

John Deere 750K Crawler Dozer Service Repair Technical Manual (TM12269)

640G-III, 648G-III, 460D,
460DG Skidder (SN. from
604614) Repair



JOHN HARE



COLLECTION

REPAIR TECHNICAL MANUAL

640G-III, 648G-III, 460D, 460DG (SN. 604614-)

TM1086 14 MAR 13 (ENGLISH)

For complete service information also see:

640, 648G-III and 460D Skidder (604614-)	TM1084
Super Caddy Oil Cleanup Procedure	CTM310
40 and 4000 Winches	CTM25
PowerTech 8.1L Diesel Engines Mechanical Fuel Systems	CTM243
PowerTech 6.8L and 8.1L Diesel Engines (Level 3 Electronic Fuel Systems with Bosch) (Level 3 Electronic Fuel)	CTM134
120 Series Hydraulic Winches	
PowerTech 4.5L & 6.8L Diesel Engines (Tier 3/Stage IIA Tier 3/Stage IIB)	



DOWNLOAD



John Deere Construction and Forestry
Printed by Belgreen



TM1086

Covers: 750K

Type: Service Manual

Language: English

Pages: 616

Format: PDF

Features: Bookmarked, searchable, printable

Compatibility: Windows/Mac/Tablet/Mobile

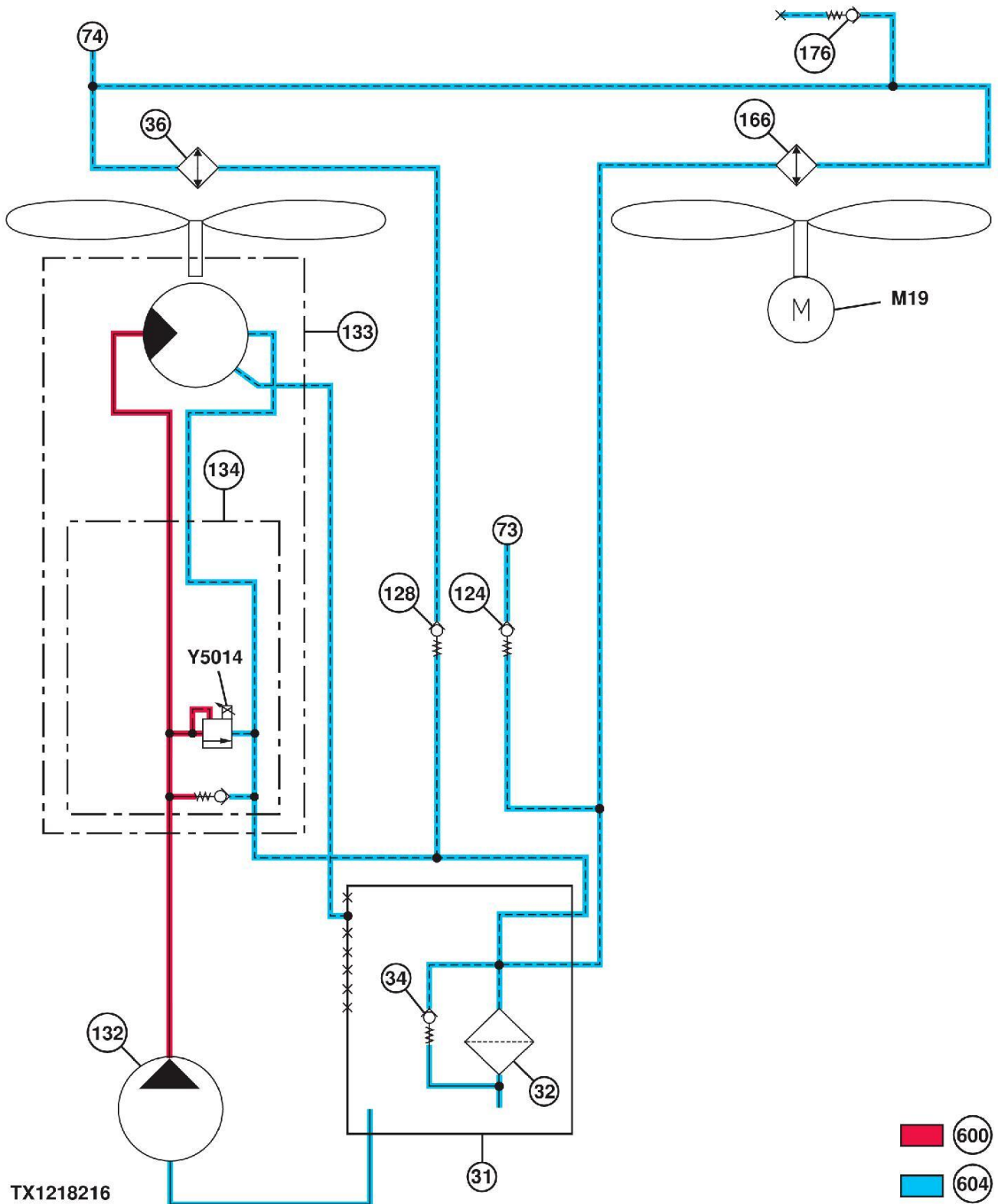
This service manual contains important information for the maintenance, troubleshooting and servicing of the **John Deere 750K Crawler Dozer Service Repair Technical Manual (TM12269)**

In this manual you will find detailed specifications, illustrations, schematics, diagrams and step-by-step procedures to properly service and diagnose the machine to the manufacturer's standards.

Contents:

- General Information
- Specifications
- Serial Number Location
- Engine Specifications
- Engine Diagnostics
- Engine Tests and Adjustments
- Engine Repair
- Power Train
- Transmission
- Axles
- Differential
- PTO
- Hydraulic System
- Electrical System
- Electrical Tests and Diagnostics
- Wiring Diagram / Schematic
- Ignition and Charging
- Steering
- Brakes
- Wheels
- Operator's Platform
- Body Panels
- Disassembly and Assembly
- Diagnostics, Tests and Adjustments
- Troubleshooting
- and much more...

Please note this manual is in **downloadable PDF format only**. If you have any questions about this product or would like to request sample pages, please contact us and reference the product name or SKU.



TX1218216-UN: Fan Drive Hydraulic System Schematic (with auxiliary oil cooler)

LEGEND:

31-Hydraulic Oil Tank

32-Return Filter

34-Filter Bypass

36-Hydraulic Oil Cooler

73-From Right Control Valve (4-spool)

74-From Left Control Valve (5-spool)

124-Hydraulic Oil Cooler Bypass Valve

128-Restriction Valve

132-Fan Drive Pump

133-Fan Drive Motor

134-Fan Speed Control Valve

166-Auxiliary Oil Cooler

176-Processor Return Oil Restriction Valve

600-High-Pressure Oil

604-Return Oil

M19-Auxiliary Oil Cooler Fan Motor

Y5014-Variable Speed Fan Solenoid



Thank you very much
for your reading.
Please click here
to get more information.