

# John Deere 750 Excavator Service Repair Technical Manual (tm1810)

## 670G, 670GP, 672G and 672GP Motor Graders Repair



(PIN: 1DW670G\_\_C678818—680877;  
PIN: 1DW670G\_\_D678818—680877;  
PIN: 1DW672G\_\_C678818—680877;  
PIN: 1DW672G\_\_D678818—680877;  
PIN: 1JZ672G\_\_C003005—003006)

JOHN HARE



COLLECTION

### REPAIR MANUAL 670G, 670GP, 672G and 672GP Motor Graders

(PIN: 1DW670G\_\_C678818—680877;  
PIN: 1DW670G\_\_D678818—680877;  
PIN: 1DW672G\_\_C678818—680877;  
PIN: 1DW672G\_\_D678818—680877;  
PIN: 1JZ672G\_\_C003005—003006)



For complete service information

670G, 670GP, 672G and 672GP Motor Graders Operators Manual.....	OMT363022X19
670G, 670GP, 672G and 672GP Motor Graders Operation and Test.....	TM14075X19
TeamMate™ II 1400 Series Inboard Planetary Axles.....	dtm138619
DF180 Series Powershift Transmission Repair Manual.....	dtm308
PowerTech 4.5L & 6.8L Diesel Engines Tier 1/Stage I, Tier 2/Stage II, Tier 3/Stage IIIA, Tier 3/Stage IIA, Tier 3/Stage III, (Base Engine).....	dtm104
PowerTech 4045, 6068 Diesel Engine Level 14 Electronic Fuel System with the Denso High Pressure Common Rail (HPCR) Level 14 ECU.....	dtm320
PowerTech 9.0L OEM Diesel Engines 6090 Tier 3 / Stage IIIA Emissions Certified Base Engine Repair.....	CTM400
PowerTech 6090 Diesel Engine Level 14 Electronic Fuel System with the Denso High Pressure Common Rail (HPCR) Level 14 ECU.....	dtm385
Hydraulic Cylinders.....	dtm120519

Worldwide Construction and  
Forestry Division

**Type:** Service Manual

**Language:** English

**Pages:** 704

**Format:** PDF

**Features:** Bookmarked, searchable, printable

**Compatibility:** Windows/Mac/Tablet/Mobile

This service manual contains important information for the maintenance, troubleshooting and servicing of the **John Deere 750 Excavator Service Repair Technical Manual (tm1810)**

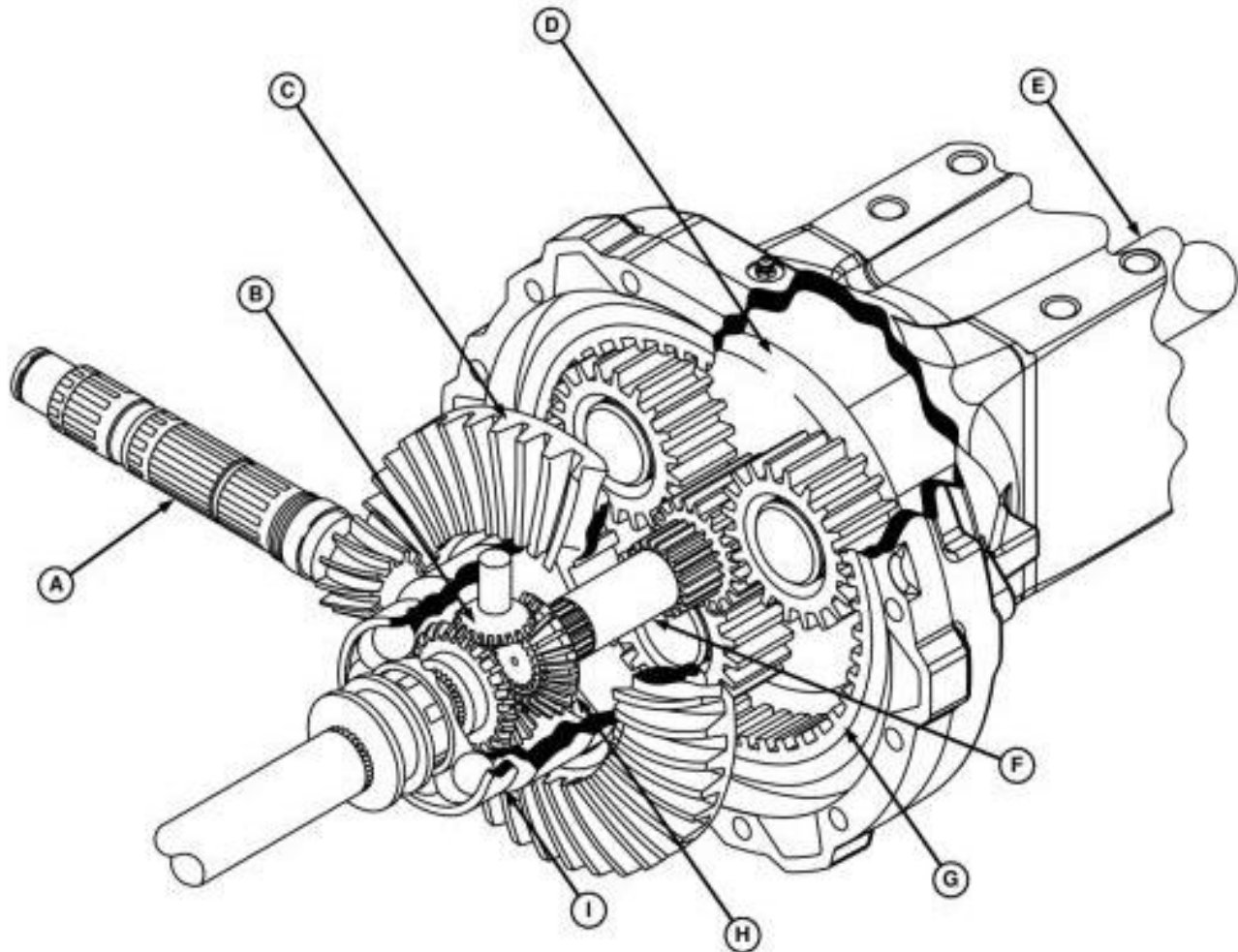
In this manual you will find detailed specifications, illustrations, schematics, diagrams and step-by-step procedures to properly service and diagnose the machine to the manufacturer's standards.

**Contents:**

- General Information
- Specifications
- Serial Number Location
- Engine Specifications
- Engine Diagnostics
- Engine Tests and Adjustments
- Engine Repair
- Power Train
- Transmission
- Axles
- Differential
- PTO
- Hydraulic System
- Electrical System
- Electrical Tests and Diagnostics
- Wiring Diagram / Schematic
- Ignition and Charging
- Steering
- Brakes
- Wheels
- Operator's Platform
- Body Panels
- Disassembly and Assembly
- Diagnostics, Tests and Adjustments
- Troubleshooting
- and much more...

Please note this manual is in **downloadable PDF format only**. If you have any questions about this product or would like to request sample pages, please contact us and reference the product name or SKU.

## Differential Power Flow



### Differential Power Flow

#### LEGEND:

A	Differential Drive Shaft
B	Bevel Pinion
C	Differential Ring Gear
D	Planetary Carrier Assembly
E	Axle Shaft
F	Final Drive Pinion Shaft
G	Final Drive Ring Gear
H	Bevel Gear
I	Differential Carrier

Power from differential drive shaft (A) is transmitted through the differential assembly to final drive pinion shaft (F). The final drive pinion shaft is in mesh with the three small gears on planetary carrier assembly (D). These small gears walk around the inside of final drive ring gear (G). The result is rotation of axle shaft (E).

The differential assembly is a ring gear (C) bolted to carrier (I). Inside the carrier are two bevel gears (H) and four bevel pinions (B).



Thank you very much  
for your reading.  
Please click here  
to get more information.