

John Deere 753J, 759J (SN.-220452) Tracked Feller Buncher Diagnostic & Test Service Manual (TM10510)

**S760 STS™, S770 STS™,
S780 STS™, S785 STS™,
and S790 STS™
Combine Repair**



JOHN HARE



COLLECTION

REPAIR TECHNICAL MANUAL

**S760 STS™, S770 STS™, S780 STS™, S785 STS™,
and S790 STS™ Combines**

TM140819 01DEC18 (ENGLISH)



John Deere Harvester Works

Covers: 753J,220452),759J,220452)

Type: Service Manual

Language: English

Pages: 677

Format: PDF

Features: Bookmarked, searchable, printable

Compatibility: Windows/Mac/Tablet/Mobile

This service manual contains important information for the maintenance, troubleshooting and servicing of the **John Deere 753J, 759J (SN.-220452) Tracked Feller Buncher Diagnostic & Test Service Manual (TM10510)**

In this manual you will find detailed specifications, illustrations, schematics, diagrams and step-by-step procedures to properly service and diagnose the machine to the manufacturer's standards.

Contents:

- General Information
- Specifications
- Serial Number Location
- Engine Specifications
- Engine Diagnostics
- Engine Tests and Adjustments
- Engine Repair
- Power Train
- Transmission
- Axles
- Differential
- PTO
- Hydraulic System
- Electrical System
- Electrical Tests and Diagnostics
- Wiring Diagram / Schematic
- Ignition and Charging
- Steering
- Brakes
- Wheels
- Operator's Platform
- Body Panels
- Disassembly and Assembly
- Diagnostics, Tests and Adjustments
- Troubleshooting
- and much more...

Please note this manual is in **downloadable PDF format only**. If you have any questions about this product or would like to request sample pages, please contact us and reference the product name or SKU.

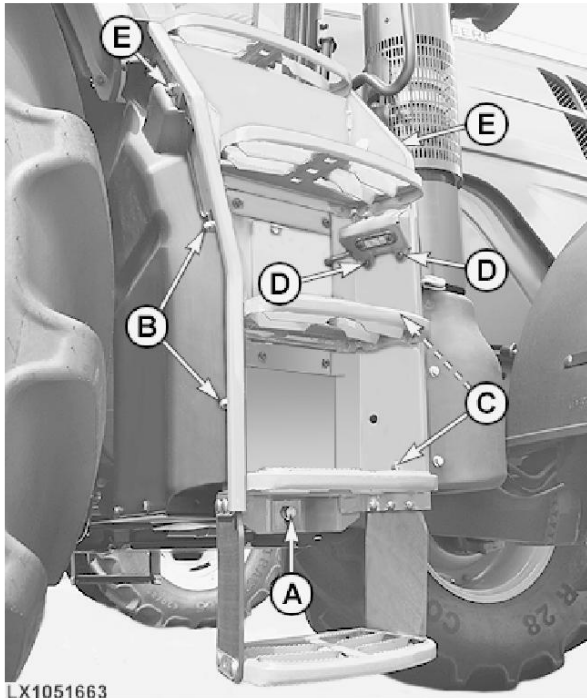
Electrical System - Remove and Install Battery

Remove the access step:

1. Park the tractor on a firm, level surface and engage the park lock. Remove screws (A), (B), (C) and (D). Disconnect the access step lighting at the connector and remove it. Only loosen screws (E), do not remove them.

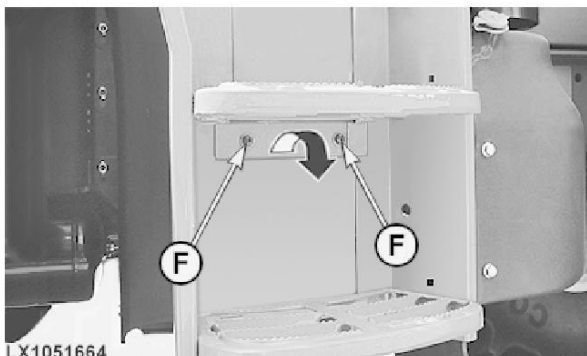
NOTE:

Screws (E) should only be loosened so that the access step can be moved outward in the lower area.



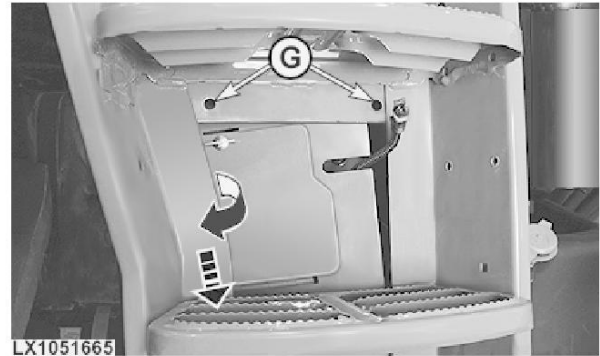
LX1051663
LX1051663-UN: -

2. Remove screws (F) and plate holder.



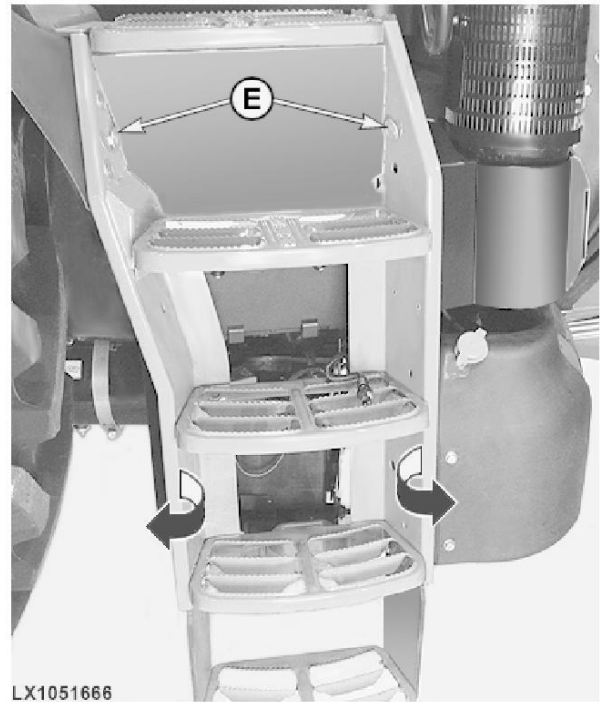
LX1051664
LX1051664-UN: -

3. Remove screws (G) and pull the access step outward in the lower area. First lift the panel to the left, take the cable with the plug out of the notch and then remove the panel from the bottom.



LX1051665
LX1051665-UN: -

4. Remove screws (E) and lift off the access step.



LX1051666
LX1051666-UN: -



Thank you very much
for your reading.
Please click here
to get more information.