

John Deere 753J, 759J Tracked Harvester (SN.from C220453) Diagnostic & Test Service Manual (TM12387)

315SL Backhoe Loader
Diagnostic



OPERATION AND TEST MANUAL

Backhoe Loaders models 315SL (PIN: 1T0315SLC273920-;
1T0315SL**D273920-)**

TM13301X19 16 FEB 16 (ENGLISH)

For complete service information also see:

315SL Backhoe Loader Repair	TM13302X19
JDLink (MTG) Technical Manual	TM114519
PowerTech E 4.5 and 6.8L Diesel Engines Level 16 Electronic Fuel System With Denso HPCR	CTM502
PowerTech 4.5L and 6.8L Diesel Engines Level 12 Electronic Fuel System With Denso HPCR	CTM502
120 Series Hydraulic System	
PowerTech 4.5L & 6.8L Diesel Engines Tier 3/Stage IIIA, Tier 3/Stage IIIB	

PDF  **DOWNLOAD** 

John Deere Construction and Forestry
Printed by Belgreen

TM13301X19

Covers: 753J,1T0753JX**C220453(,759J,1T0759JX**C220453

Type: Service Manual

Language: English

Pages: 684

Format: PDF

Features: Bookmarked, searchable, printable

Compatibility: Windows/Mac/Tablet/Mobile

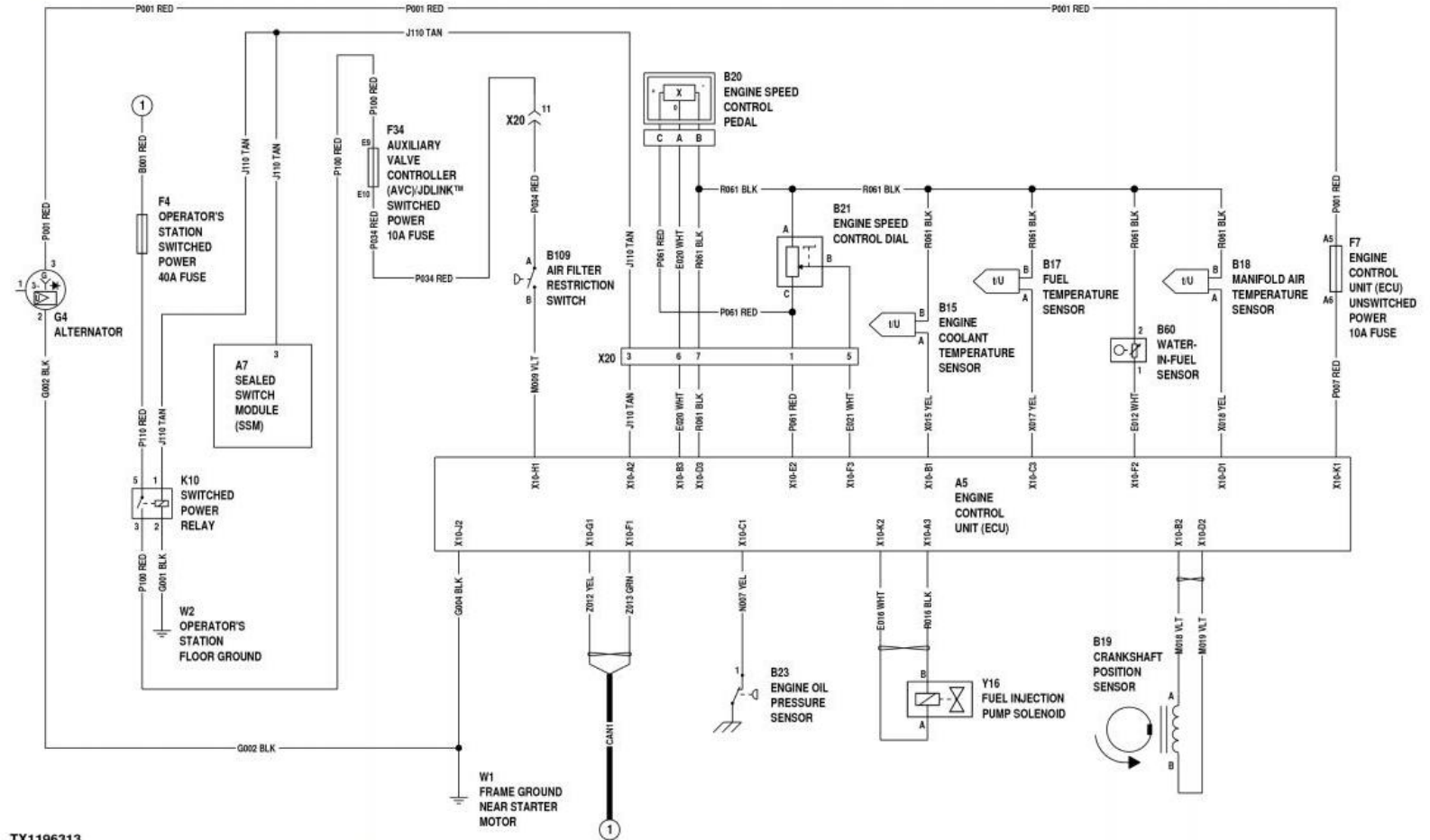
This service manual contains important information for the maintenance, troubleshooting and servicing of the **John Deere 753J, 759J Tracked Harvester (SN.from C220453) Diagnostic & Test Service Manual (TM12387)**

In this manual you will find detailed specifications, illustrations, schematics, diagrams and step-by-step procedures to properly service and diagnose the machine to the manufacturer's standards.

Contents:

- General Information
- Specifications
- Serial Number Location
- Engine Specifications
- Engine Diagnostics
- Engine Tests and Adjustments
- Engine Repair
- Power Train
- Transmission
- Axles
- Differential
- PTO
- Hydraulic System
- Electrical System
- Electrical Tests and Diagnostics
- Wiring Diagram / Schematic
- Ignition and Charging
- Steering
- Brakes
- Wheels
- Operator's Platform
- Body Panels
- Disassembly and Assembly
- Diagnostics, Tests and Adjustments
- Troubleshooting
- and much more...

Please note this manual is in **downloadable PDF format only**. If you have any questions about this product or would like to request sample pages, please contact us and reference the product name or SKU.



TX1196313 Engine Control Unit (ECU) Circuit Theory of Operation Schematic (engine model 404577096)



Thank you very much
for your reading.
Please click here
to get more information.