

John Deere 755D Crawler Loader Diagnostic, Operation and Test Service Manual (tm2366)

755D Crawler Loader Operation and Test

OPERATION AND TEST MANUAL

Loader models 755D

TM2366 07 NOV 07 (ENGLISH)

For complete service information also see:

755D Crawler Loader Repair tm2367

Alternators and Starting Motors ctm77

PowerTech 4045, 6068 Diesel Engine
Level 14 Electronic Fuel System with the
Denso High Pressure Common Rail
(HPCR) Level 14 ECU CTM320

PowerTech 4.5L & 6.8L Diesel Engines
Tier 1/Stage I, Tier 2/Stage II
3/Stage IIIA, Tier
III, (Base Engine) CTM104

Hydrostatic Pump

Hydrostatic Motor Repair

Ultrasonic Undercarriage
Gauge CTM10001

John Deere Construction and Forestry

Covers: 755D

Type: Service Manual

Language: English

Pages: 713

Format: PDF

Features: Bookmarked, searchable, printable

Compatibility: Windows/Mac/Tablet/Mobile

This service manual contains important information for the maintenance, troubleshooting and servicing of the **John Deere 755D Crawler Loader Diagnostic, Operation and Test Service Manual (tm2366)**

In this manual you will find detailed specifications, illustrations, schematics, diagrams and step-by-step procedures to properly service and diagnose the machine to the manufacturer's standards.

Contents:

- General Information
- Specifications
- Serial Number Location
- Engine Specifications
- Engine Diagnostics
- Engine Tests and Adjustments
- Engine Repair
- Power Train
- Transmission
- Axles
- Differential
- PTO
- Hydraulic System
- Electrical System
- Electrical Tests and Diagnostics
- Wiring Diagram / Schematic
- Ignition and Charging
- Steering
- Brakes
- Wheels
- Operator's Platform
- Body Panels
- Disassembly and Assembly
- Diagnostics, Tests and Adjustments
- Troubleshooting
- and much more...

Please note this manual is in **downloadable PDF format only**. If you have any questions about this product or would like to request sample pages, please contact us and reference the product name or SKU.

Action:**LEGEND:**

- 1 Hour Meter
- 2 Wheel Indicator

Hour Meter Gauge

Run engine at slow idle.

SSS:

Does wheel indicator move?

Result:

YES:Go to next check.

NO:Inspect and repair wiring or hour meter. [See System Functional Schematic and Section Legend.](#) (Group 9015-10.)

(6) Engine Speed Control Switch Check**Action:****LEGEND:**

- 1 Engine Speed Control Knob
- 2 Horn Switch

Horn Switch

Run engine and turn knob (1) to minimum slow idle position.

SSS:

Is engine speed at 900-930 rpm?

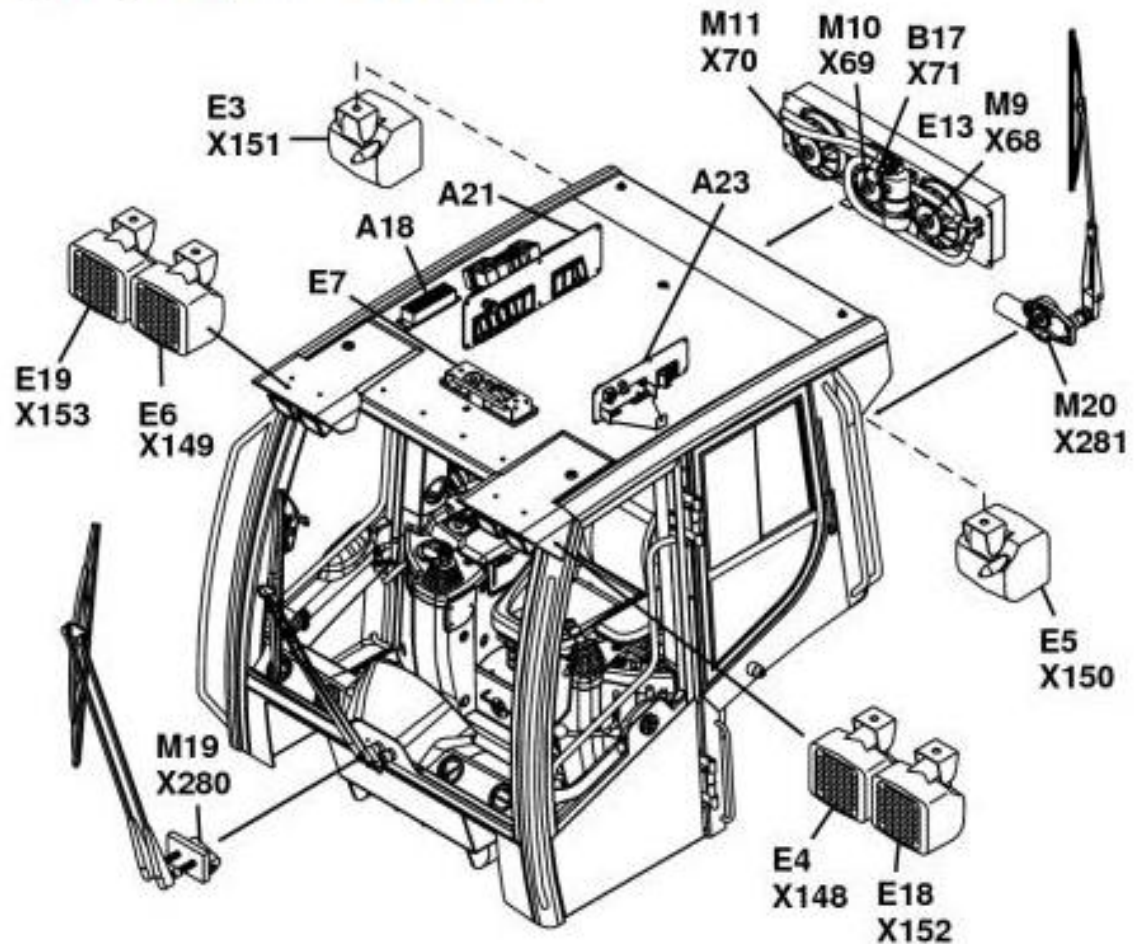
Slowly turn knob to maximum fast idle position.

SSS:

Is engine speed at 1885-1915 rpm?

SSS:

Cab Harness (W12) Component Location



TX1015391

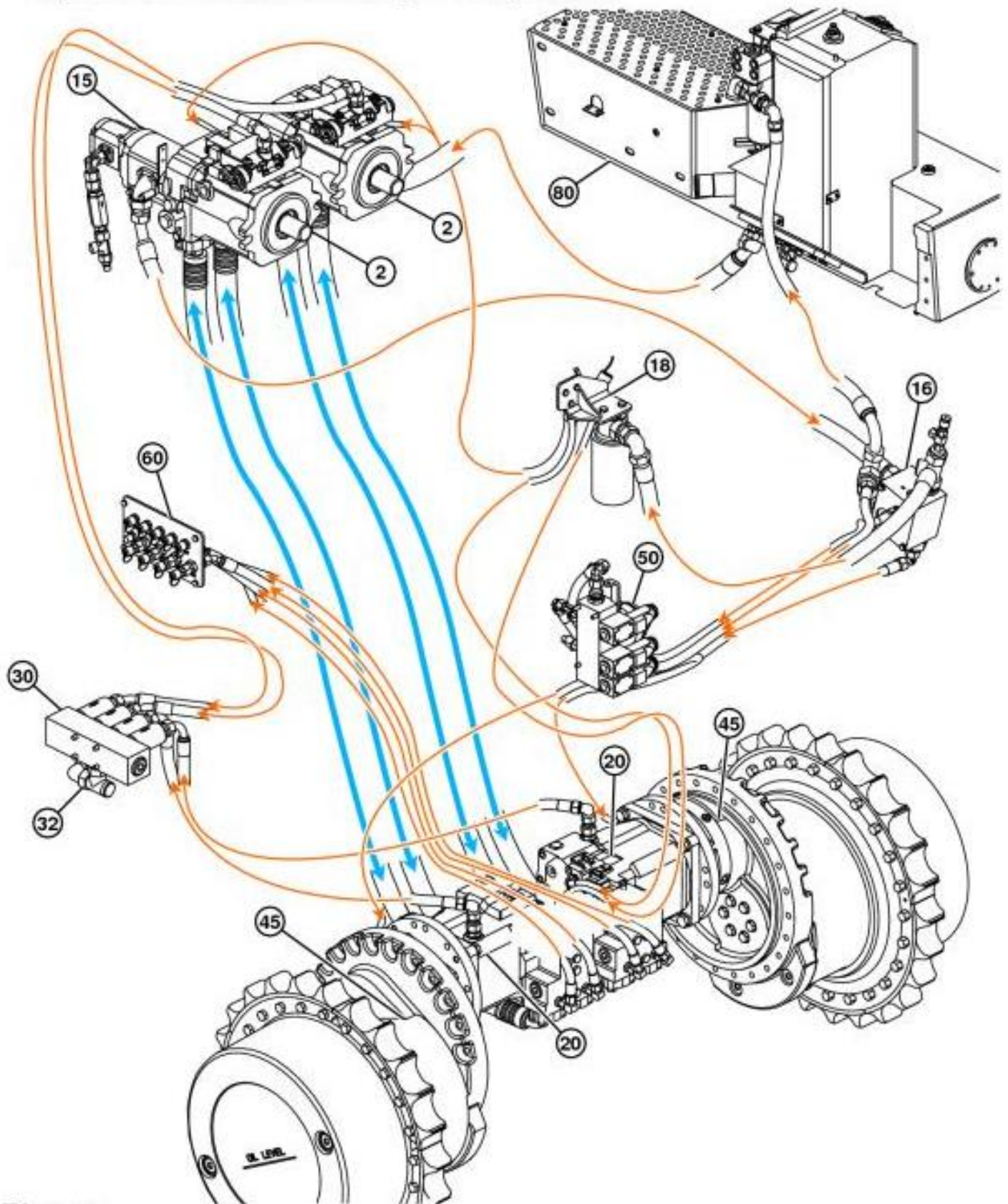
Cab Harness (W12) Component Location

LEGEND:

A18	Fuse Panel Overhead Console—Right
A21	Overhead Console—Right
A23	Overhead Console—Left
B17	Air Conditioner High/Low Pressure Switch
E3	Work Light—Cab Right Rear
E4	Work Light—Cab Left Front Lower
E5	Work Light—Cab Left Rear
E6	Work Light—Cab Right Front Lower
E7	Dome Light
E13	Air Conditioner Condenser Fan Unit
E18	Work Light—Cab Left Front Upper
E19	Work Light—Cab Right Front Upper
M9	Condenser Fan Motor—Left
M10	Condenser Fan Motor—Middle
M11	Condenser Fan Motor—Right
M19	Windshield Wiper Front
M20	Windshield Wiper Rear
X68	2-Pin Connector to Condenser Fan Motor Left (M9)
X69	2-Pin Connector to Condenser Fan Motor Middle (M10)
X70	2-Pin Connector to Condenser Fan Motor Right (M11)
X71	2-Pin Connector to Air Conditioner High/Low Pressure Switch (B17)
X148	2-Pin Connector to Work Light Cab Left Front (E4)
X149	2-Pin Connector to Work Light Cab Right Front (E6)
X150	2-Pin Connector to Work Light Cab Left Rear (E5)
X151	2-Pin Connector to Work Light Cab Right Rear (E3)
X152	2-Pin Connector to Work Light Cab Left Front (E18)
X153	2-Pin Connector to Work Light Cab Right Rear (E19)
X280	6-Pin Connector to Windshield Wiper Front
X281	4-Pin Connector to Windshield Wiper Rear

Group 05 - Theory of Operation

Hydrostatic Transmission System Operation



TX1010929

Hydrostatic Transmission Oil Flow

LEGEND:

2 Hydrostatic Pump

Action:**LEGEND:**

- 1 Hour Meter
- 2 Wheel Indicator

Hour Meter Gauge

Run engine at slow idle.

SSS:

Does wheel indicator move?

Result:

YES:Go to next check.

NO:Inspect and repair wiring or hour meter. [See System Functional Schematic and Section Legend.](#) (Group 9015-10.)

(6) Engine Speed Control Switch Check**Action:****LEGEND:**

- 1 Engine Speed Control Knob
- 2 Horn Switch

Horn Switch

Run engine and turn knob (1) to minimum slow idle position.

SSS:

Is engine speed at 900-930 rpm?

Slowly turn knob to maximum fast idle position.

SSS:

Is engine speed at 1885-1915 rpm?

SSS:



Thank you very much
for your reading.
Please click here
to get more information.