

John Deere 755K Crawler Loader Diagnostic, Operation and Test Service Manual (TM12049)

755K Crawler Loader Diagnostic

OPERATION AND TEST MANUAL

Loader models 755K

TM12049 10 MAR 16 (ENGLISH)

For complete service information also see:

TM12052 - 755K Crawler Loader	TM12052
JDLink (MTG) Technical Manual	TM114519
185 Series Hydraulic Cylinders	CTM114919
120 Series Hydraulic Cylinders	CTM114319
125 Series Hydraulic Cylinders	CTM109319
6068 PowerTech OEM Diesel Engines Above 130kW (174 hp) (Interim 4/Stage III B plat	CTM104719

PDF



DOWNLOAD



John Deere Construction and Forestry

Type: Service Manual

Language: English

Pages: 1040

Format: PDF

Features: Bookmarked, searchable, printable

Compatibility: Windows/Mac/Tablet/Mobile

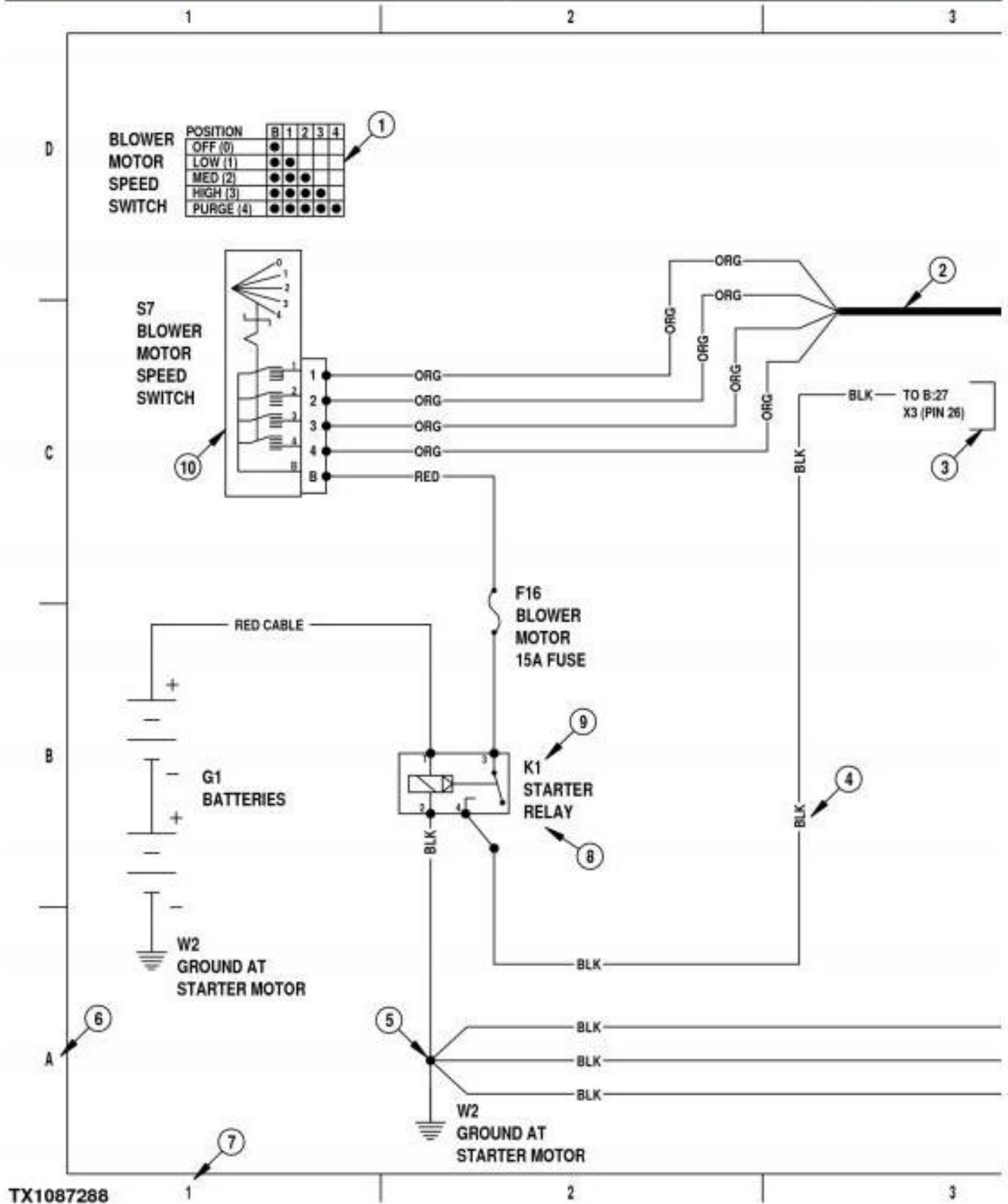
This service manual contains important information for the maintenance, troubleshooting and servicing of the **John Deere 755K Crawler Loader Diagnostic, Operation and Test Service Manual (TM12049)**

In this manual you will find detailed specifications, illustrations, schematics, diagrams and step-by-step procedures to properly service and diagnose the machine to the manufacturer's standards.

Contents:

- General Information
- Specifications
- Serial Number Location
- Engine Specifications
- Engine Diagnostics
- Engine Tests and Adjustments
- Engine Repair
- Power Train
- Transmission
- Axles
- Differential
- PTO
- Hydraulic System
- Electrical System
- Electrical Tests and Diagnostics
- Wiring Diagram / Schematic
- Ignition and Charging
- Steering
- Brakes
- Wheels
- Operator's Platform
- Body Panels
- Disassembly and Assembly
- Diagnostics, Tests and Adjustments
- Troubleshooting
- and much more...

Please note this manual is in **downloadable PDF format only**. If you have any questions about this product or would like to request sample pages, please contact us and reference the product name or SKU.



System Functional Schematic Diagram

LEGEND:

- 1 Continuity Chart
- 2 Wire Bundle
- 3 Routing Location Information
- 4 Wire Identification
- 5 Wire Splice



Thank you very much
for your reading.
Please click here
to get more information.