

# John Deere 75C RTS Excavator Service Repair Technical Manual (tm2358)

310L Backhoe Loader



**Covers:** 75C

**Type:** Service Manual

**Language:** English

**Pages:** 494

**Format:** PDF

**Features:** Bookmarked, searchable, printable

**Compatibility:** Windows/Mac/Tablet/Mobile

This service manual contains important information for the maintenance, troubleshooting and servicing of the **John Deere 75C RTS Excavator Service Repair Technical Manual (tm2358)**

In this manual you will find detailed specifications, illustrations, schematics, diagrams and step-by-step procedures to properly service and diagnose the machine to the manufacturer's standards.

**Contents:**

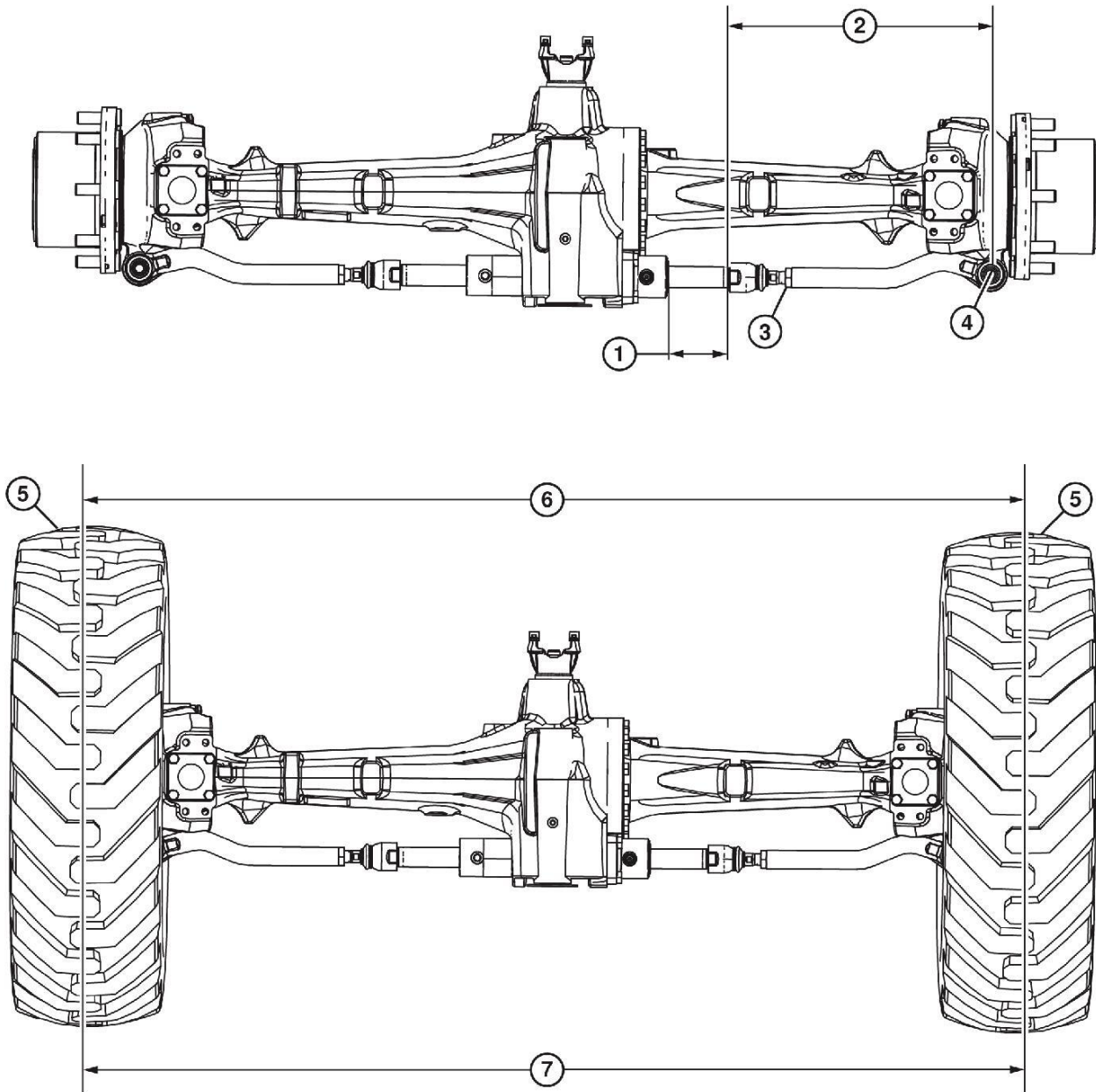
- General Information
- Specifications
- Serial Number Location
- Engine Specifications
- Engine Diagnostics
- Engine Tests and Adjustments
- Engine Repair
- Power Train
- Transmission
- Axles
- Differential
- PTO
- Hydraulic System
- Electrical System
- Electrical Tests and Diagnostics
- Wiring Diagram / Schematic
- Ignition and Charging
- Steering
- Brakes
- Wheels
- Operator's Platform
- Body Panels
- Disassembly and Assembly
- Diagnostics, Tests and Adjustments
- Troubleshooting
- and much more...

Please note this manual is in **downloadable PDF format only**. If you have any questions about this product or would like to request sample pages, please contact us and reference the product name or SKU.

## Tracking Angle Check and Adjust

### NOTE:

The purpose of this procedure is to align the planetary drive housings perpendicular to the axle. Wheels should point straight forward, with no toe-in or toe-out.



### 1. TX1106700

TX1106700-UN: Tracking Angle Adjustment

#### LEGEND:

**1-Steering Cylinder Rod Dimension**

**2-Tie Rod Dimension**

**3-Jam Nut**

**4-Tie Rod End Ball Joint**

**5-Tire (2 used)**

**6-Wheel-to-Wheel Distance (rear of tire)**

**7-Wheel-to-Wheel Distance (front of tire)**

Center steering cylinder rod so dimension (1) is equal on both sides.

2. Loosen tie rod jam nut (4).
3. Adjust tie rod length so tie rod dimension (2) between end of steering cylinder rod and center of tie rod ball joint (4) are equal on both sides of axle.



Thank you very much  
for your reading.  
Please click here  
to get more information.