

John Deere 75G (FT4) Compact Excavator Service Repair Technical Manual (TM12876)

75G Excavator

REPAIR TECHNICAL MANUAL

FT4 models 75G (1FF075GX_J015001-)

TM12876 05MAR15 (ENGLISH)

For complete service information also see:

75G Excavator Diagnostic

TM12873



John Deere Construction and Forestry

Covers: 75G,1FF075GX_J015001-)

Type: Service Manual

Language: English

Pages: 521

Format: PDF

Features: Bookmarked, searchable, printable

Compatibility: Windows/Mac/Tablet/Mobile

This service manual contains important information for the maintenance, troubleshooting and servicing of the **John Deere 75G (FT4) Compact Excavator Service Repair Technical Manual (TM12876)**

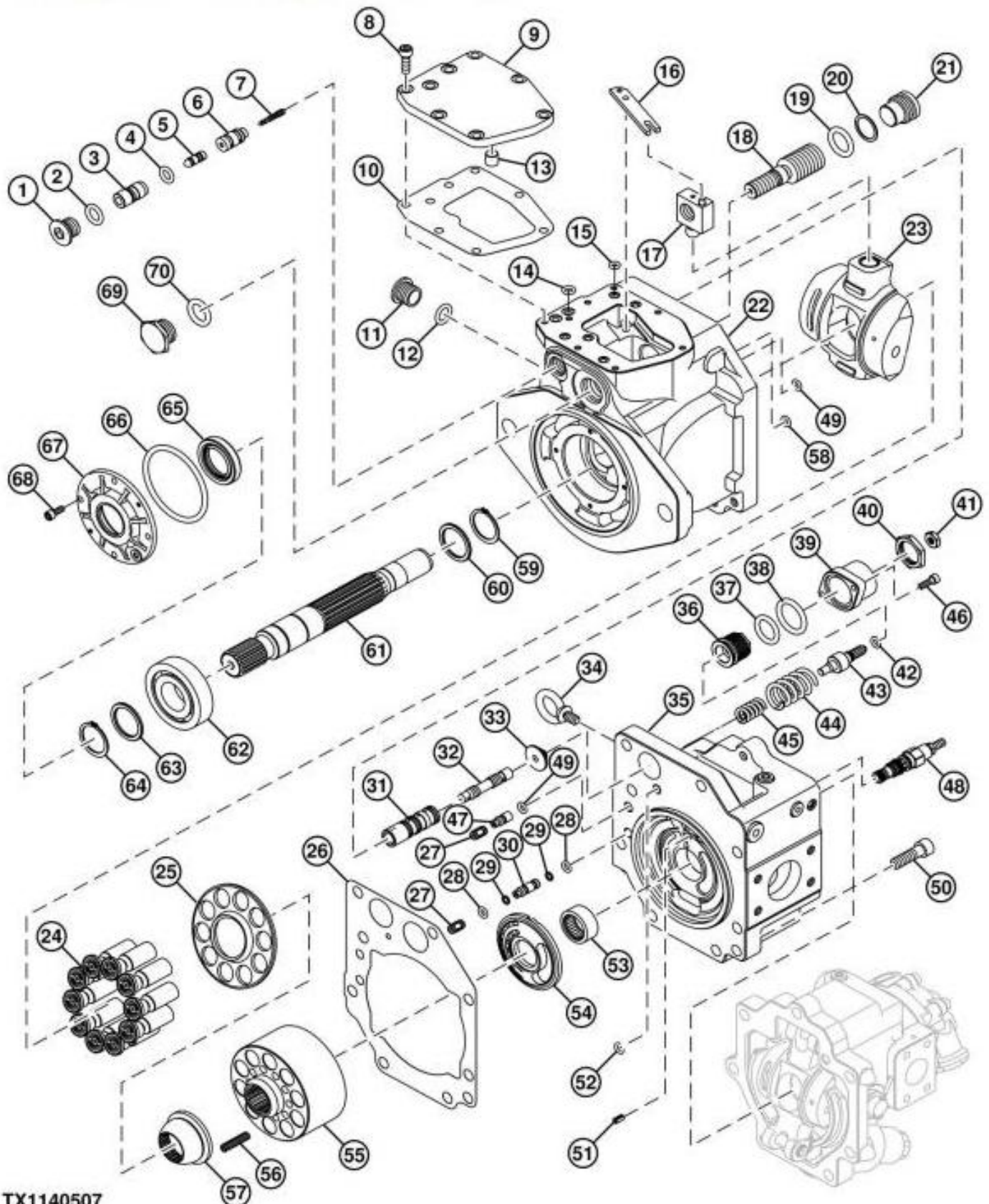
In this manual you will find detailed specifications, illustrations, schematics, diagrams and step-by-step procedures to properly service and diagnose the machine to the manufacturer's standards.

Contents:

- General Information
- Specifications
- Serial Number Location
- Engine Specifications
- Engine Diagnostics
- Engine Tests and Adjustments
- Engine Repair
- Power Train
- Transmission
- Axles
- Differential
- PTO
- Hydraulic System
- Electrical System
- Electrical Tests and Diagnostics
- Wiring Diagram / Schematic
- Ignition and Charging
- Steering
- Brakes
- Wheels
- Operator's Platform
- Body Panels
- Disassembly and Assembly
- Diagnostics, Tests and Adjustments
- Troubleshooting
- and much more...

Please note this manual is in **downloadable PDF format only**. If you have any questions about this product or would like to request sample pages, please contact us and reference the product name or SKU.

Pump 1 and 2 Disassemble and Assemble



TX1140507

Pump 1 and 2 Disassemble

LEGEND:

- 1 Plug
- 2 O-Ring
- 3 Piston Case



Thank you very much
for your reading.
Please click here
to get more information.