


John Deere 762B Scraper (SN.791764-) Diagnostic, Operation and Test Service Manual (tm1567)


344G and 444G 4WD
Loader Repair




REPAIR TECHNICAL MANUAL
4WD Loaders models 344G, 444G
TM1558 22 FEB 05 (ENGLISH)

For complete service information also see:

344G, 444G 4WD Loader Diagnostic	TM1557
Series 300, 3029, 4039, 4045, 6059 and 6068 Diesel Engines	CTM8
Alternators and Starting Motors	CTM77
PowerTech 4.5L & 6.8L Diesel Engines Tier 1/Stage I, Tier 2/Stage II, Tier 3/Stage IIIA, Tier 3/Stage IIIB	CTM104

PDF  **DOWNLOAD** 

John Deere Construction and Forestry
Printed by Belgreen



TM1558

Covers: 762B,791764)

Type: Service Manual

Language: English

Pages: 537

Format: PDF

Features: Bookmarked, searchable, printable

Compatibility: Windows/Mac/Tablet/Mobile

This service manual contains important information for the maintenance, troubleshooting and servicing of the **John Deere 762B Scraper (SN.791764-) Diagnostic, Operation and Test Service Manual (tm1567)**

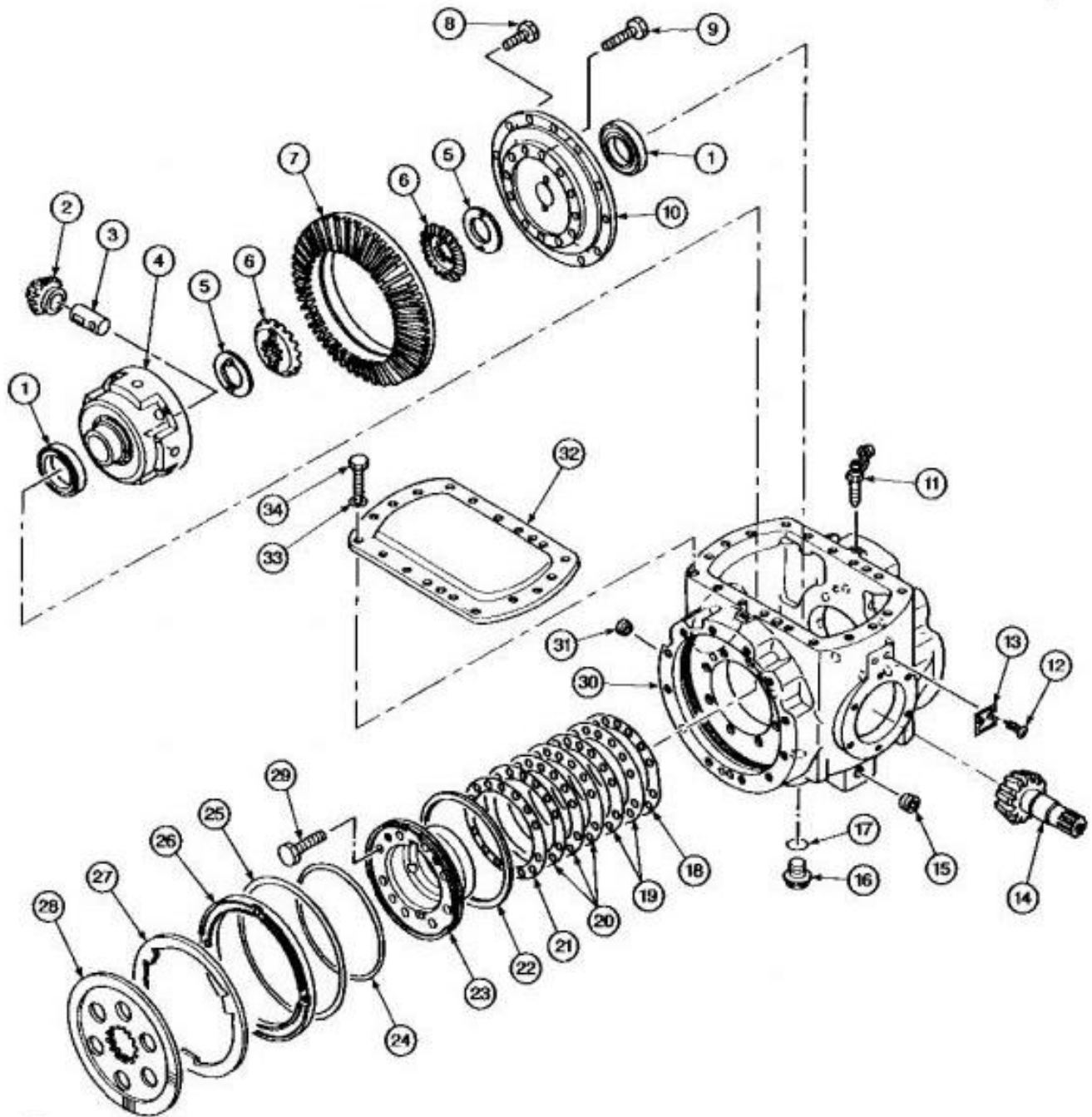
In this manual you will find detailed specifications, illustrations, schematics, diagrams and step-by-step procedures to properly service and diagnose the machine to the manufacturer's standards.

Contents:

- General Information
- Specifications
- Serial Number Location
- Engine Specifications
- Engine Diagnostics
- Engine Tests and Adjustments
- Engine Repair
- Power Train
- Transmission
- Axles
- Differential
- PTO
- Hydraulic System
- Electrical System
- Electrical Tests and Diagnostics
- Wiring Diagram / Schematic
- Ignition and Charging
- Steering
- Brakes
- Wheels
- Operator's Platform
- Body Panels
- Disassembly and Assembly
- Diagnostics, Tests and Adjustments
- Troubleshooting
- and much more...

Please note this manual is in **downloadable PDF format only**. If you have any questions about this product or would like to request sample pages, please contact us and reference the product name or SKU.

Disassemble Standard Differential



TRC/AP (C)

Standard Differential-Exploded View

LEGEND:

1	Bearing (2 used)
2	Bevel Pinion (4 used)
3	Pin (4 used)
4	Gear Case
5	Thrust Plate (2 used)
6	Bevel Gear (2 used)
7	Bevel Gear
8	Cap Screw (12 used)
9	Cap Screw (12 used)
10	Flange
11	Bleed Valve (2 used)
12	Cap Screw (2 used)
13	Name Plate
14	Pinion Shaft



Thank you very much
for your reading.
Please click here
to get more information.