

John Deere 770G, 770GP, 772G, 772GP (SN.634754◆◆◆◆◆◆◆◆656507) Motor Grader Diagnostic Service Manual (TM12140)

324J 4WD Loader Repair



REPAIR TECHNICAL MANUAL
4WD Loaders models 324J
TM12586 04 MAR 16 (ENGLISH)

For complete service information also see:

324J 4WD Loader Diagnostic	TM12585
PowerTech E 2.4L & 3.0L Diesel Engines	CTM101019

  **DOWNLOAD** 

John Deere Construction and Forestry
Printed by Belgreen



TM12586

Covers: 634754-656507);,770G,770GP,772G,772GP

Type: Service Manual

Language: English

Pages: 1796

Format: PDF

Features: Bookmarked, searchable, printable

Compatibility: Windows/Mac/Tablet/Mobile

This service manual contains important information for the maintenance, troubleshooting and servicing of the **John Deere 770G, 770GP, 772G, 772GP (SN.634754◆◆◆◆◆◆656507) Motor Grader Diagnostic Service Manual (TM12140)**

In this manual you will find detailed specifications, illustrations, schematics, diagrams and step-by-step procedures to properly service and diagnose the machine to the manufacturer's standards.

Contents:

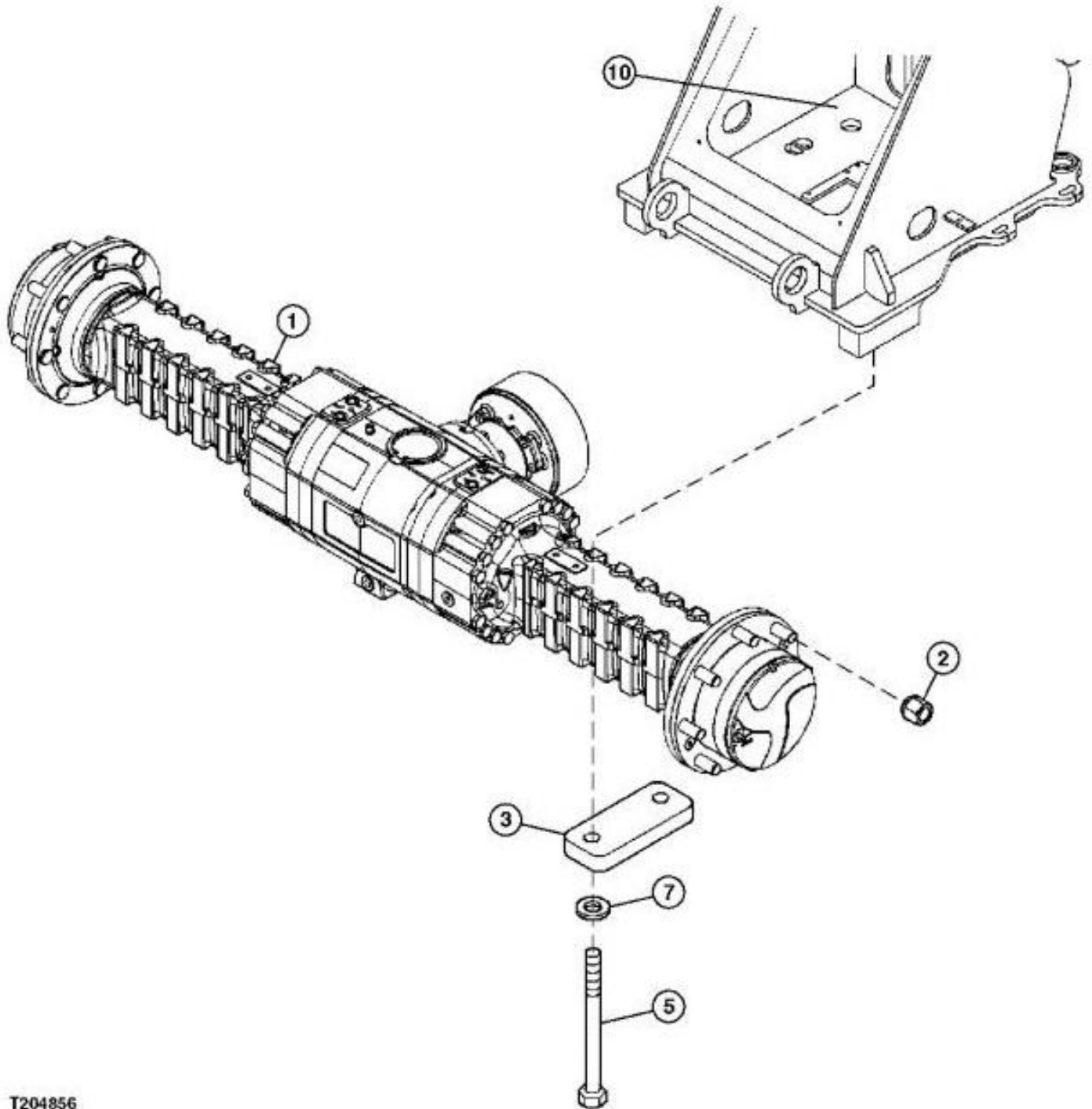
- General Information
- Specifications
- Serial Number Location
- Engine Specifications
- Engine Diagnostics
- Engine Tests and Adjustments
- Engine Repair
- Power Train
- Transmission
- Axles
- Differential
- PTO
- Hydraulic System
- Electrical System
- Electrical Tests and Diagnostics
- Wiring Diagram / Schematic
- Ignition and Charging
- Steering
- Brakes
- Wheels
- Operator's Platform
- Body Panels
- Disassembly and Assembly
- Diagnostics, Tests and Adjustments
- Troubleshooting
- and much more...

Please note this manual is in **downloadable PDF format only**. If you have any questions about this product or would like to request sample pages, please contact us and reference the product name or SKU.

Group 0200 - Removal and Installation

Front Axle Remove and Install

[1] -



T204856

Front Axle

LEGEND:

1 Front Axle



Thank you very much
for your reading.
Please click here
to get more information.