

# John Deere 770G, 770GP, 772G, 772GP (SN. C680878-,D680878-) Motor Graders Repair Manual (TM14251X19)

## 770G, 770GP, 772G and 772GP Motor Graders Repair

(PIN: 1DW770G\_\_C680878—;  
PIN: 1DW770G\_\_D680878—;  
PIN: 1DW772G\_\_C680878—;  
PIN: 1DW772G\_\_D680878—;  
PIN: 1JZ772G\_\_C003007—)



JOHN HARE



COLLECTION

### REPAIR TECHNICAL MANUAL

#### 770G, 770GP, 772G and 772GP Motor Graders

(PIN: 1DW770G\_\_C680878—; PIN: 1DW770G\_\_D680878—;  
PIN: 1DW772G\_\_C680878—; PIN: 1DW772G\_\_D680878—;  
PIN: 1JZ772G\_\_C003007—)



For complete service information:

770G, 770GP, 772G and 772GP Motor Graders Operation and Test.....	TM14250X19
TeamMate™ II 1400 Series Inboard Planetary Axles.....	ctm138619
DF180 Series Powershift Transmission Repair Manual.....	ctm308
PowerTech 9.0L OEM Diesel Engines 6090 Tier 3 / Stage IIIA Emissions Certified Base Engine Repair .....	CTM400
PowerTech 6090 Diesel Engine Level 14 Electronic Fuel System with the Denso High Pressure Common Rail (HFPCR) Level 14 ECU.....	ctm385
Hydraulic Cylinders.....	ctm120519

Worldwide Construction and Forestry Division

Covers: 770G,770GP,1DW770G\_\_,C680878-;;1DW770G\_\_,D680878-

**Type:** Service Manual

**Language:** English

**Pages:** 432

**Format:** PDF

**Features:** Bookmarked, searchable, printable

**Compatibility:** Windows/Mac/Tablet/Mobile

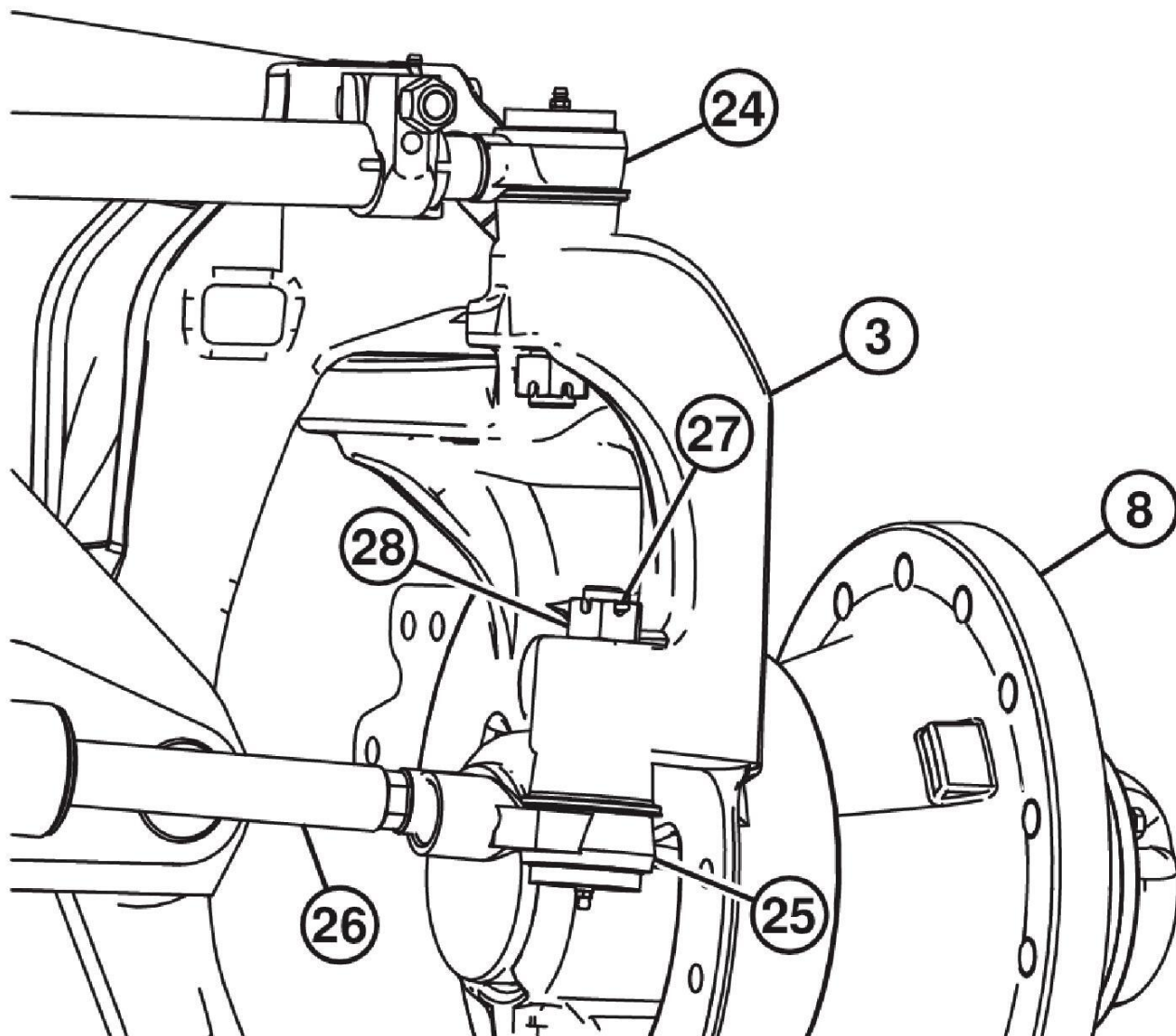
This service manual contains important information for the maintenance, troubleshooting and servicing of the **John Deere 770G, 770GP, 772G, 772GP (SN. C680878-,D680878-) Motor Graders Repair Manual (TM14251X19)**

In this manual you will find detailed specifications, illustrations, schematics, diagrams and step-by-step procedures to properly service and diagnose the machine to the manufacturer's standards.

**Contents:**

- General Information
- Specifications
- Serial Number Location
- Engine Specifications
- Engine Diagnostics
- Engine Tests and Adjustments
- Engine Repair
- Power Train
- Transmission
- Axles
- Differential
- PTO
- Hydraulic System
- Electrical System
- Electrical Tests and Diagnostics
- Wiring Diagram / Schematic
- Ignition and Charging
- Steering
- Brakes
- Wheels
- Operator's Platform
- Body Panels
- Disassembly and Assembly
- Diagnostics, Tests and Adjustments
- Troubleshooting
- and much more...

Please note this manual is in **downloadable PDF format only**. If you have any questions about this product or would like to request sample pages, please contact us and reference the product name or SKU.



## TX1057434

6.

TX1057434-UN: Front Tie Rod Ends

### LEGEND:

3-Yoke

8-Wheel Hub

24-Upper Tie Rod End

25-Steering Cylinder Tie Rod End

26-Steering Cylinder Rod

27-Cotter Pin (2 used)

28-Nut (2 used)

Remove cotter pin (27) and nut (28) from front axle upper tie rod end (24) and steering cylinder tie rod end (25).

7. Remove front axle upper tie rod end and steering cylinder tie rod end.



Thank you very much  
for your reading.  
Please click here  
to get more information.