


# John Deere 770G, 770GP, 772G, 772GP (SN.F656526-678817) Motor Grader Service Repair Manual (TM13027X19)



250D and 300D Series II  
Articulated Dump Truck  
Diagnostic




**OPERATION AND TEST MANUAL**  
**T2/S2 models 250D, 300D Series II (SN. from C642001)**  
**TM12403 01 SEP 15 (ENGLISH)**

For complete service information also see:

250D and 300D Series II Articulated Dump Truck Repair	TM12405
JDLINK (MTG) Technical Manual	TM114519
PowerTech 9.0L OEM Diesel Engines 6090 Tier 3 / Stage IIIA Emissions Certified Base Engine Repair	CTM400
120 Series Hydraulic Cylinders	CTM120519
6090 PowerTech (Emissions) Level 24 ECU	CTM115419
120 Series Hydr	

**PDF**  **DOWNLOAD** 

John Deere Construction and Forestry  
Printed by Belgroen



TM12403

**Covers:** 770G,1DW770G\*\*\*F656526-678817),770GP,1DW770G\*\*\*F656526-

**Type:** Service Manual

**Language:** English

**Pages:** 630

**Format:** PDF

**Features:** Bookmarked, searchable, printable

**Compatibility:** Windows/Mac/Tablet/Mobile

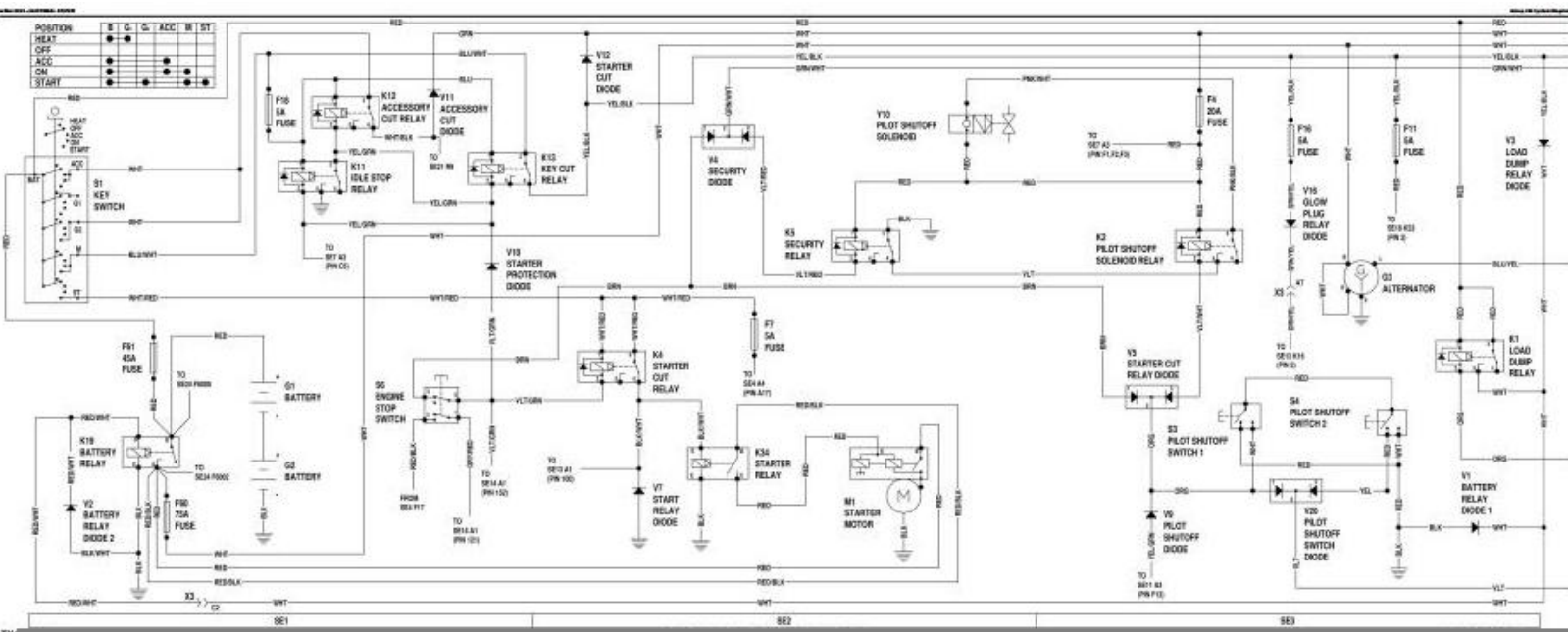
This service manual contains important information for the maintenance, troubleshooting and servicing of the **John Deere 770G, 770GP, 772G, 772GP (SN.F656526-678817) Motor Grader Service Repair Manual (TM13027X19)**

In this manual you will find detailed specifications, illustrations, schematics, diagrams and step-by-step procedures to properly service and diagnose the machine to the manufacturer's standards.

**Contents:**

- General Information
- Specifications
- Serial Number Location
- Engine Specifications
- Engine Diagnostics
- Engine Tests and Adjustments
- Engine Repair
- Power Train
- Transmission
- Axles
- Differential
- PTO
- Hydraulic System
- Electrical System
- Electrical Tests and Diagnostics
- Wiring Diagram / Schematic
- Ignition and Charging
- Steering
- Brakes
- Wheels
- Operator's Platform
- Body Panels
- Disassembly and Assembly
- Diagnostics, Tests and Adjustments
- Troubleshooting
- and much more...

Please note this manual is in **downloadable PDF format only**. If you have any questions about this product or would like to request sample pages, please contact us and reference the product name or SKU.



TX



Thank you very much  
for your reading.  
Please click here  
to get more information.