

John Deere 770G, 770GP, 772G, 772GP (SN. F678818-680877) Motor Graders Repair Manual (TM14073X19)

444K 4WD with Loader
Engine 4045HDW54 (T3)
(S.N. 642101—670307)
Diagnostic



OPERATION AND TEST MANUAL

4WD Loader with Engines 4045HDW54 (T3) models 444K (PIN: 1DW444KZ**D642101-670307)

TM12090 22 FEB 16 (ENGLISH)

For complete service information also see:

444K 4WD Loader (SN. 642101-670307) Repair	TM12092
JDLink (MTG) Technical Manual	TM114519
PowerTech E 4.5 and 6.8L Diesel Engine with 16 Electronic Fuel System With Denso HPCR	CTM502
120 Series Hydraulic Cylinder	
120 Series Hydraulic Cylinder	
125 Series Hydraulic Cylinder	
PowerTech 4.5L & 6.8L Diesel Engine with 16 Electronic Fuel System with Denso HPCR, IIIA, Tier 3/Stage IIA, Tier 3/Stage	



DOWNLOAD



John Deere Construction and Forestry
Printed by Belgroen



Covers: 770G,1DW770GX_,_F678818,680877),770GP,1DW770GP_,_

Type: Service Manual

Language: English

Pages: 445

Format: PDF

Features: Bookmarked, searchable, printable

Compatibility: Windows/Mac/Tablet/Mobile

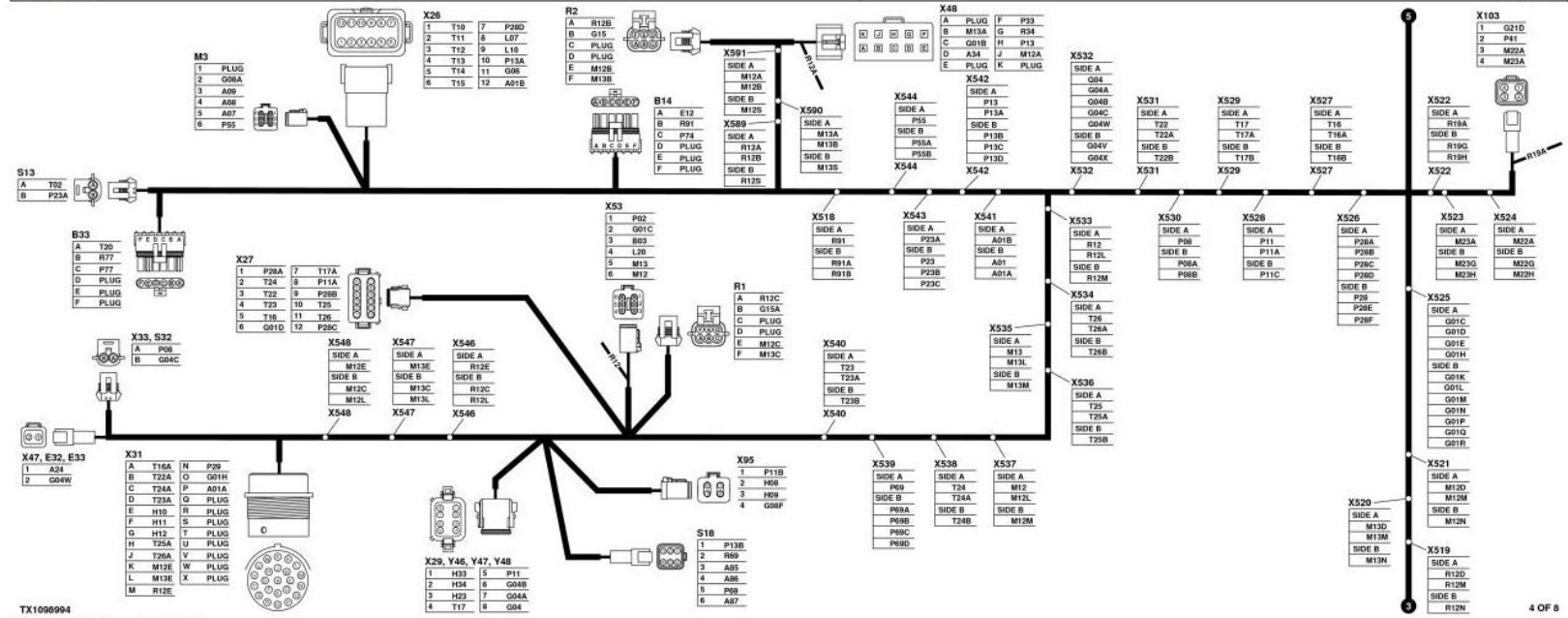
This service manual contains important information for the maintenance, troubleshooting and servicing of the **John Deere 770G, 770GP, 772G, 772GP (SN. F678818-680877) Motor Graders Repair Manual (TM14073X19)**

In this manual you will find detailed specifications, illustrations, schematics, diagrams and step-by-step procedures to properly service and diagnose the machine to the manufacturer's standards.

Contents:

- General Information
- Specifications
- Serial Number Location
- Engine Specifications
- Engine Diagnostics
- Engine Tests and Adjustments
- Engine Repair
- Power Train
- Transmission
- Axles
- Differential
- PTO
- Hydraulic System
- Electrical System
- Electrical Tests and Diagnostics
- Wiring Diagram / Schematic
- Ignition and Charging
- Steering
- Brakes
- Wheels
- Operator's Platform
- Body Panels
- Disassembly and Assembly
- Diagnostics, Tests and Adjustments
- Troubleshooting
- and much more...

Please note this manual is in **downloadable PDF format only**. If you have any questions about this product or would like to request sample pages, please contact us and reference the product name or SKU.



TX1008994 Land Center Hardware (M2) Wiring Diagram (1 of 8) (R.A. - 08/12/20)



Thank you very much
for your reading.
Please click here
to get more information.