

John Deere 770G, 770GP, 772G, 772GP (SN. F680878-,L700954-) Motor Graders Repair Manual (TM14245X19)

770G, 770GP, 772G and 772GP Motor Graders Repair

(PIN: 1DW770G__F680878—;
PIN: 1DW772G__F680878—;
PIN: 1DW770G__L700954—;
PIN: 1DW772G__L700954—)



JOHN HARE



COLLECTION

REPAIR MANUAL

770G, 770GP, 772G and 772GP Motor Graders

(PIN: 1DW770G__F680878—; PIN: 1DW772G__F680878—;
PIN: 1DW770G__L700954—; PIN: 1DW772G__L700954—)

TM14245X19 01DEC18 (ENGLISH)

For complete see...

PDF



DOWNLOAD



770G, 770GP, 772G and 772GP Motor Graders and Test.....	dm138619
TeamMate™ II 1400 Series Inboard Planetary Transmission Repair Manual.....	dm138619
DF180 Series Powershift Transmission Repair Manual.....	dm308
6090 PowerTech™ OEM Diesel Engines (Final Tier 4/Stage IV platform).....	dm117719
Hydraulic Cylinders.....	dm120519

Worldwide Construction and
Forestry Division

Covers: 770G,770GP,1DW770G__,F680878-;;1DW770G__,L700954-

Type: Service Manual

Language: English

Pages: 446

Format: PDF

Features: Bookmarked, searchable, printable

Compatibility: Windows/Mac/Tablet/Mobile

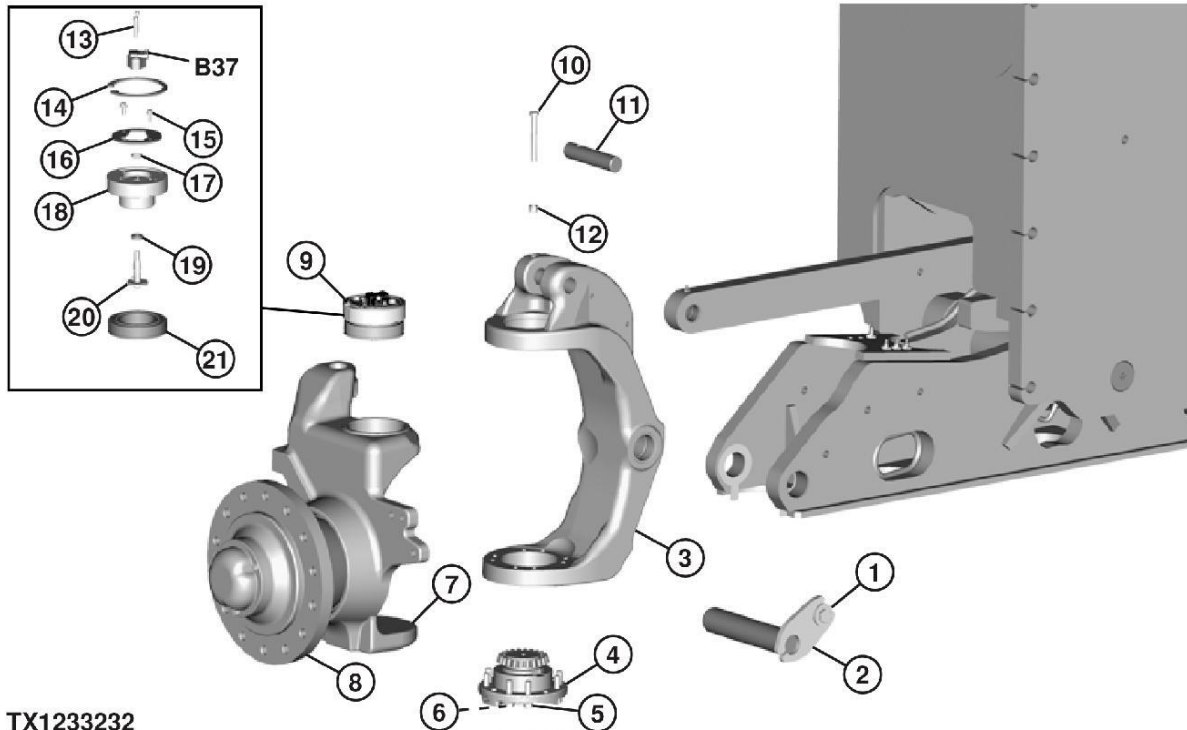
This service manual contains important information for the maintenance, troubleshooting and servicing of the **John Deere 770G, 770GP, 772G, 772GP (SN. F680878-,L700954-) Motor Graders Repair Manual (TM14245X19)**

In this manual you will find detailed specifications, illustrations, schematics, diagrams and step-by-step procedures to properly service and diagnose the machine to the manufacturer's standards.

Contents:

- General Information
- Specifications
- Serial Number Location
- Engine Specifications
- Engine Diagnostics
- Engine Tests and Adjustments
- Engine Repair
- Power Train
- Transmission
- Axles
- Differential
- PTO
- Hydraulic System
- Electrical System
- Electrical Tests and Diagnostics
- Wiring Diagram / Schematic
- Ignition and Charging
- Steering
- Brakes
- Wheels
- Operator's Platform
- Body Panels
- Disassembly and Assembly
- Diagnostics, Tests and Adjustments
- Troubleshooting
- and much more...

Please note this manual is in **downloadable PDF format only**. If you have any questions about this product or would like to request sample pages, please contact us and reference the product name or SKU.



8. **TX1233232**

TX1233232-UN: Wheel Hub, Spindle, and Yoke—Non Six-Wheel Drive (6WD [right side shown])

LEGEND:

1-Yoke Pin Cap Screw

2-Yoke Pin

3-Yoke

4-Lower King Pin Assembly

5-Lower King Pin Cap Screw (8 used)

6-Threaded Hole (2 used)

7-Spindle

8-Wheel Hub

9-Upper King Pin Assembly With Steering Angle Sensor

10-Lean Bar Linkage Cap Screw (6 used)

11-Lean Bar Linkage Pin

12-Lean Bar Linkage Retainer

13-Steering Angle Sensor Cap Screw (2 used)

14-Snap Ring

15-Spacer Plate Cap Screw (2 used)

16-Spacer Plate

17-O-Ring

18-Upper King Pin

19-Seal

20-Steering Angle Sensor Locating Pin

21-Bearing Assembly

B37-Steering Angle Sensor

Remove lower king pin cap screws (5).

9. Insert cap screw into threaded hole (6) on opposite sides of lower king pin assembly (4) to remove king pin.
10. Remove steering angle sensor (B37) (right side only). [See Steering Angle Sensor Remove and Install.](#) (Group 9015-20.)
11. Remove upper king pin (18) and bearing assembly (21) using appropriate puller.
12. Remove steering angle sensor locating pin (20).
13. Remove wheel hub (8) and spindle (7) assembly from yoke (3).
14. Clean, inspect, and replace parts as necessary.
15. Install wheel hub and spindle assembly into yoke.
16. Install steering angle sensor locating pin.
17. Install upper king pin and bearing assembly.
18. Install steering angle sensor. [See Steering Angle Sensor Remove and Install.](#) (Group 9015-20.)
19. Install lower king pin assembly.
20. Install front wheel. [See Wheel Remove and Install.](#) (Group 0110.)
21. Remove shop stand and lower machine.
22. Remove articulation lock pin. [See Locking Machine Frame - document OMT390949X19 - \(Operator's Manual.\)](#)

JL26034,00002D4-19-20170328



Thank you very much
for your reading.
Please click here
to get more information.