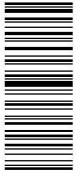


John Deere 790E-LC Excavator Service Repair Technical Manual (tm1507)

620G, 620GP, 622G, 622GP Motor Graders Repair

(PIN: 1DW670G__C680878—;
PIN: 1DW670G__D680878—;
PIN: 1DW672G__C680878—;
PIN: 1DW672G__D680878—;
PIN: 1JZ672G__C003007—)



JOHN HARE



COLLECTION

REPAIR TECHNICAL MANUAL

670G, 670GP, 672G and 672GP Motor Graders

(PIN: 1DW670G__C680878—; PIN: DW670G__D680878—;
PIN: 1DW672G__C680878—; PIN: 1DW672G__D680878—;
PIN: 1JZ672G__C003007—)

Type: Service Manual

Language: English

Pages: 615

Format: PDF

Features: Bookmarked, searchable, printable

Compatibility: Windows/Mac/Tablet/Mobile

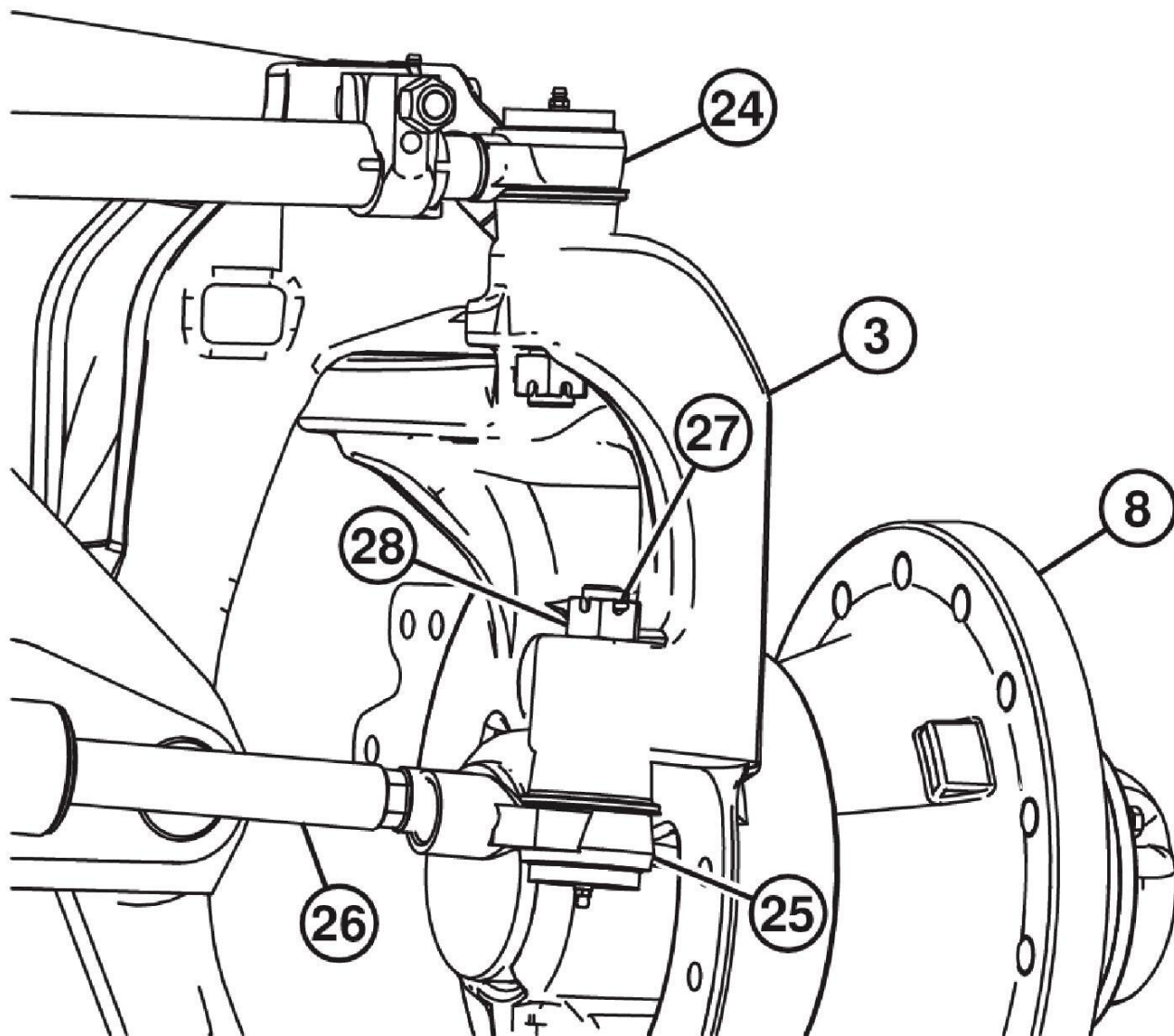
This service manual contains important information for the maintenance, troubleshooting and servicing of the **John Deere 790E-LC Excavator Service Repair Technical Manual (tm1507)**

In this manual you will find detailed specifications, illustrations, schematics, diagrams and step-by-step procedures to properly service and diagnose the machine to the manufacturer's standards.

Contents:

- General Information
- Specifications
- Serial Number Location
- Engine Specifications
- Engine Diagnostics
- Engine Tests and Adjustments
- Engine Repair
- Power Train
- Transmission
- Axles
- Differential
- PTO
- Hydraulic System
- Electrical System
- Electrical Tests and Diagnostics
- Wiring Diagram / Schematic
- Ignition and Charging
- Steering
- Brakes
- Wheels
- Operator's Platform
- Body Panels
- Disassembly and Assembly
- Diagnostics, Tests and Adjustments
- Troubleshooting
- and much more...

Please note this manual is in **downloadable PDF format only**. If you have any questions about this product or would like to request sample pages, please contact us and reference the product name or SKU.



TX1057434

6.

TX1057434-UN: Front Tie Rod Ends

LEGEND:

3-Yoke

8-Wheel Hub

24-Upper Tie Rod End

25-Steering Cylinder Tie Rod End

26-Steering Cylinder Rod

27-Cotter Pin (2 used)

28-Nut (2 used)

Remove cotter pin (27) and nut (28) from front axle upper tie rod end (24) and steering cylinder tie rod end (25).

7. Remove front axle upper tie rod end and steering cylinder tie rod end.



Thank you very much
for your reading.
Please click here
to get more information.