

John Deere 803MH 853MH 859MH (Closed-Loop Hydr.Drv) Harvester (SN.270423-) Repair Manual TM13246X19

1050C Crawler Dozer Diagnostic

OPERATION AND TEST MANUAL

Dozer models 1050C

TM2300 22 MAY 12 (ENGLISH)

For complete service information also see:

Hydrostatic Motor Repair Manual	TM2225
TM2224 - Engine Repair Manual	TM2224
Hydrostatic Pump Repair Manual	TM2210
Crawler Dozer Service Manual	TM1946
Engine Technical Manual	TM1831
Super Caddy Oil Cleanup Procedure	CTM310
JDG10470376 Diagnostic Guide	TM10019
Hydrostatic Pump	
Hydrostatic Motor Repair	
Ultrasonic Undercarriage Gauge	TM20002

PDF



DOWNLOAD



John Deere Construction and Forestry

Type: Service Manual

Language: English

Pages: 465

Format: PDF

Features: Bookmarked, searchable, printable

Compatibility: Windows/Mac/Tablet/Mobile

This service manual contains important information for the maintenance, troubleshooting and servicing of the **John Deere 803MH 853MH 859MH (Closed-Loop Hydr.Drv) Harvester (SN.270423-) Repair Manual TM13246X19**

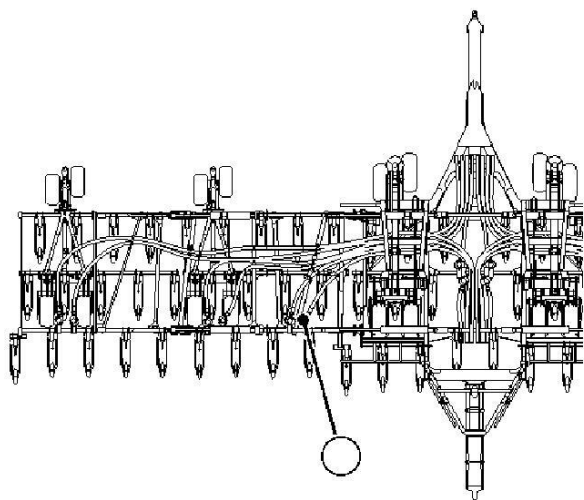
In this manual you will find detailed specifications, illustrations, schematics, diagrams and step-by-step procedures to properly service and diagnose the machine to the manufacturer's standards.

Contents:

- General Information
- Specifications
- Serial Number Location
- Engine Specifications
- Engine Diagnostics
- Engine Tests and Adjustments
- Engine Repair
- Power Train
- Transmission
- Axles
- Differential
- PTO
- Hydraulic System
- Electrical System
- Electrical Tests and Diagnostics
- Wiring Diagram / Schematic
- Ignition and Charging
- Steering
- Brakes
- Wheels
- Operator's Platform
- Body Panels
- Disassembly and Assembly
- Diagnostics, Tests and Adjustments
- Troubleshooting
- and much more...

Please note this manual is in **downloadable PDF format only**. If you have any questions about this product or would like to request sample pages, please contact us and reference the product name or SKU.

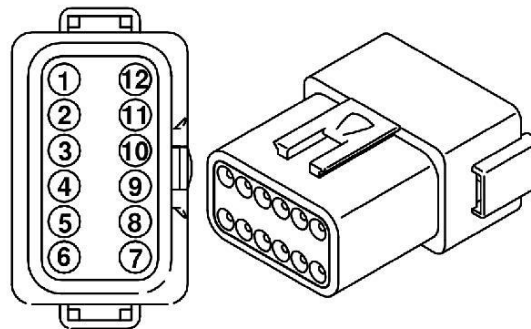
XX303B-2—Tower 3 Blockage to Bottom Opener Sensor Interconnect



A84401-UN: Location Art



A85971-UN: Machine Graphic



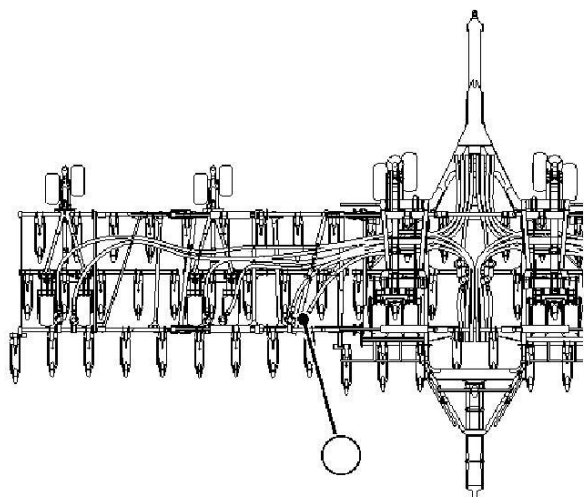
H105752-UN: End View

Component Information	
Number of Pins	12
Connection Point	XX303B-2—Tower 3 Blockage to Bottom Opener Sensor
Harness Information	W303-1 Tower 3 Blockage Harness, W303-2 Tower 3 Primary Blockage Harness, or W303-3 Tower 3 All-Run Bottom and Primary Top Harness connect to W303B Tower 3 Bottom Opener Sensor Harness

Pin	Circuit	Color
1	3001	Brown
2	3002	Red
3	3003	Orange
4	3004	Yellow
5	3005	Green
6	3006	Blue
7	3007	Violet
8	3008	Gray
9	3009	White
10	3010	Black
11	PLUG	PLUG
12	PLUG	PLUG

OUHX149,0002331-19-20160519

XX303T-1—Tower 3 Blockage to Top Sensor Interconnect



A84401-UN: Location Art



A85969-UN: Machine Graphic



Thank you very much
for your reading.
Please click here
to get more information.