

John Deere 803MH,853MH,859MH (SN.F293917-,L343918-) Harvester (Closed-Loop) Repair Manual TM14094X19

**3156G Log Loader
Repair**

(PIN: 1FF3156G_
_F316001—)



JOHN HARE



COLLECTION

REPAIR TECHNICAL MANUAL

3156G Log Loader (PIN: 1FF3156G__F316001—)

TM14030X19 01DEC18 (ENGLISH)

For complete service information also see:

3156G Log Loader Operation and Test..... TM14029X19
3156G Log Loader Operators Manual..... OMT351760X19
6090 PowerTech™ OEM Diesel Engines (Final Tier 4/
Stage IV platform) dm117719



Worldwide Construction and
Forestry Division

Covers: 803MH,1T0803MH__,_F293917;1T0803MH__,_L343918

Type: Service Manual

Language: English

Pages: 389

Format: PDF

Features: Bookmarked, searchable, printable

Compatibility: Windows/Mac/Tablet/Mobile

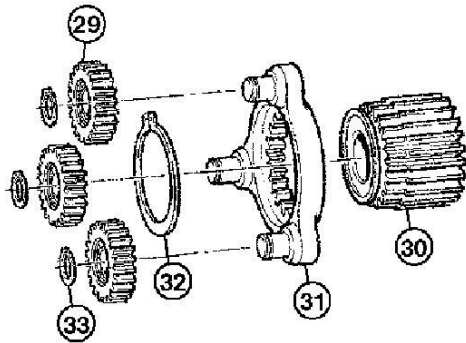
This service manual contains important information for the maintenance, troubleshooting and servicing of the **John Deere 803MH,853MH,859MH (SN.F293917-,L343918-) Harvester (Closed-Loop) Repair Manual TM14094X19**

In this manual you will find detailed specifications, illustrations, schematics, diagrams and step-by-step procedures to properly service and diagnose the machine to the manufacturer's standards.

Contents:

- General Information
- Specifications
- Serial Number Location
- Engine Specifications
- Engine Diagnostics
- Engine Tests and Adjustments
- Engine Repair
- Power Train
- Transmission
- Axles
- Differential
- PTO
- Hydraulic System
- Electrical System
- Electrical Tests and Diagnostics
- Wiring Diagram / Schematic
- Ignition and Charging
- Steering
- Brakes
- Wheels
- Operator's Platform
- Body Panels
- Disassembly and Assembly
- Diagnostics, Tests and Adjustments
- Troubleshooting
- and much more...

Please note this manual is in **downloadable PDF format only**. If you have any questions about this product or would like to request sample pages, please contact us and reference the product name or SKU.

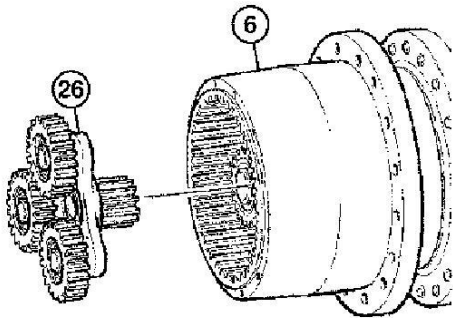


6. TX1029064-UN: First Planetary Carrier

LEGEND:

- 29-Planet Gear (3 used)
- 30-Sun Gear
- 31-First Planetary Carrier
- 32-Snap Ring
- 33-Snap Ring (3 used)

Disassemble first planetary carrier (31) as shown.

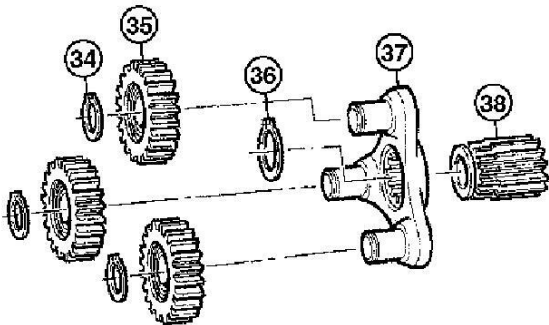


7. TX1028690-UN: Second Planetary Carrier Assembly

LEGEND:

- 6-Gear Case Housing
- 26-Second Planetary Carrier Assembly

Remove second planetary carrier assembly (26).



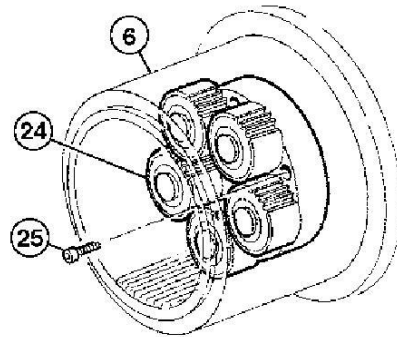
8. TX1029063-UN: Second Planetary Carrier

LEGEND:

- 34-Snap Ring (3 used)
- 35-Planet Gear (3 used)
- 36-Snap Ring
- 37-Second Planetary Carrier
- 38-Sun Gear

Disassemble second planetary carrier (37) as shown.

9.  **CAUTION:**
Prevent possible crushing injury from heavy component. Use appropriate lifting device.



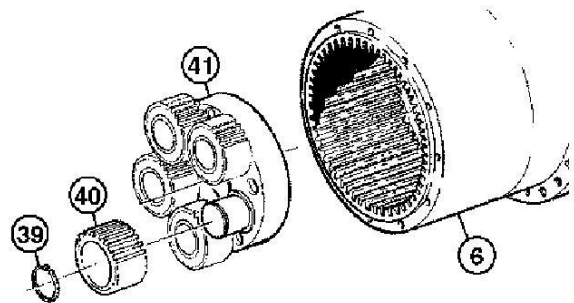
TX1028692-UN: Third Planetary Carrier Assembly

LEGEND:

- 6-Gear Case Housing
- 24-Third Planetary Carrier Assembly
- 25-Cap Screw (5 used)

Attach appropriate lifting device to third planetary carrier assembly (24). Remove cap screws (25) and remove third planetary carrier assembly from gear case housing (6).

Item	Measurement	Specification
Third Planetary Carrier Assembly (U6 Track)	Weight (approximate)	37 kg 82 lb.
Third Planetary Carrier Assembly (U7 Track)	Weight (approximate)	46 kg 101 lb.
Third Planetary Carrier Assembly (U7 Extreme Duty Track)	Weight (approximate)	61 kg 135 lb.



10. TX1029066-UN: Third Planetary Carrier

LEGEND:

- 6-Gear Case Housing
- 39-Snap Ring
- 40-Planet Gear (5 used)
- 41-Third Planetary Carrier

Disassemble third planetary carrier (41) as shown.



Thank you very much
for your reading.
Please click here
to get more information.