


John Deere 803M,853M,859M (SN.F293917-,L343918-) Feller Buncher (Open-Loop) Repair Manual TM14084X19



1775NT 12-Row Planter
with MaxEmerge 5 Row
Units Diagnostic

JOHN HARE

COLLECTION

DIAGNOSIS AND TESTS MANUAL
MaxEmerge 5 models 1775NT 12ROW
TM131419 01 MAY 15 (ENGLISH)

For complete service information also see:

1705 Series Planter Frame Repair	TM131319
MaxEmerge 5 & ExactEmerge Row Unit Repair	TM131219
Machine Connection Information	CTM441
120 Series Hydraulic Cylinders	CTM120519

PDF  **DOWNLOAD** 

John Deere Agriculture
Printed by Belgreen

Covers: 803M,1T0803MX_,_F293917; ;1T0803MX_,_L343918

Type: Service Manual

Language: English

Pages: 350

Format: PDF

Features: Bookmarked, searchable, printable

Compatibility: Windows/Mac/Tablet/Mobile

This service manual contains important information for the maintenance, troubleshooting and servicing of the **John Deere 803M,853M,859M (SN.F293917-,L343918-) Feller Buncher (Open-Loop) Repair Manual TM14084X19**

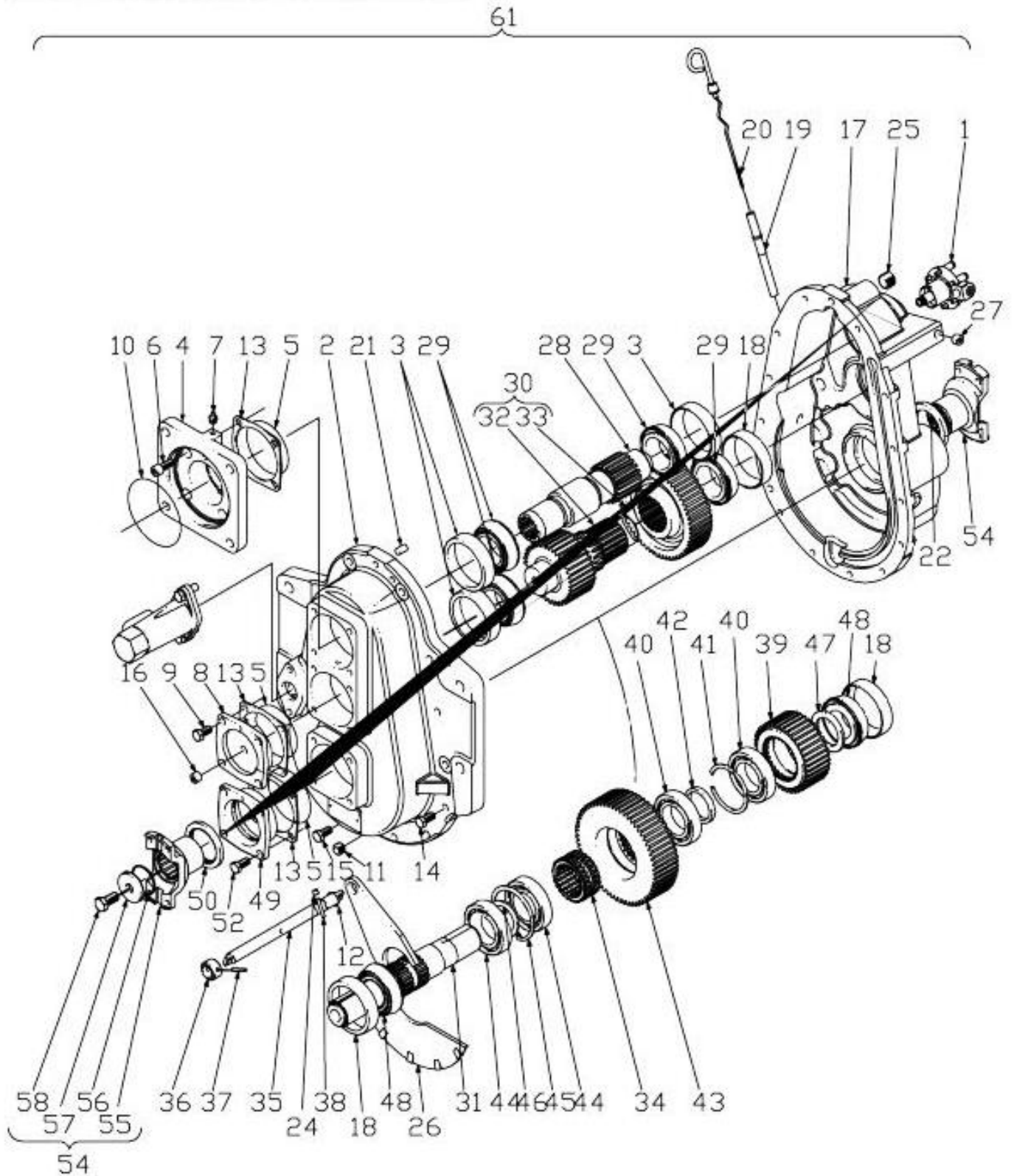
In this manual you will find detailed specifications, illustrations, schematics, diagrams and step-by-step procedures to properly service and diagnose the machine to the manufacturer's standards.

Contents:

- General Information
- Specifications
- Serial Number Location
- Engine Specifications
- Engine Diagnostics
- Engine Tests and Adjustments
- Engine Repair
- Power Train
- Transmission
- Axles
- Differential
- PTO
- Hydraulic System
- Electrical System
- Electrical Tests and Diagnostics
- Wiring Diagram / Schematic
- Ignition and Charging
- Steering
- Brakes
- Wheels
- Operator's Platform
- Body Panels
- Disassembly and Assembly
- Diagnostics, Tests and Adjustments
- Troubleshooting
- and much more...

Please note this manual is in **downloadable PDF format only**. If you have any questions about this product or would like to request sample pages, please contact us and reference the product name or SKU.

Remove and Install Transmission



Transmission

LEGEND:

- 1 Pump
- 2 Housing
- 3 Bearing Cup
- 4 Adapter Fitting
- 5 O-ring



Thank you very much
for your reading.
Please click here
to get more information.