


John Deere 8235R, 8260R, 8285R, 8310R, 8335R, 8360R Tractors Diagnosis and Tests Manual (TM110219)




324J 4WD Loader Repair




REPAIR TECHNICAL MANUAL
4WD Loaders models 324J
TM12586 04 MAR 16 (ENGLISH)

For complete service information also see:

| | |
|--|-----------|
| 324J 4WD Loader Diagnostic | TM12585 |
| PowerTech E 2.4L & 3.0L Diesel Engines | CTM101019 |

  **DOWNLOAD** 

John Deere Construction and Forestry
Printed by Belgreen



TM12586

Covers: (SN:016001-,090000);,8285R,8335R,8235R,8260R,8310R,8360

Type: Service Manual

Language: English

Pages: 8082

Format: PDF

Features: Bookmarked, searchable, printable

Compatibility: Windows/Mac/Tablet/Mobile

This service manual contains important information for the maintenance, troubleshooting and servicing of the **John Deere 8235R, 8260R, 8285R, 8310R, 8335R, 8360R Tractors Diagnosis and Tests Manual (TM110219)**

In this manual you will find detailed specifications, illustrations, schematics, diagrams and step-by-step procedures to properly service and diagnose the machine to the manufacturer's standards.

Contents:

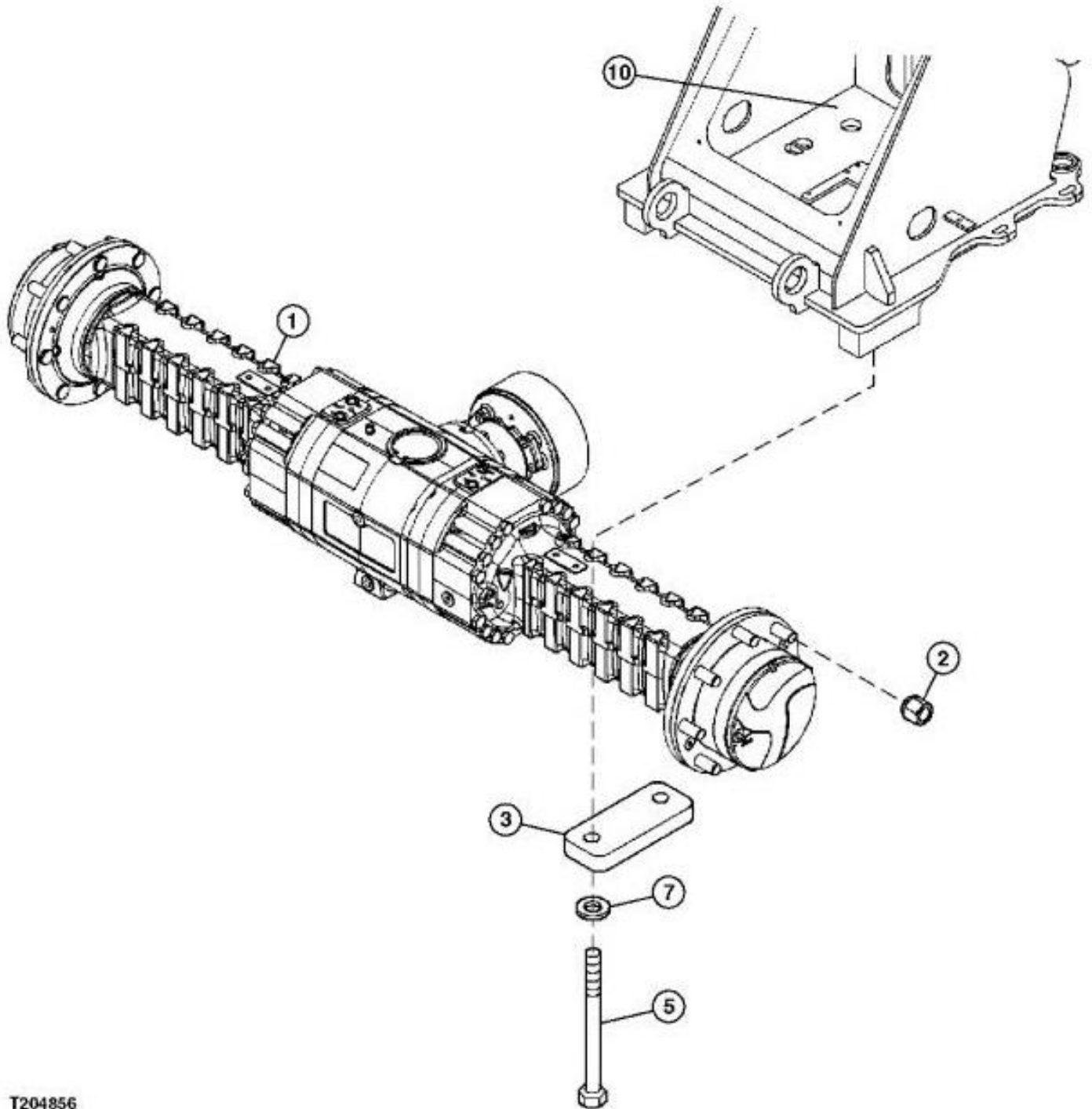
- General Information
- Specifications
- Serial Number Location
- Engine Specifications
- Engine Diagnostics
- Engine Tests and Adjustments
- Engine Repair
- Power Train
- Transmission
- Axles
- Differential
- PTO
- Hydraulic System
- Electrical System
- Electrical Tests and Diagnostics
- Wiring Diagram / Schematic
- Ignition and Charging
- Steering
- Brakes
- Wheels
- Operator's Platform
- Body Panels
- Disassembly and Assembly
- Diagnostics, Tests and Adjustments
- Troubleshooting
- and much more...

Please note this manual is in **downloadable PDF format only**. If you have any questions about this product or would like to request sample pages, please contact us and reference the product name or SKU.

Group 0200 - Removal and Installation

Front Axle Remove and Install

[1] -



T204856

Front Axle

LEGEND:

1 Front Axle



Thank you very much
for your reading.
Please click here
to get more information.