

John Deere 844K Series II 4WD Loader (SN. 642008◆◆◆◆◆◆◆◆◆◆664095) Diagnostic & Test Service Manual (TM12118)

844K Series II 4WD Loader
(SN. 642008—664095)
with Engine 6135HDW01
(T3), 6135HDW03 (S2)

OPERATION AND TEST MANUAL



4WD Loader models 844K-II (PIN:1DW844KZC642008—664095;
1DW844KZ**D642008—664095)**

TM12118 22 FEB 16 (ENGLISH)

For complete service information also see:

844K Series II 4WD Loader (SN. 642008—664095) with Engine 6135HDW01 (T3), 6135HDW03 (S2)	TM12120
JDLink (MTG) Technical Manual	TM114519
PowerTech, PowerTech Plus, and PowerTech Diesel Engines Base Engine Repair	CTM415
PowerTech 6135 (S2) EUIs	
Super Caddy Oil Cleanup Product	
120 Series Hydraulic Cylinders	CTM114919
185 Series Hydraulic Cylinders	CTM114319
120 Series Hydraulic Cylinders	CTM114319

John Deere Construction and Forestry
Printed by Balgreen



Covers: 844K-II,(PIN:1DW844KZ**C642008◆◆◆◆◆◆◆◆◆◆664095;;1DW844KZ**

Type: Service Manual

Language: English

Pages: 1515

Format: PDF

Features: Bookmarked, searchable, printable

Compatibility: Windows/Mac/Tablet/Mobile

This service manual contains important information for the maintenance, troubleshooting and servicing of the **John Deere 844K Series II 4WD Loader (SN. 642008◆◆◆◆◆◆◆◆◆◆664095) Diagnostic & Test Service Manual (TM12118)**

In this manual you will find detailed specifications, illustrations, schematics, diagrams and step-by-step procedures to properly service and diagnose the machine to the manufacturer's standards.

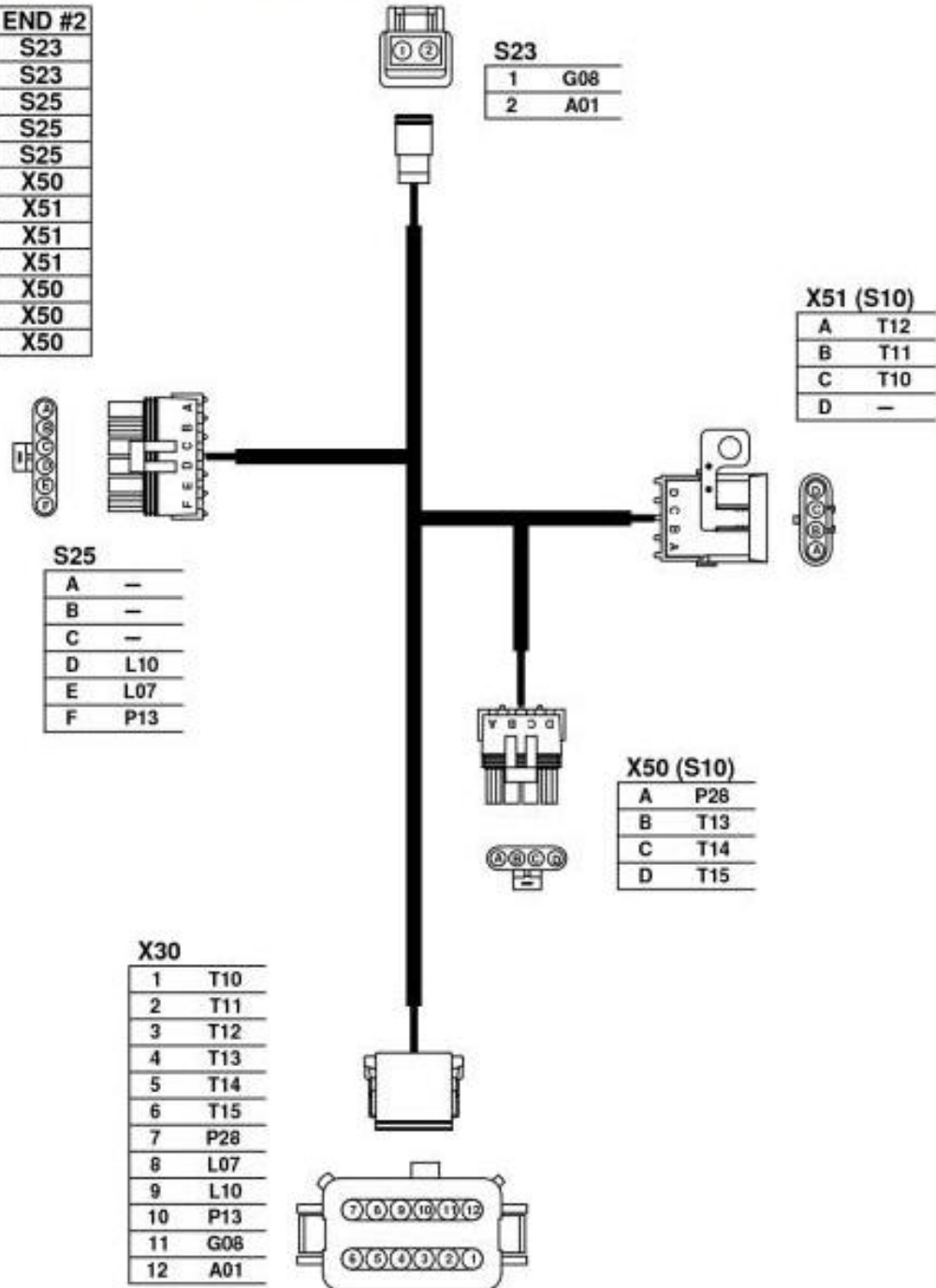
Contents:

- General Information
- Specifications
- Serial Number Location
- Engine Specifications
- Engine Diagnostics
- Engine Tests and Adjustments
- Engine Repair
- Power Train
- Transmission
- Axles
- Differential
- PTO
- Hydraulic System
- Electrical System
- Electrical Tests and Diagnostics
- Wiring Diagram / Schematic
- Ignition and Charging
- Steering
- Brakes
- Wheels
- Operator's Platform
- Body Panels
- Disassembly and Assembly
- Diagnostics, Tests and Adjustments
- Troubleshooting
- and much more...

Please note this manual is in **downloadable PDF format only**. If you have any questions about this product or would like to request sample pages, please contact us and reference the product name or SKU.

Front Console Harness (W4) Wiring Diagram

END #1	NUMBER	COLOR	END #2
X30	A01	ORG	S23
X30	G08	BLK	S23
X30	L07	BRN	S25
X30	L10	BRN	S25
X30	P13	RED	S25
X30	P28	RED	X50
X30	T10	BLU	X51
X30	T11	BLU	X51
X30	T12	BLU	X51
X30	T13	BLU	X50
X30	T14	BLU	X50
X30	T15	BLU	X50



TX1040713

Front Console Harness (W4) Wiring Diagram

LEGEND:

S10	Steering Column FNR/Gear Select Switch
S23	Horn Switch
S25	Turn Switch
X30	Load Center Harness-to-Front Console Harness Connector
X50	Steering Column Forward, Neutral, Reverse (FNR) Switch 4-Pin Connector
X51	Steering Column Gear Select Switch 4-Pin Connector



Thank you very much
for your reading.
Please click here
to get more information.