

John Deere 850J Crawler Dozer with Engine 6068HT090 Diagnostic and Test Service Manual (TM12322)

850J Crawler Dozer with Engine 6068HT090 Diagnostic

OPERATION AND TEST MANUAL

Engine 6068HT090 models 850J

TM12322 01 DEC 15 (ENGLISH)

For complete service information also see:

850J Crawler Dozer with Engine 6068HT090 Repair	TM12323
JDLink (MTG) Technical Manual	TM114519
Alternators and Starting Motors	CTM77
PowerTech E 4.5 and 6.8L Diesel Engines Level 16 Electronic Fuel System With Denso HPCR	CTM502
Super Caddy Oil	TM310
40005 Winches	
120 Series Hydraulic Cyl	
125 Series Hydraulic Cyl	
PowerTech 4.5L & 6.8L Diesel Tier 1/Stage I, Tier 2/Stage II, 3/Stage IIIA, Tier 3/Stage IIA Tier 3/Stage III, (Base Engine)	CTM104
Ultrasonic Undercarriage Measurement Gauge	CTM10001



DOWNLOAD



John Deere Construction and Forestry

Covers: 850J

Type: Service Manual

Language: English

Pages: 594

Format: PDF

Features: Bookmarked, searchable, printable

Compatibility: Windows/Mac/Tablet/Mobile

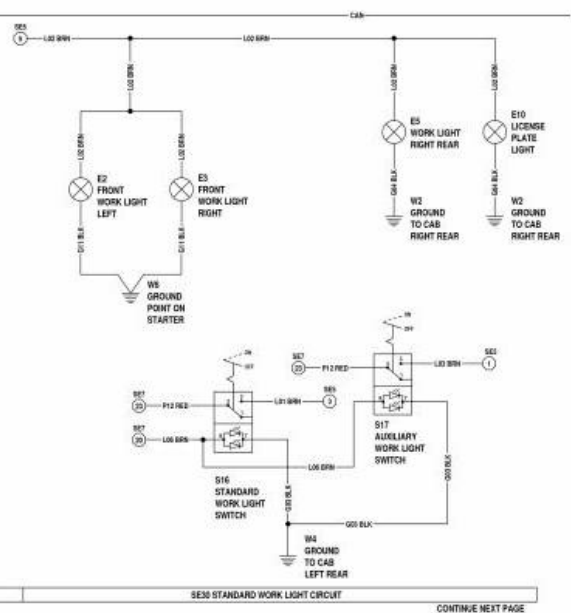
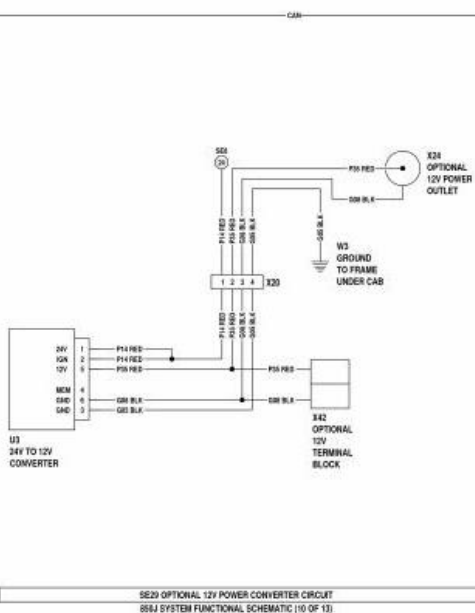
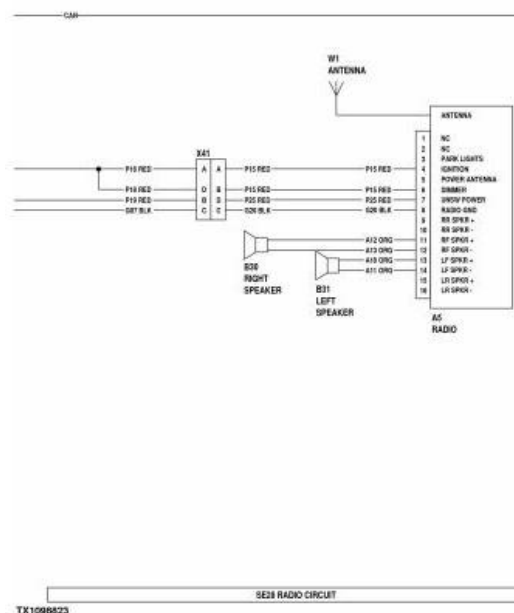
This service manual contains important information for the maintenance, troubleshooting and servicing of the **John Deere 850J Crawler Dozer with Engine 6068HT090 Diagnostic and Test Service Manual (TM12322)**

In this manual you will find detailed specifications, illustrations, schematics, diagrams and step-by-step procedures to properly service and diagnose the machine to the manufacturer's standards.

Contents:

- General Information
- Specifications
- Serial Number Location
- Engine Specifications
- Engine Diagnostics
- Engine Tests and Adjustments
- Engine Repair
- Power Train
- Transmission
- Axles
- Differential
- PTO
- Hydraulic System
- Electrical System
- Electrical Tests and Diagnostics
- Wiring Diagram / Schematic
- Ignition and Charging
- Steering
- Brakes
- Wheels
- Operator's Platform
- Body Panels
- Disassembly and Assembly
- Diagnostics, Tests and Adjustments
- Troubleshooting
- and much more...

Please note this manual is in **downloadable PDF format only**. If you have any questions about this product or would like to request sample pages, please contact us and reference the product name or SKU.





Thank you very much
for your reading.
Please click here
to get more information.