

John Deere 859MH (Closed-Loop Hydr.Div) Harvester (SN.270423-) Diagnostic Service Manual TM13184X19

859MH (Closed-Loop
Hydrostatic Drive) Tracked
Harvester (SN. from
270423) Diagnostic



OPERATION AND TEST MANUAL

(T2/S2) models 859MH (PIN: 1T0859MH**C270423—; 1T0859MH**D270423—)

TM13184X19 16 FEB 16 (ENGLISH)

For complete service information also see:

803MH, 853MH and 859MH (Closed-Loop Hydrostatic Drive) Tracked
Harvester (SN. from 270423) Repair

TM13246X19

JDLINK (MTG) Technical Manual

TM114519

Alternators and Starting Motors

CTM77

Pump Drive Service Manual

CTM57

PowerTech 9.0L C
Certified Base Eng

PowerTech 6090 Diesel Eng

High Pressure Common Rail

120 Series Hydraulic Cylinders

COOLANT HEATER SERVICE MANU

CTM10090X19



John Deere Construction and Forestry
Printed by Balgreen



Covers: 859MH,1T0859MH**C270423;1T0859MH**D270423

Type: Service Manual

Language: English

Pages: 1140

Format: PDF

Features: Bookmarked, searchable, printable

Compatibility: Windows/Mac/Tablet/Mobile

This service manual contains important information for the maintenance, troubleshooting and servicing of the **John Deere 859MH (Closed-Loop Hydr.Div) Harvester (SN.270423-) Diagnostic Service Manual TM13184X19**

In this manual you will find detailed specifications, illustrations, schematics, diagrams and step-by-step procedures to properly service and diagnose the machine to the manufacturer's standards.

Contents:

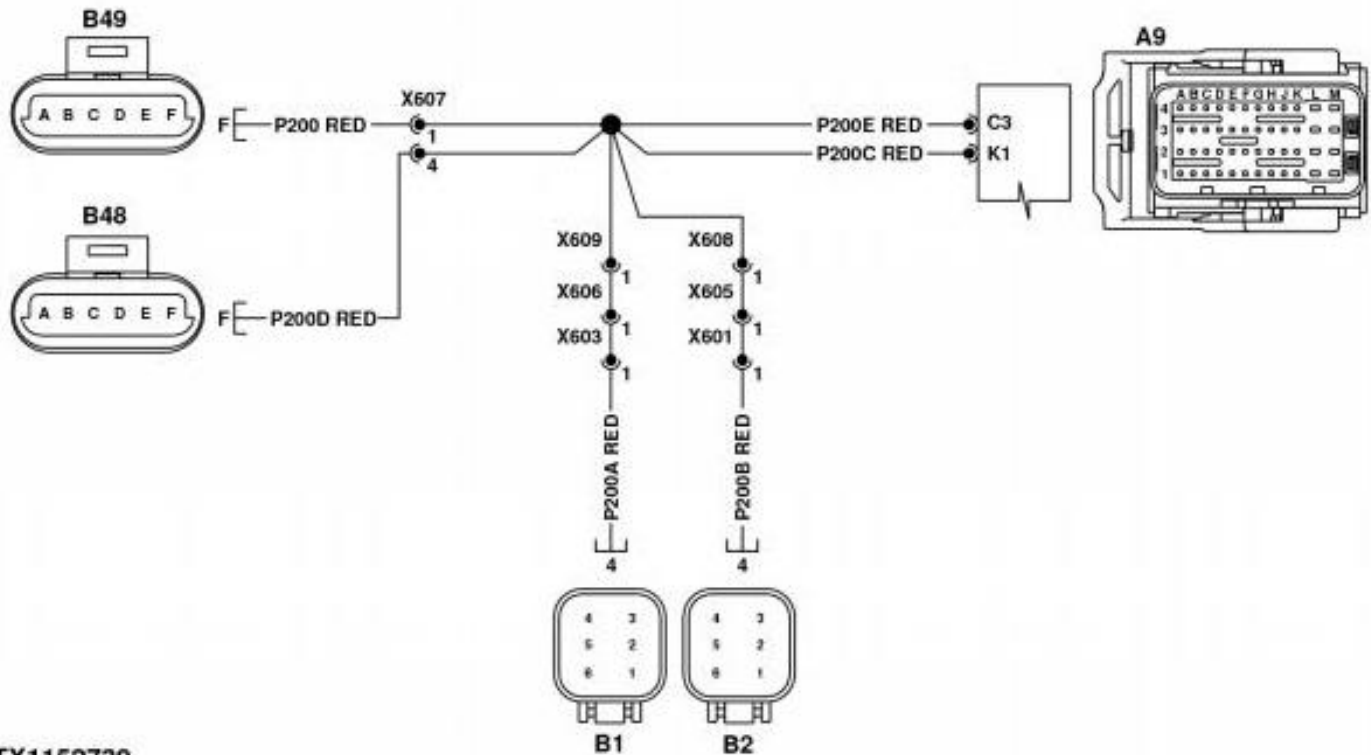
- General Information
- Specifications
- Serial Number Location
- Engine Specifications
- Engine Diagnostics
- Engine Tests and Adjustments
- Engine Repair
- Power Train
- Transmission
- Axles
- Differential
- PTO
- Hydraulic System
- Electrical System
- Electrical Tests and Diagnostics
- Wiring Diagram / Schematic
- Ignition and Charging
- Steering
- Brakes
- Wheels
- Operator's Platform
- Body Panels
- Disassembly and Assembly
- Diagnostics, Tests and Adjustments
- Troubleshooting
- and much more...

Please note this manual is in **downloadable PDF format only**. If you have any questions about this product or would like to request sample pages, please contact us and reference the product name or SKU.

001083.04- Platform Roll Sensor

456

Sensor supply 5-volt reference signal is below 0.45 volts.



TX1152739

Hydraulic Motor Controller (HMC) Sensor Supply Circuit Schematic**LEGEND:**

A9	Hydraulic Motor Controller (HMC)
A9—C3	Supply
A9—K1	Supply
B1	Left Motor Speed Sensor
B2	Right Motor Speed Sensor
B48	Pitch Level Sensor
B49	Roll Level Sensor
X601	Left Travel Motor Harness Connector 1
X603	Right Travel Motor Harness Connector 1
X605	Left Travel Motor Harness Connector 2
X606	Right Travel Motor Harness Connector 2
X607	Leveling Position Sensor Harness Connector
X608	Left Travel Motor Harness Connector 3
X609	Right Travel Motor Harness Connector 3

Alarm Level:

- Stop Indicator

Machine Response:

- None

Circuit Information:

- [See Travel Control Circuit Theory of Operation.](#) (Group 9015-15.)

Component Location:

- [See Hydraulic Motor Controller \(HMC\) Harness \(W43\) Component Location.](#) (Group 9015-10.)
- [See Left and Right Travel Motor Interface Harnesses \(W45 and W46\) Component Location.](#) (Group 9015-10.)
- [See Left Travel Motor Harness \(W47\) Component Location.](#) (Group 9015-10.)
- [See Right Travel Motor Harness \(W48\) Component Location.](#) (Group 9015-10.)

JDG10273 Diagnostic Test Box Information:



Thank you very much
for your reading.
Please click here
to get more information.