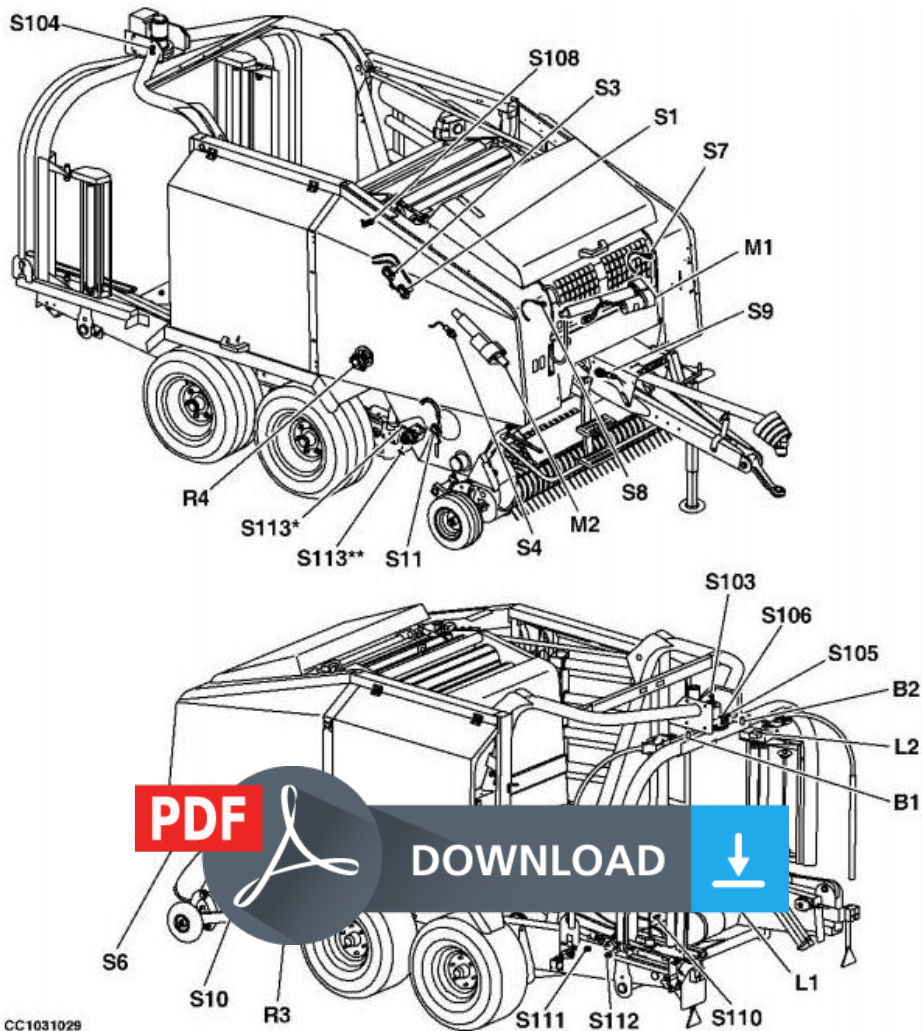


John Deere 892ELC Excavator Service Repair Technical Manual (tm1542)

Section 40 - ELECTRICAL SYSTEM - REPAIR

Group 10: Sensors and Switches

Virtual Terminal Component Identification (S.N. 089000—)



CC1031029

Component Location

LEGEND:

| | |
|----|--------------------------------|
| B1 | Left film sensor transmitter |
| B2 | Right film sensor transmitter |
| L1 | Left film sensor |
| L2 | Right film sensor |
| M1 | Twine actuator |
| M2 | Net actuator |
| R3 | Left bale shape potentiometer |
| R4 | Right bale shape potentiometer |
| S1 | Oversize/Gate switch |

[← Go to Section TOC](#)

Section 40 page 25

678 Wrapping Baler Diagnostic and Repair

Type: Service Manual

Language: English

Pages: 617

Format: PDF

Features: Bookmarked, searchable, printable

Compatibility: Windows/Mac/Tablet/Mobile

This service manual contains important information for the maintenance, troubleshooting and servicing of the **John Deere 892ELC Excavator Service Repair Technical Manual (tm1542)**

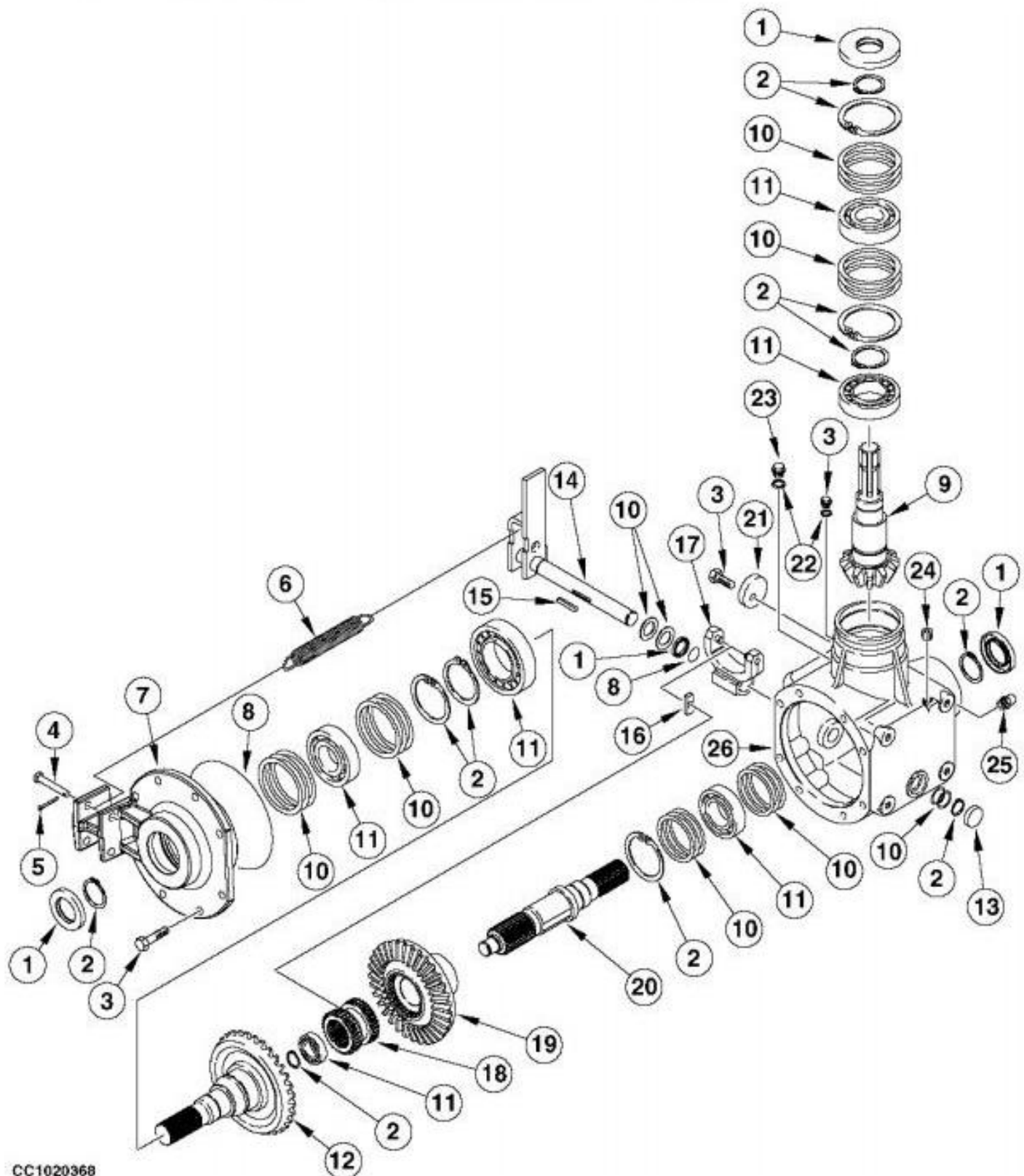
In this manual you will find detailed specifications, illustrations, schematics, diagrams and step-by-step procedures to properly service and diagnose the machine to the manufacturer's standards.

Contents:

- General Information
- Specifications
- Serial Number Location
- Engine Specifications
- Engine Diagnostics
- Engine Tests and Adjustments
- Engine Repair
- Power Train
- Transmission
- Axles
- Differential
- PTO
- Hydraulic System
- Electrical System
- Electrical Tests and Diagnostics
- Wiring Diagram / Schematic
- Ignition and Charging
- Steering
- Brakes
- Wheels
- Operator's Platform
- Body Panels
- Disassembly and Assembly
- Diagnostics, Tests and Adjustments
- Troubleshooting
- and much more...

Please note this manual is in **downloadable PDF format only**. If you have any questions about this product or would like to request sample pages, please contact us and reference the product name or SKU.

Exploded View of MAXICUT™ Precutter Gear Case



CC1020368

Disassembling Precutter gear case**LEGEND:**

| | |
|---|-----------------|
| 1 | Seal |
| 2 | Snap ring |
| 3 | Screw |
| 4 | Pin |
| 5 | Cotter pin |
| 6 | Spring |
| 7 | Bearing housing |



Thank you very much
for your reading.
Please click here
to get more information.