



John Deere 903KH and 909KH Tracked Harvester Service Repair Technical Manual (TM11626)

903KH and 909KH Tracked
Harvester Repair

REPAIR TECHNICAL MANUAL
Track models 903KH, 909KH
TM11626 28 APR 15 (ENGLISH)

For complete service information also see:

903KH and 909KH Tracked Harvester Diagnostic	TM11623
JDLINK (MTG) Technical Manual	TM114519
Alternators and Starting Motors	CTM77
PowerTech 9.0L OEM Diesel Engines 6000 Series / Stage IIIA Emissions Certified Base Engines	CTM400
PowerTech 6090 Diesel Engines High Pressure Coolers	
Super Caddy Oil Cleanup Product	
120 Series Hydraulic Cylinders	
120 Series Hydraulic Cylinders	CTM114519
COOLANT HEATER SERVICE MANUAL	CTM10090X19
JDLINK/ZXLINK Machine Monitoring System	CTM10006

PDF  **DOWNLOAD** 

John Deere Construction and Forestry
Printed by Selgreen

TM11626

Covers: 903KH,909KH

Type: Service Manual

Language: English

Pages: 413

Format: PDF

Features: Bookmarked, searchable, printable

Compatibility: Windows/Mac/Tablet/Mobile

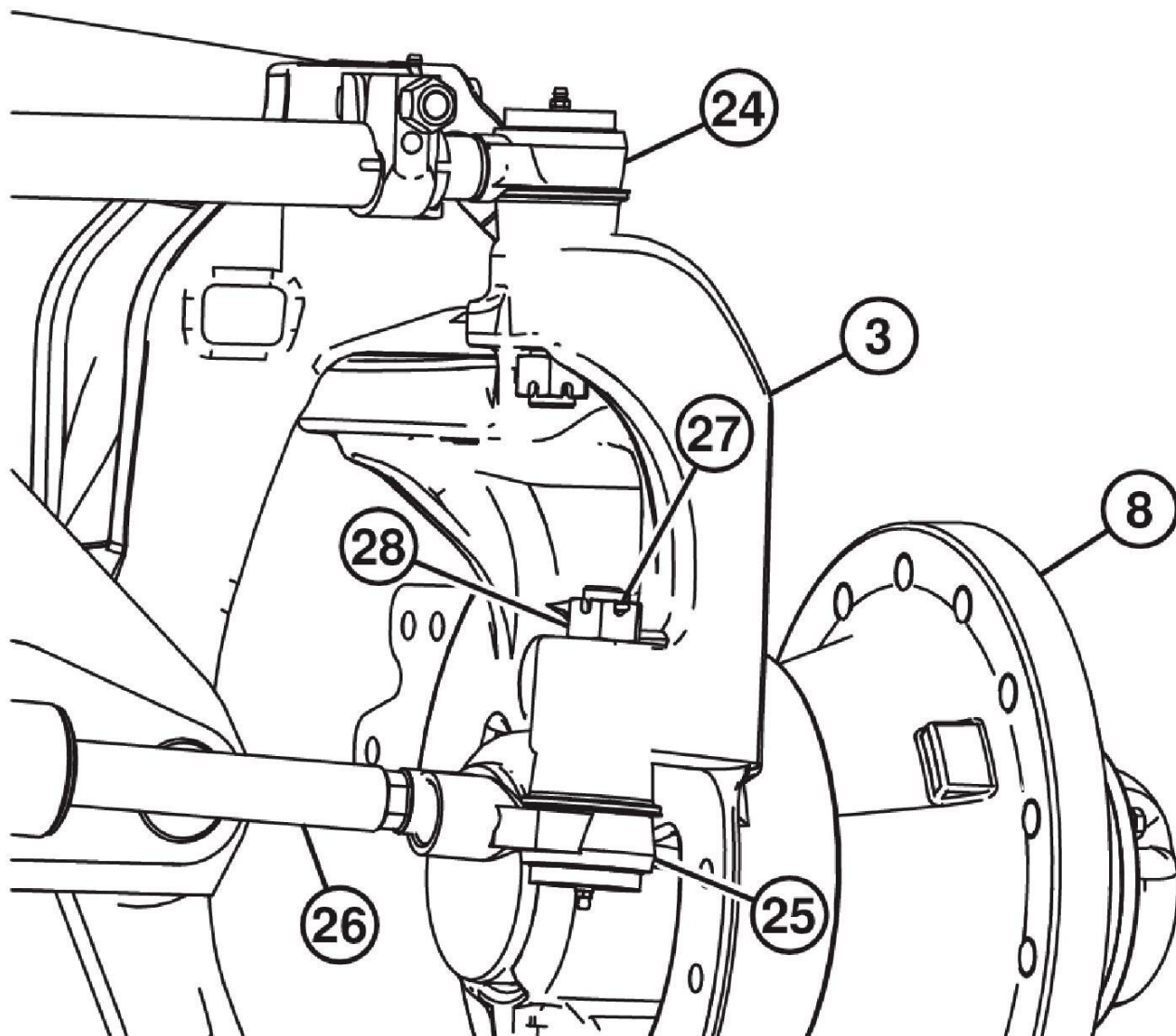
This service manual contains important information for the maintenance, troubleshooting and servicing of the **John Deere 903KH and 909KH Tracked Harvester Service Repair Technical Manual (TM11626)**

In this manual you will find detailed specifications, illustrations, schematics, diagrams and step-by-step procedures to properly service and diagnose the machine to the manufacturer's standards.

Contents:

- General Information
- Specifications
- Serial Number Location
- Engine Specifications
- Engine Diagnostics
- Engine Tests and Adjustments
- Engine Repair
- Power Train
- Transmission
- Axles
- Differential
- PTO
- Hydraulic System
- Electrical System
- Electrical Tests and Diagnostics
- Wiring Diagram / Schematic
- Ignition and Charging
- Steering
- Brakes
- Wheels
- Operator's Platform
- Body Panels
- Disassembly and Assembly
- Diagnostics, Tests and Adjustments
- Troubleshooting
- and much more...

Please note this manual is in **downloadable PDF format only**. If you have any questions about this product or would like to request sample pages, please contact us and reference the product name or SKU.



TX1057434

6.

TX1057434-UN: Front Tie Rod Ends

LEGEND:

3-Yoke

8-Wheel Hub

24-Upper Tie Rod End

25-Steering Cylinder Tie Rod End

26-Steering Cylinder Rod

27-Cotter Pin (2 used)

28-Nut (2 used)

Remove cotter pin (27) and nut (28) from front axle upper tie rod end (24) and steering cylinder tie rod end (25).

7. Remove front axle upper tie rod end and steering cylinder tie rod end.



Thank you very much
for your reading.
Please click here
to get more information.