


# John Deere 903MH, 909MH Tracked Harvester (SN. 271505-) Service Repair Technical Manual (TM13377X19)



643G and 843G Feller-Buncher Diagnostic




**OPERATION AND TEST MANUAL**  
**Wheeled models 643G, 843G**  
TM1683 22 FEB 05 (ENGLISH)

**For complete service information also see:**

643G and 843G Feller-Buncher Repair	TM1684
Alternators and Starting Motors	CTM77
Pump Drive Service Manual	CTM57
TeamMate II 1200, 1400, and 1600 Series Inboard Planetary Axles	CTM43
PowerTech 4.5L & 5.0L Engines, Tier 2/Stage II, Tier 3/Stage IIIA, Tier 3/Stage IIB	CTM104

**PDF**  **DOWNLOAD** 

John Deere Construction and Forestry  
Printed by Belgreen



TM1683

Covers: 903MH, 1T0903MH\*\*C271505; 1T0903MH\*\*D271505

**Type:** Service Manual

**Language:** English

**Pages:** 388

**Format:** PDF

**Features:** Bookmarked, searchable, printable

**Compatibility:** Windows/Mac/Tablet/Mobile

This service manual contains important information for the maintenance, troubleshooting and servicing of the **John Deere 903MH, 909MH Tracked Harvester (SN. 271505-) Service Repair Technical Manual (TM13377X19)**

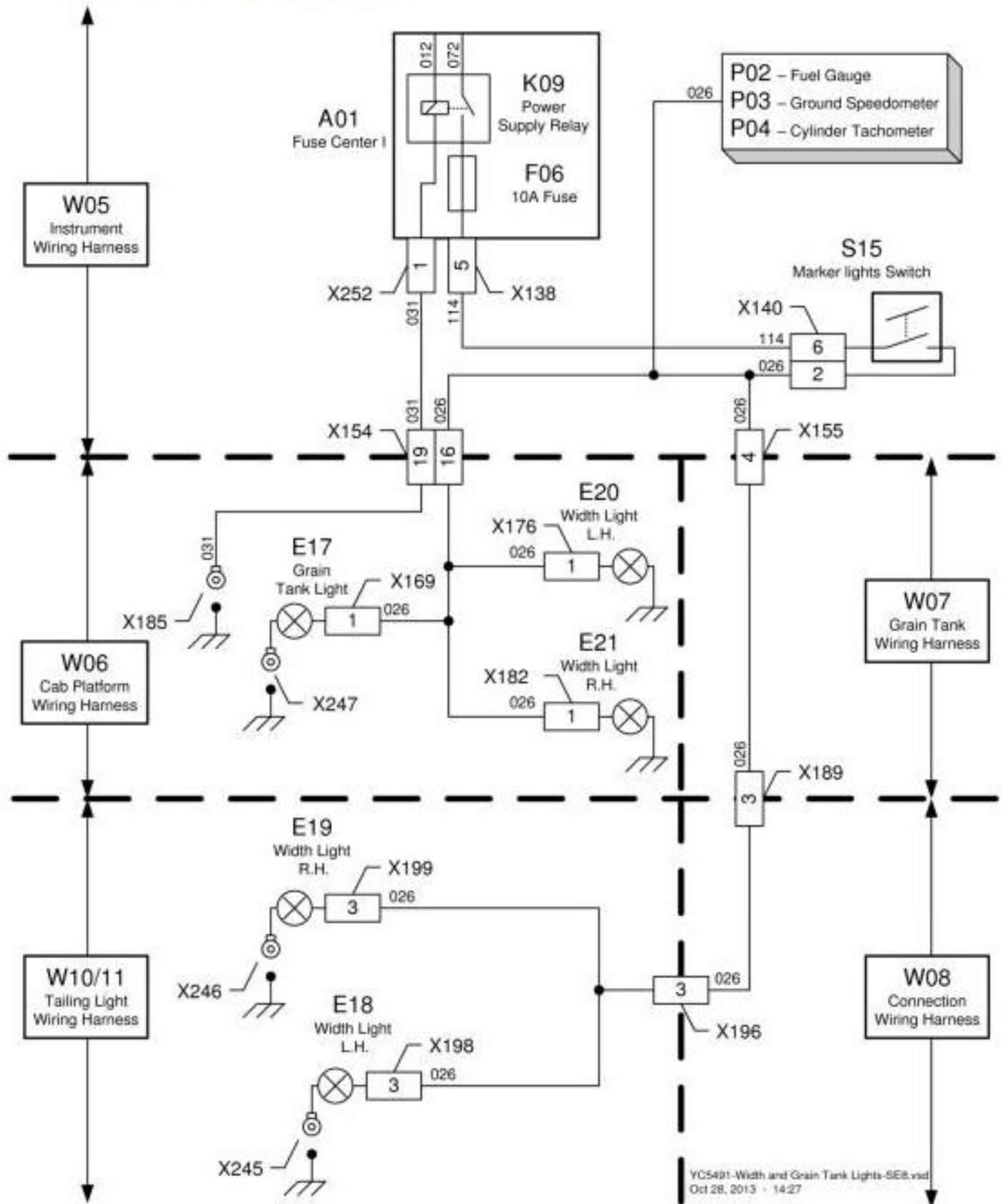
In this manual you will find detailed specifications, illustrations, schematics, diagrams and step-by-step procedures to properly service and diagnose the machine to the manufacturer's standards.

**Contents:**

- General Information
- Specifications
- Serial Number Location
- Engine Specifications
- Engine Diagnostics
- Engine Tests and Adjustments
- Engine Repair
- Power Train
- Transmission
- Axles
- Differential
- PTO
- Hydraulic System
- Electrical System
- Electrical Tests and Diagnostics
- Wiring Diagram / Schematic
- Ignition and Charging
- Steering
- Brakes
- Wheels
- Operator's Platform
- Body Panels
- Disassembly and Assembly
- Diagnostics, Tests and Adjustments
- Troubleshooting
- and much more...

Please note this manual is in **downloadable PDF format only**. If you have any questions about this product or would like to request sample pages, please contact us and reference the product name or SKU.

# Width and Grain Tank Lights



## Width and Grain Tank Lights

**LEGEND:**

- A01 Fuse Center One
- E17 Grain Tank Light
- E18 Left-Hand Side Rear Width Light



Thank you very much  
for your reading.  
Please click here  
to get more information.