

# John Deere 950J Crawler Dozer Service Repair Technical Manual (TM2364)

## 950J Crawler Dozer Repair

### REPAIR TECHNICAL MANUAL

Dozer models 950J

TM2364 29 DEC 13 (ENGLISH)

For complete service information also see:

950J Crawler Dozer Diagnostic	TM2363
Alternators and Starting Motors	CTM77
Super Caddy Oil Cleanup Procedure	CTM310
Hydrostatic Pump Repair Instructions	CTM10010
Hydrostatic Motor Repair Instructions	CTM10009
Ultrasonic Undercarriage Measurement Gauge	CTM10001

PDF



DOWNLOAD



John Deere Construction and Forestry

**Type:** Service Manual

**Language:** English

**Pages:** 500

**Format:** PDF

**Features:** Bookmarked, searchable, printable

**Compatibility:** Windows/Mac/Tablet/Mobile

This service manual contains important information for the maintenance, troubleshooting and servicing of the **John Deere 950J Crawler Dozer Service Repair Technical Manual (TM2364)**

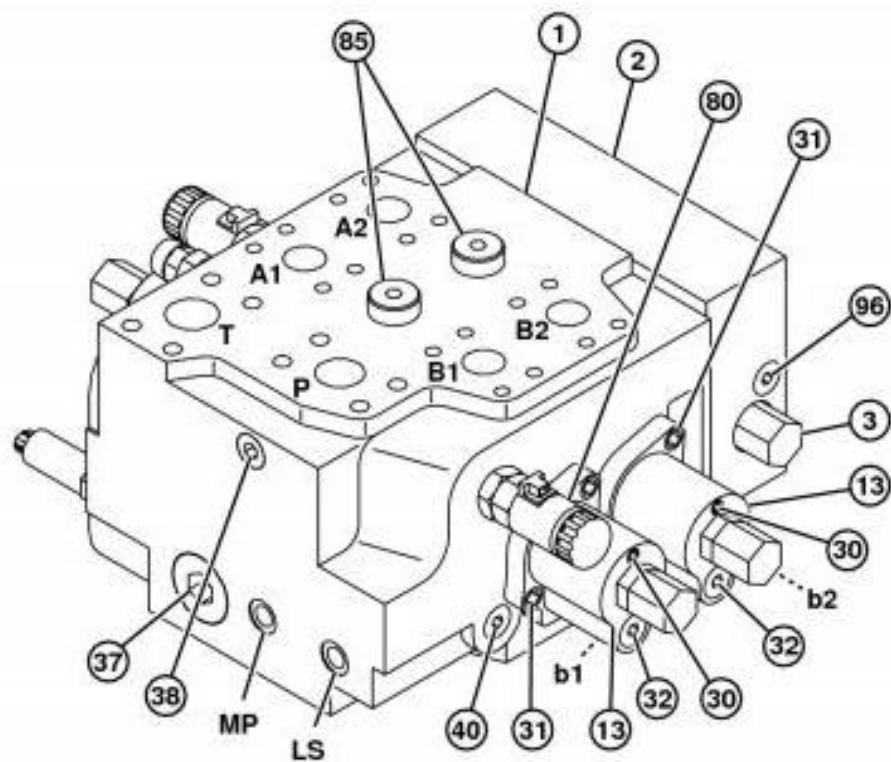
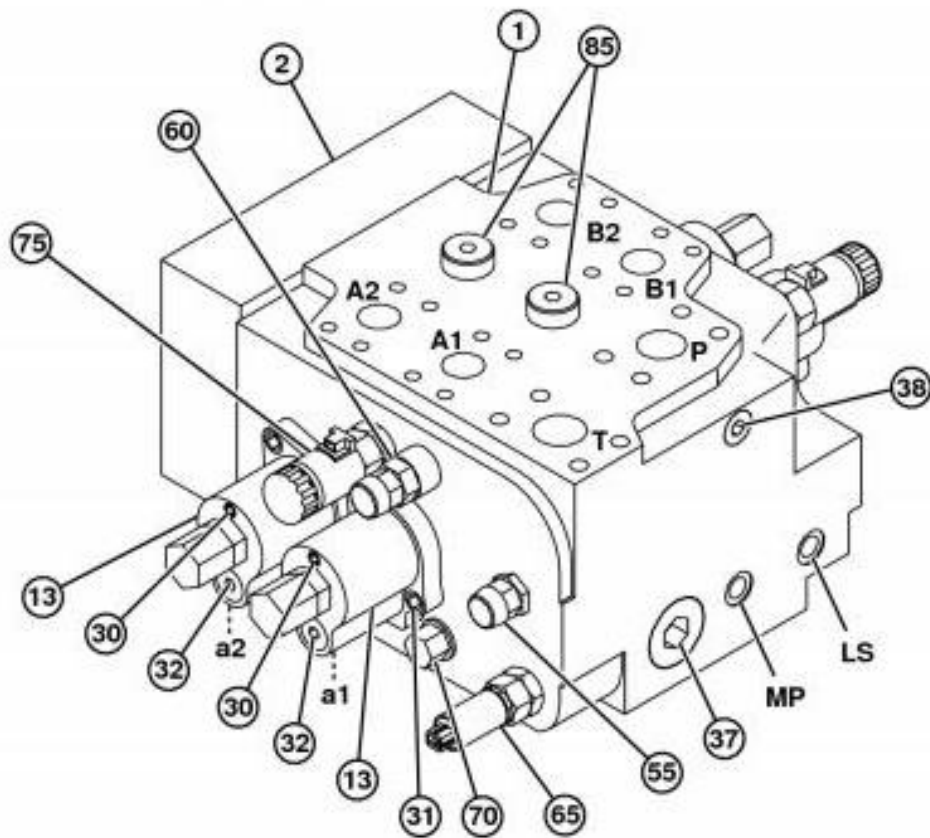
In this manual you will find detailed specifications, illustrations, schematics, diagrams and step-by-step procedures to properly service and diagnose the machine to the manufacturer's standards.

**Contents:**

- General Information
- Specifications
- Serial Number Location
- Engine Specifications
- Engine Diagnostics
- Engine Tests and Adjustments
- Engine Repair
- Power Train
- Transmission
- Axles
- Differential
- PTO
- Hydraulic System
- Electrical System
- Electrical Tests and Diagnostics
- Wiring Diagram / Schematic
- Ignition and Charging
- Steering
- Brakes
- Wheels
- Operator's Platform
- Body Panels
- Disassembly and Assembly
- Diagnostics, Tests and Adjustments
- Troubleshooting
- and much more...

Please note this manual is in **downloadable PDF format only**. If you have any questions about this product or would like to request sample pages, please contact us and reference the product name or SKU.

## Main Control Valve Disassemble and Assemble



TX1009569

### Control Valve Component Location

#### LEGEND:

- |   |  |
|---|--|
| 1 | Valve Body                             |
| 2 | End Plate                              |
| 3 | Standby and Pump Pressure Relief Valve |



Thank you very much  
for your reading.  
Please click here  
to get more information.