


John Deere 9560 and 9660 Combines (SN. 705201-) Service Repair Technical Manual (TM2161)



3554 Logger Service Manual

JOHN HARE

COLLECTION



TECHNICAL MANUAL
Delimber models 3554
TM2106 14 SEP 15 (ENGLISH)

For complete service information also see:

330CLC and 370C Excavator Repair	TM1927
330CLC and 370C Excavator Diagnostic	TM1926

PDF  **DOWNLOAD** 

John Deere Construction and Forestry
Printed by Belgreen



Covers: 705201-);,9560,9660

Type: Service Manual

Language: English

Pages: 1580

Format: PDF

Features: Bookmarked, searchable, printable

Compatibility: Windows/Mac/Tablet/Mobile

This service manual contains important information for the maintenance, troubleshooting and servicing of the **John Deere 9560 and 9660 Combines (SN. 705201-) Service Repair Technical Manual (TM2161)**

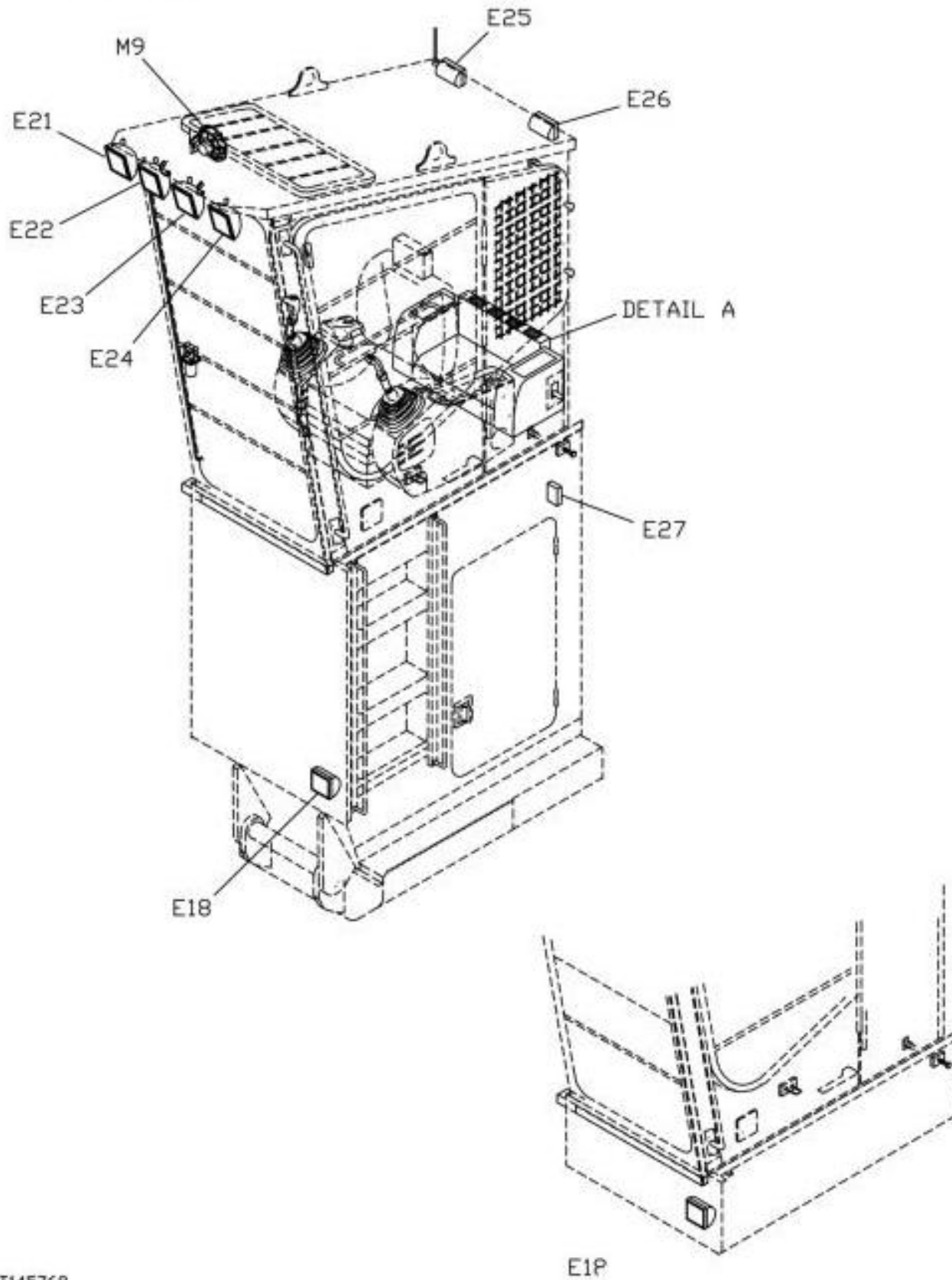
In this manual you will find detailed specifications, illustrations, schematics, diagrams and step-by-step procedures to properly service and diagnose the machine to the manufacturer's standards.

Contents:

- General Information
- Specifications
- Serial Number Location
- Engine Specifications
- Engine Diagnostics
- Engine Tests and Adjustments
- Engine Repair
- Power Train
- Transmission
- Axles
- Differential
- PTO
- Hydraulic System
- Electrical System
- Electrical Tests and Diagnostics
- Wiring Diagram / Schematic
- Ignition and Charging
- Steering
- Brakes
- Wheels
- Operator's Platform
- Body Panels
- Disassembly and Assembly
- Diagnostics, Tests and Adjustments
- Troubleshooting
- and much more...

Please note this manual is in **downloadable PDF format only**. If you have any questions about this product or would like to request sample pages, please contact us and reference the product name or SKU.

Side Entry Cab Component Location



T145768

Side Entry Cab Component Location

LEGEND:

1	48" riser
2	7" Riser
E18	Riser Drive Light
E21	Front Work Light



Thank you very much
for your reading.
Please click here
to get more information.