

John Deere 9650 CTS Combines Diagnostic & Tests Service Manual (TM1822)

9650 CTS Combine Diagnosis and Tests

DIAGNOSIS AND TESTS MANUAL

Combines models 9650CTS

TM1822 02 NOV 14 (ENGLISH)

For complete service information also see:

Starfire Real Time Kinematic (RTK) Base Station Diagnosis and Tests	TM2820
9650 CTS Combine Repair	TM1821
GreenStar 00 & 10 Series Combine Yield Monitor & Mapping System	TM1728
PowerTech 8.1 L Diesel Engines Base Engine	CTM86
Alternators and OEM Engine Accessories	CTM77
Cam Lobe Motors	
PowerTech 6.8L and 8.1L Diesel Engines (Level 3 ECU Systems with Bosch In-Line	
PowerTech 4.5L & 6.8L Diesel Engines Tier 1/Stage I, Tier 2/Stage II, Tier 3/Stage IIIA, Tier 3/Stage IIA Tier 3/Stage III, (Base Engine)	CTM104

PDF



DOWNLOAD



John Deere Agriculture

Covers: 9650CTS,695400,700401-705400)

Type: Service Manual

Language: English

Pages: 3126

Format: PDF

Features: Bookmarked, searchable, printable

Compatibility: Windows/Mac/Tablet/Mobile

This service manual contains important information for the maintenance, troubleshooting and servicing of the **John Deere 9650 CTS Combines Diagnostic & Tests Service Manual (TM1822)**

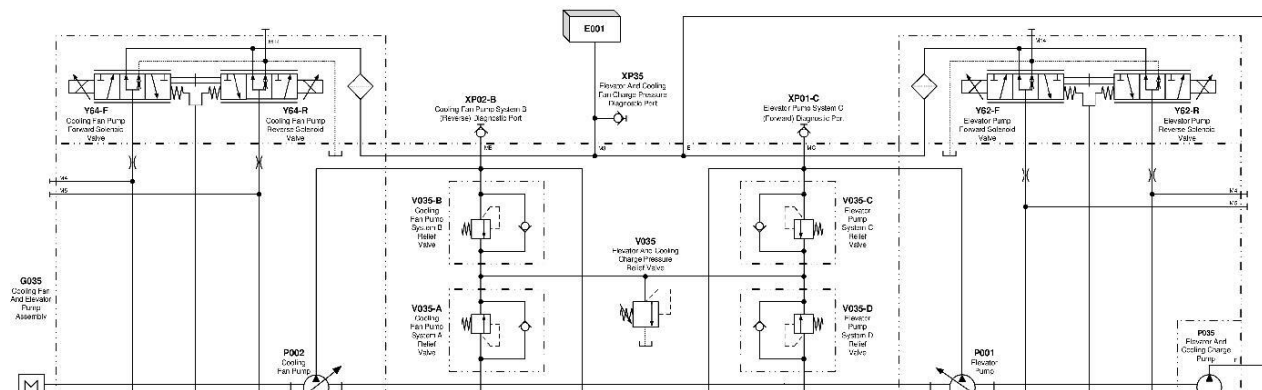
In this manual you will find detailed specifications, illustrations, schematics, diagrams and step-by-step procedures to properly service and diagnose the machine to the manufacturer's standards.

Contents:

- General Information
- Specifications
- Serial Number Location
- Engine Specifications
- Engine Diagnostics
- Engine Tests and Adjustments
- Engine Repair
- Power Train
- Transmission
- Axles
- Differential
- PTO
- Hydraulic System
- Electrical System
- Electrical Tests and Diagnostics
- Wiring Diagram / Schematic
- Ignition and Charging
- Steering
- Brakes
- Wheels
- Operator's Platform
- Body Panels
- Disassembly and Assembly
- Diagnostics, Tests and Adjustments
- Troubleshooting
- and much more...

Please note this manual is in **downloadable PDF format only**. If you have any questions about this product or would like to request sample pages, please contact us and reference the product name or SKU.

Reversible Cooling Fan Hydraulic Schematic





Thank you very much
for your reading.
Please click here
to get more information.