

# John Deere /Bauer Planters (SN.755101-) SeedStar,Frame,Hydraulics Diagnostics Service Manual TM132119

## 770G, 770GP, 772G and 772GP Motor Graders Repair

(PIN: 1DW770G\_\_F680878—;  
PIN: 1DW772G\_\_F680878—;  
PIN: 1DW770G\_\_L700954—;  
PIN: 1DW772G\_\_L700954—)



JOHN HARE



COLLECTION

### REPAIR MANUAL

#### 770G, 770GP, 772G and 772GP Motor Graders

(PIN: 1DW770G\_\_F680878—; PIN: 1DW772G\_\_F680878—;  
PIN: 1DW770G\_\_L700954—; PIN: 1DW772G\_\_L700954—)

TM132119 01DEC18 (ENGLISH)

For complete service information

PDF



DOWNLOAD



770G, 770GP, 772G and 772GP Motor Graders  
and Test..... dtn138619  
TeamMate™ II 1400 Series Inboard Planter  
DF180 Series Powershift Transmission Repair Manual..... dtn308  
6090 PowerTech™ OEM Diesel Engines (Final Tier 4/Stage  
IV platform)..... dtn117719  
Hydraulic Cylinders..... dtn120519

Worldwide Construction and  
Forestry Division

**Covers:** 755101);,DB37,DB44,DB55,DB58,DB60,DB66,DB74,DB80,DB83,D

**Type:** Service Manual

**Language:** English

**Pages:** 1776

**Format:** PDF

**Features:** Bookmarked, searchable, printable

**Compatibility:** Windows/Mac/Tablet/Mobile

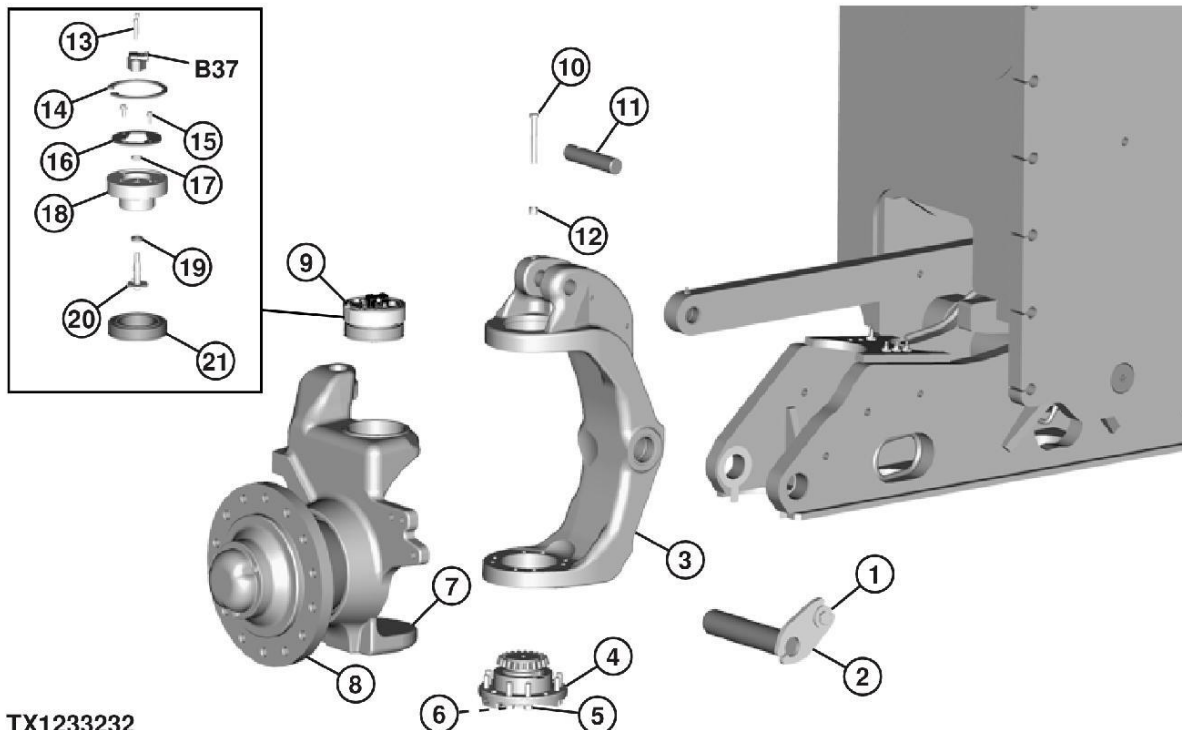
This service manual contains important information for the maintenance, troubleshooting and servicing of the **John Deere /Bauer Planters (SN.755101-) SeedStar,Frame,Hydraulics Diagnostics Service Manual TM132119**

In this manual you will find detailed specifications, illustrations, schematics, diagrams and step-by-step procedures to properly service and diagnose the machine to the manufacturer's standards.

**Contents:**

- General Information
- Specifications
- Serial Number Location
- Engine Specifications
- Engine Diagnostics
- Engine Tests and Adjustments
- Engine Repair
- Power Train
- Transmission
- Axles
- Differential
- PTO
- Hydraulic System
- Electrical System
- Electrical Tests and Diagnostics
- Wiring Diagram / Schematic
- Ignition and Charging
- Steering
- Brakes
- Wheels
- Operator's Platform
- Body Panels
- Disassembly and Assembly
- Diagnostics, Tests and Adjustments
- Troubleshooting
- and much more...

Please note this manual is in **downloadable PDF format only**. If you have any questions about this product or would like to request sample pages, please contact us and reference the product name or SKU.



8. **TX1233232**

TX1233232-UN: Wheel Hub, Spindle, and Yoke—Non Six-Wheel Drive (6WD [right side shown])

**LEGEND:**

**1-Yoke Pin Cap Screw**

**2-Yoke Pin**

**3-Yoke**

**4-Lower King Pin Assembly**

**5-Lower King Pin Cap Screw (8 used)**

**6-Threaded Hole (2 used)**

**7-Spindle**

**8-Wheel Hub**

**9-Upper King Pin Assembly With Steering Angle Sensor**

**10-Lean Bar Linkage Cap Screw (6 used)**

**11-Lean Bar Linkage Pin**

**12-Lean Bar Linkage Retainer**

**13-Steering Angle Sensor Cap Screw (2 used)**

**14-Snap Ring**

**15-Spacer Plate Cap Screw (2 used)**

**16-Spacer Plate**

**17-O-Ring**

**18-Upper King Pin**

**19-Seal**

**20-Steering Angle Sensor Locating Pin**

**21-Bearing Assembly**

**B37-Steering Angle Sensor**

Remove lower king pin cap screws (5).

9. Insert cap screw into threaded hole (6) on opposite sides of lower king pin assembly (4) to remove king pin.
10. Remove steering angle sensor (B37) (right side only). [See Steering Angle Sensor Remove and Install.](#) (Group 9015-20.)
11. Remove upper king pin (18) and bearing assembly (21) using appropriate puller.
12. Remove steering angle sensor locating pin (20).
13. Remove wheel hub (8) and spindle (7) assembly from yoke (3).
14. Clean, inspect, and replace parts as necessary.
15. Install wheel hub and spindle assembly into yoke.
16. Install steering angle sensor locating pin.
17. Install upper king pin and bearing assembly.
18. Install steering angle sensor. [See Steering Angle Sensor Remove and Install.](#) (Group 9015-20.)
19. Install lower king pin assembly.
20. Install front wheel. [See Wheel Remove and Install.](#) (Group 0110.)
21. Remove shop stand and lower machine.
22. Remove articulation lock pin. [See Locking Machine Frame - document OMT390949X19 - \(Operator's Manual.\)](#)

JL26034,00002D4-19-20170328



Thank you very much  
for your reading.  
Please click here  
to get more information.