

John Deere C441R Wrapping Baler Service Repair Technical Manual (TM301819)

624J 4WD Loader (S.N.
611797-) Repair



REPAIR TECHNICAL MANUAL

4WD Loaders models 624J (S.N. 611797-)

TM10245 16 FEB 16 (ENGLISH)



John Deere Construction and Forestry
Printed by Belgreen



Covers: C441R

Type: Service Manual

Language: English

Pages: 298

Format: PDF

Features: Bookmarked, searchable, printable

Compatibility: Windows/Mac/Tablet/Mobile

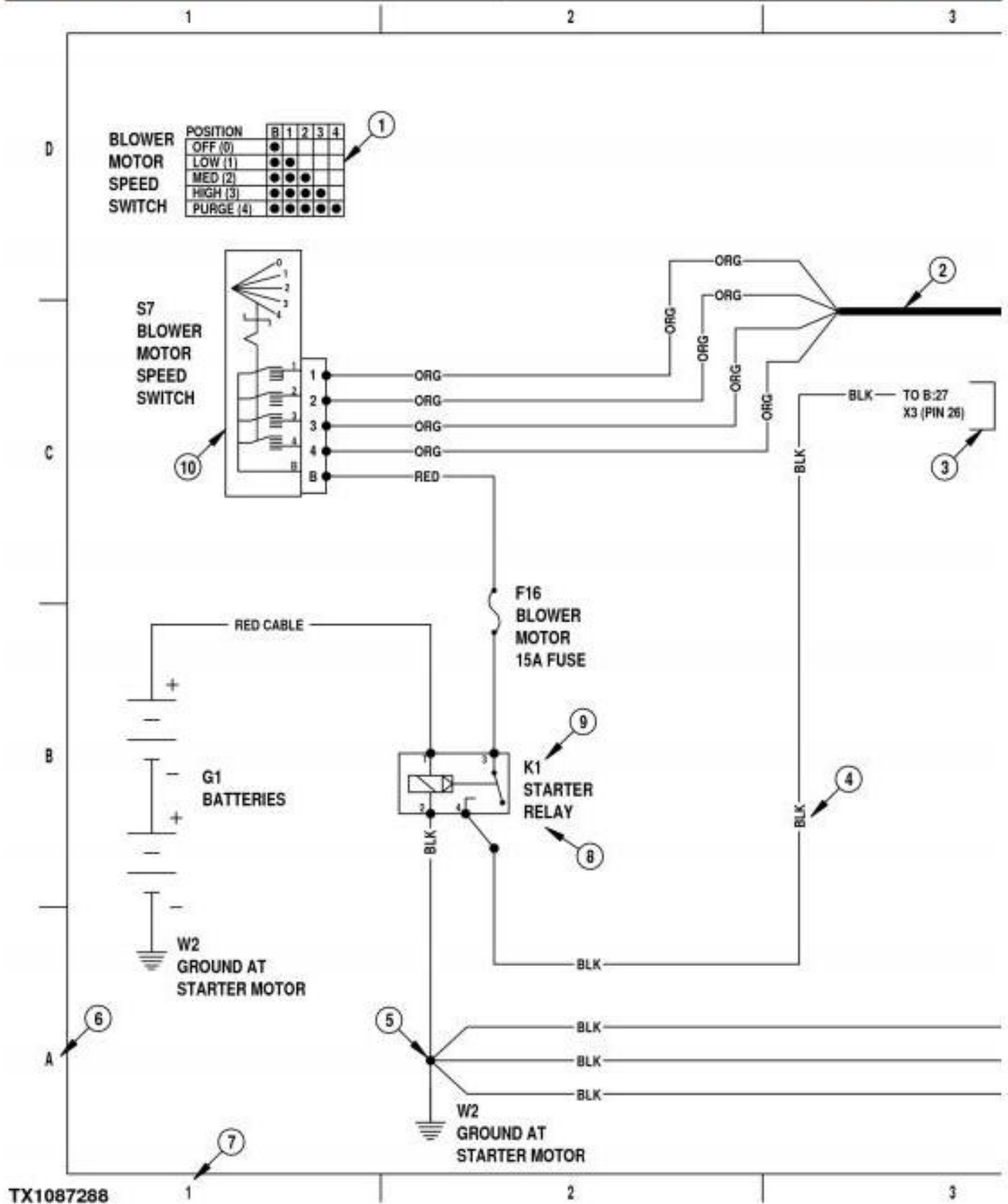
This service manual contains important information for the maintenance, troubleshooting and servicing of the **John Deere C441R Wrapping Baler Service Repair Technical Manual (TM301819)**

In this manual you will find detailed specifications, illustrations, schematics, diagrams and step-by-step procedures to properly service and diagnose the machine to the manufacturer's standards.

Contents:

- General Information
- Specifications
- Serial Number Location
- Engine Specifications
- Engine Diagnostics
- Engine Tests and Adjustments
- Engine Repair
- Power Train
- Transmission
- Axles
- Differential
- PTO
- Hydraulic System
- Electrical System
- Electrical Tests and Diagnostics
- Wiring Diagram / Schematic
- Ignition and Charging
- Steering
- Brakes
- Wheels
- Operator's Platform
- Body Panels
- Disassembly and Assembly
- Diagnostics, Tests and Adjustments
- Troubleshooting
- and much more...

Please note this manual is in **downloadable PDF format only**. If you have any questions about this product or would like to request sample pages, please contact us and reference the product name or SKU.



System Functional Schematic Diagram

LEGEND:

- 1 Continuity Chart
- 2 Wire Bundle
- 3 Routing Location Information
- 4 Wire Identification
- 5 Wire Splice



Thank you very much
for your reading.
Please click here
to get more information.