

# John Deere Commercial Walk-Behind Mower 7G18 (SN.020001-) Diagnostic, Repair Technical Service Manual (tm2220)

759G (SN. from 001032-),  
608L Leveling Tracked  
Feller Buncher Repair



## REPAIR TECHNICAL MANUAL

Track models 608L, 759G (SN. 759G001032- )

TM2219 03 MAR 14 (ENGLISH)

**For complete service information also see:**

753G/753GL/608S/608B/608L HARVESTER Tests	TMF387452
753GL/608L TRACKED FELLER BUNCHER Repair	TMF387451
608L / 753GL FELLER BUNCHER Diagnostic	TMF387450
759G Leveling Feller Buncher 759G (SN. from 001035)	TM2218
PowerTech 8.1 L Diesel Engines	CTM86
Alternators and Stators	
Super Caddy Oil Cooler	
PowerTech 8.1L Diesel Engine Pressure Common Rail	
PowerTech 6.8L and 8.1L, 6068 and 6068A Engines (Level 3 Electronic Fuel Systems with Bosch In-Line Pump)	CTM134

PDF



DOWNLOAD



John Deere Construction and Forestry  
Printed by Belgreen



TM2219

Covers: 7G18,020001)

**Type:** Service Manual

**Language:** English

**Pages:** 206

**Format:** PDF

**Features:** Bookmarked, searchable, printable

**Compatibility:** Windows/Mac/Tablet/Mobile

This service manual contains important information for the maintenance, troubleshooting and servicing of the **John Deere Commercial Walk-Behind Mower 7G18 (SN.020001-) Diagnostic, Repair Technical Service Manual (tm2220)**

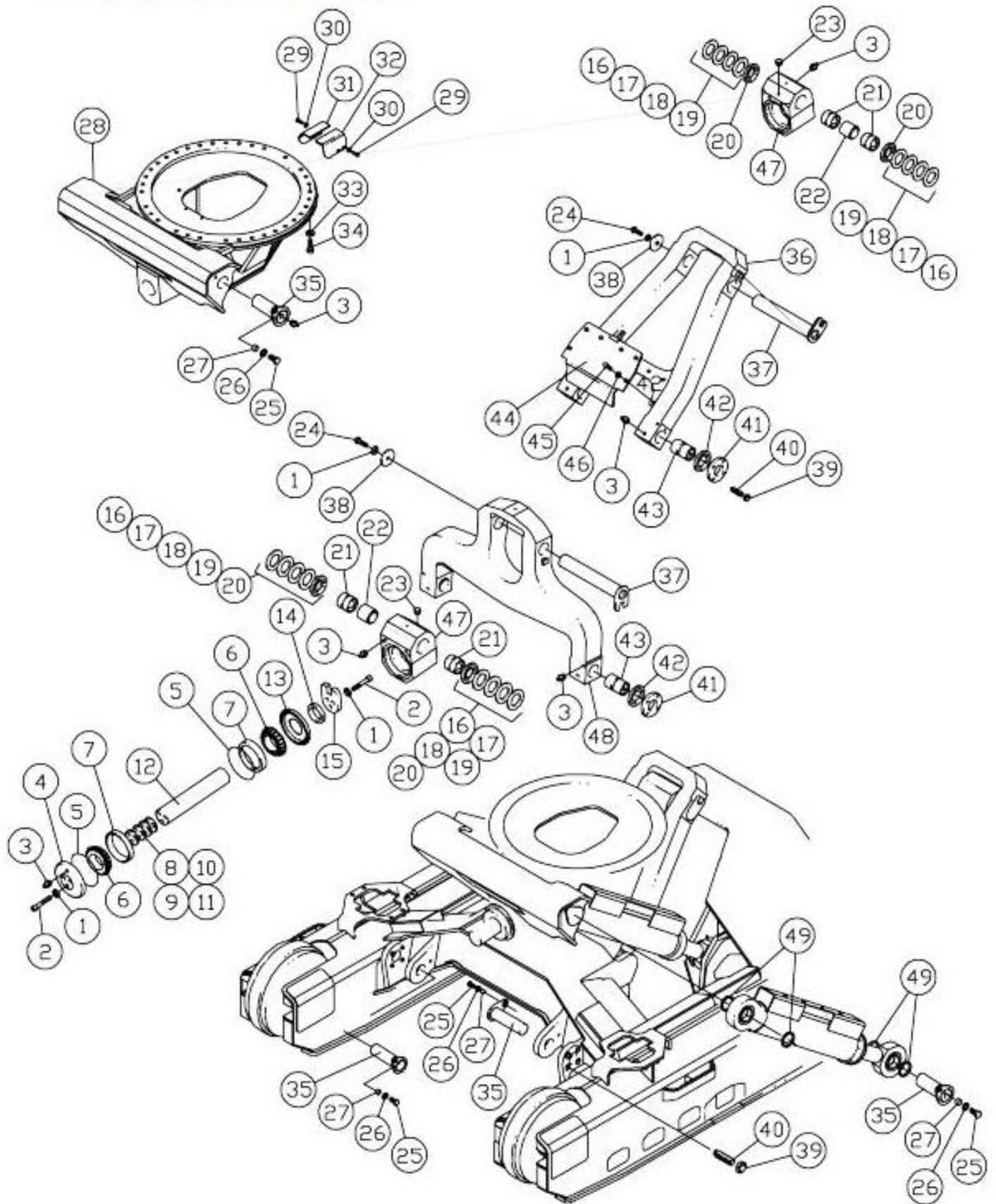
In this manual you will find detailed specifications, illustrations, schematics, diagrams and step-by-step procedures to properly service and diagnose the machine to the manufacturer's standards.

**Contents:**

- General Information
- Specifications
- Serial Number Location
- Engine Specifications
- Engine Diagnostics
- Engine Tests and Adjustments
- Engine Repair
- Power Train
- Transmission
- Axles
- Differential
- PTO
- Hydraulic System
- Electrical System
- Electrical Tests and Diagnostics
- Wiring Diagram / Schematic
- Ignition and Charging
- Steering
- Brakes
- Wheels
- Operator's Platform
- Body Panels
- Disassembly and Assembly
- Diagnostics, Tests and Adjustments
- Troubleshooting
- and much more...

Please note this manual is in **downloadable PDF format only**. If you have any questions about this product or would like to request sample pages, please contact us and reference the product name or SKU.

# Levelling Frame Parts Detail



## Frame Parts Detail

### LEGEND:

1	Washer
2	Cap Screw
3	Grease Fitting



Thank you very much  
for your reading.  
Please click here  
to get more information.