

John Deere Compact Utility Tractors 4120, 4320, 4520, 4720 Without Cab Technical Service Manual (tm2137)

210LJ LANDSCAPE LOADER OPERATION AND TEST



JOHN HARE



COLLECTION

OPERATION AND TEST MANUAL

210LJ Landscape Loader

TM10730 18 OCT 13 (English)

For complete service information also see:

210LJ Landscape Loader Repair	TM10731
PowerTech E 4.5 and 6.8L Diesel Engines Level 16 Electronic Fuel System With Denso HPCR	CTM502
Super Caddy Oil Cleanup Procedure	CTM310
Hydraulic Cylinders	CTM120519
120 Series Hydraulic Cylinders	
PowerTech 4.5L & 6.8L Diesel Engines Level 16 Electronic Fuel System With Denso HPCR, Tier 3/Stage IIA Tier 3/Stage IIB	
100 Series Hydraulic Cylinders	

PDF



DOWNLOAD



John Deere Construction and Forestry
Printed by Belgreen



Covers: 4120,(SN.120101-610000),4320,130101-620000),4520,150101

Type: Service Manual

Language: English

Pages: 885

Format: PDF

Features: Bookmarked, searchable, printable

Compatibility: Windows/Mac/Tablet/Mobile

This service manual contains important information for the maintenance, troubleshooting and servicing of the **John Deere Compact Utility Tractors 4120, 4320, 4520, 4720 Without Cab Technical Service Manual (tm2137)**

In this manual you will find detailed specifications, illustrations, schematics, diagrams and step-by-step procedures to properly service and diagnose the machine to the manufacturer's standards.

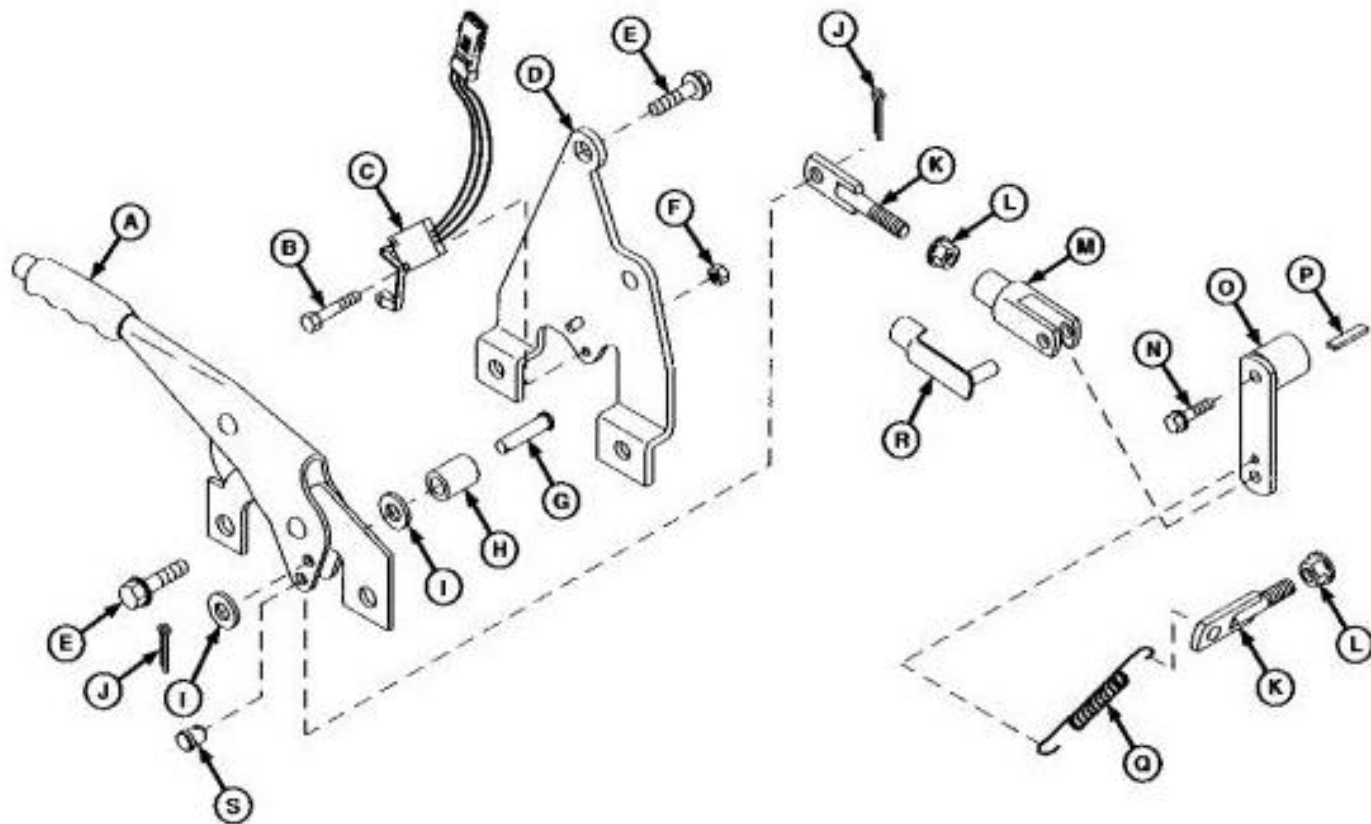
Contents:

- General Information
- Specifications
- Serial Number Location
- Engine Specifications
- Engine Diagnostics
- Engine Tests and Adjustments
- Engine Repair
- Power Train
- Transmission
- Axles
- Differential
- PTO
- Hydraulic System
- Electrical System
- Electrical Tests and Diagnostics
- Wiring Diagram / Schematic
- Ignition and Charging
- Steering
- Brakes
- Wheels
- Operator's Platform
- Body Panels
- Disassembly and Assembly
- Diagnostics, Tests and Adjustments
- Troubleshooting
- and much more...

Please note this manual is in **downloadable PDF format only**. If you have any questions about this product or would like to request sample pages, please contact us and reference the product name or SKU.

Inspect and Repair Park Brake Lever (if equipped)

[1] -



Exploded View of Park Brake Lever

LEGEND:

A	Park Brake Lever
B	Cap Screw (2 used)
C	Switch
D	Bracket
E	Cap Screw
F	Nut
G	Pin
H	Sleeve
I	Washer (2 used)
J	Cotter Pin
K	Strap
L	Flange Nut
M	Yoke
N	Screw
O	Lever
P	Shaft Key
Q	Extension Spring
R	Spring Locking Pin
S	Pin

Remove left-hand fender.

[2] - Inspect park brake lever assembly for wear or damage. Replace if necessary.

[3] - Adjust park brake lever.

[4] - Install left-hand fender.



Thank you very much
for your reading.
Please click here
to get more information.