

# John Deere E130, E130LC (SN.from D300003) Excavator Repair Technical Manual (TM14153X19)

## E130 and E130LC Excavator Repair

(PIN: 1YNE14A\_\_D300013—;  
PIN: 1YNE13A\_\_D300003—)



JOHN HARE



COLLECTION

### REPAIR TECHNICAL MANUAL

#### E130 and E130LC Excavator

(PIN: 1YNE14A\_\_D300013—; PIN: 1YNE13A\_\_D300003—)

TM14153X19 01DEC18 (ENGLISH)

For complete service information, see the



DOWNLOAD



E130 and E130LC Excavator Operation and Maintenance Manual  
E130 and E130LC Excavator Operation and Maintenance Manual  
PowerTech E 4.5 and 6.8L Diesel Engines  
Electronic Fuel System With Denso HPCR.....  
PowerTech 4.5L & 6.8L Diesel Engines Tier 1/Stage I, Tier 2/Stage II, Tier 3/Stage IIIA, Tier 3/Stage IIA Tier 3/Stage IIB, (Base Engine)..... ctm104

John Deere Tianjin  
Construction Works

Covers: E130,1YNE14A\_\_,D300013(???)?,E130LC,1YNE13A\_\_,D300003

**Type:** Service Manual

**Language:** English

**Pages:** 303

**Format:** PDF

**Features:** Bookmarked, searchable, printable

**Compatibility:** Windows/Mac/Tablet/Mobile

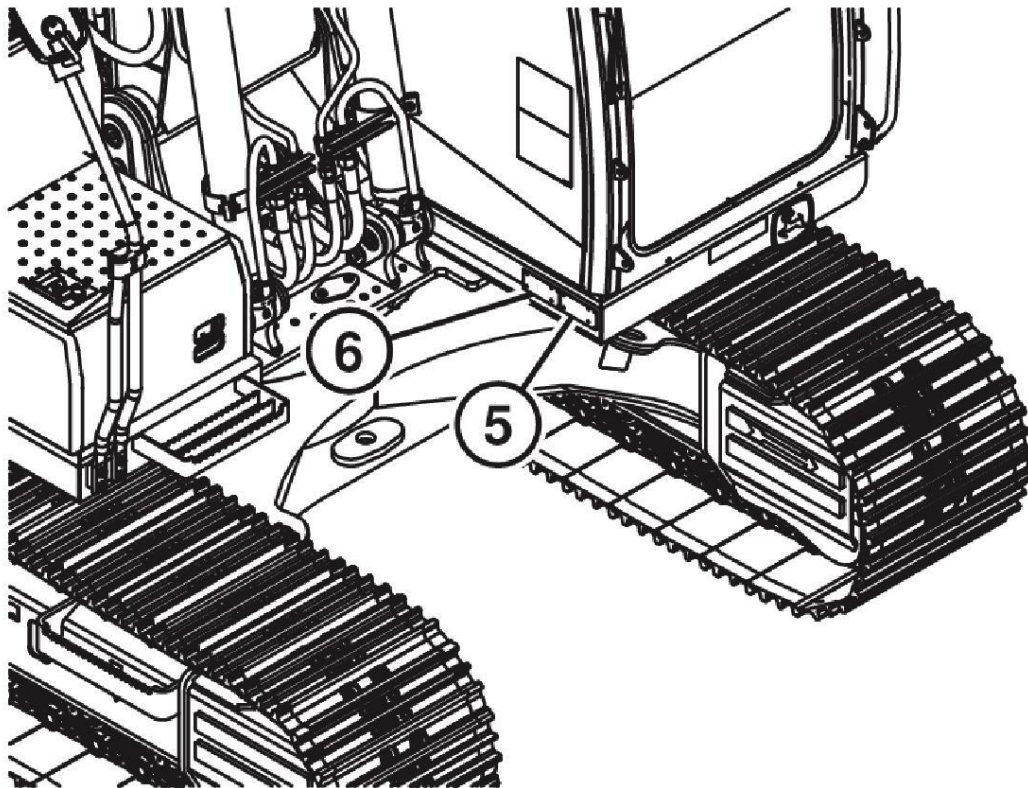
This service manual contains important information for the maintenance, troubleshooting and servicing of the **John Deere E130, E130LC (SN.from D300003) Excavator Repair Technical Manual (TM14153X19)**

In this manual you will find detailed specifications, illustrations, schematics, diagrams and step-by-step procedures to properly service and diagnose the machine to the manufacturer's standards.

**Contents:**

- General Information
- Specifications
- Serial Number Location
- Engine Specifications
- Engine Diagnostics
- Engine Tests and Adjustments
- Engine Repair
- Power Train
- Transmission
- Axles
- Differential
- PTO
- Hydraulic System
- Electrical System
- Electrical Tests and Diagnostics
- Wiring Diagram / Schematic
- Ignition and Charging
- Steering
- Brakes
- Wheels
- Operator's Platform
- Body Panels
- Disassembly and Assembly
- Diagnostics, Tests and Adjustments
- Troubleshooting
- and much more...

Please note this manual is in **downloadable PDF format only**. If you have any questions about this product or would like to request sample pages, please contact us and reference the product name or SKU.



YN1246115-UN: PIN Plate and EAC Decal Locations (EAEU market)

A diagram of a rectangular PIN Plate with rounded corners and four mounting holes. The text on the plate is as follows:

**JOHN DEERE**

②

①

<b>挖掘机</b>	<input type="text"/>	<b>工作质量</b>	<input type="text"/> kg
<b>生产年份</b>	<input type="text"/>	<b>额定净功率</b>	<input type="text"/> kW

约翰迪尔 美国伊利诺伊州莫林市  
 约翰迪尔(天津)有限公司  
 中国天津经济技术开发区第十三大街89号

YN1246032-UN: China PIN Plate



Thank you very much  
for your reading.  
Please click here  
to get more information.