

John Deere E18ZS (SN. from D016000) Excavator Operation & Test Technical Service Manual (TM14361X19)

**E18ZS Excavator
Operation and Test**

(PIN: WNCE018A_
_D016000—)



JOHN HARE



COLLECTION

**OPERATION & TEST TECHNICAL MANUAL
E18ZS Excavator (PIN: WNCE018A__D016000—)**

TM14361X19 01DEC18 (ENGLISH)

For complete service information also see:

E185ZS Excavator om1474367x19
E18ZS Excavator Repair TM14362X19



John Deere Tianjin
Construction Works

Covers: E18ZS,WNCE018A__,D016000(???)

Type: Service Manual

Language: English

Pages: 100

Format: PDF

Features: Bookmarked, searchable, printable

Compatibility: Windows/Mac/Tablet/Mobile

This service manual contains important information for the maintenance, troubleshooting and servicing of the **John Deere E18ZS (SN. from D016000) Excavator Operation & Test Technical Service Manual (TM14361X19)**

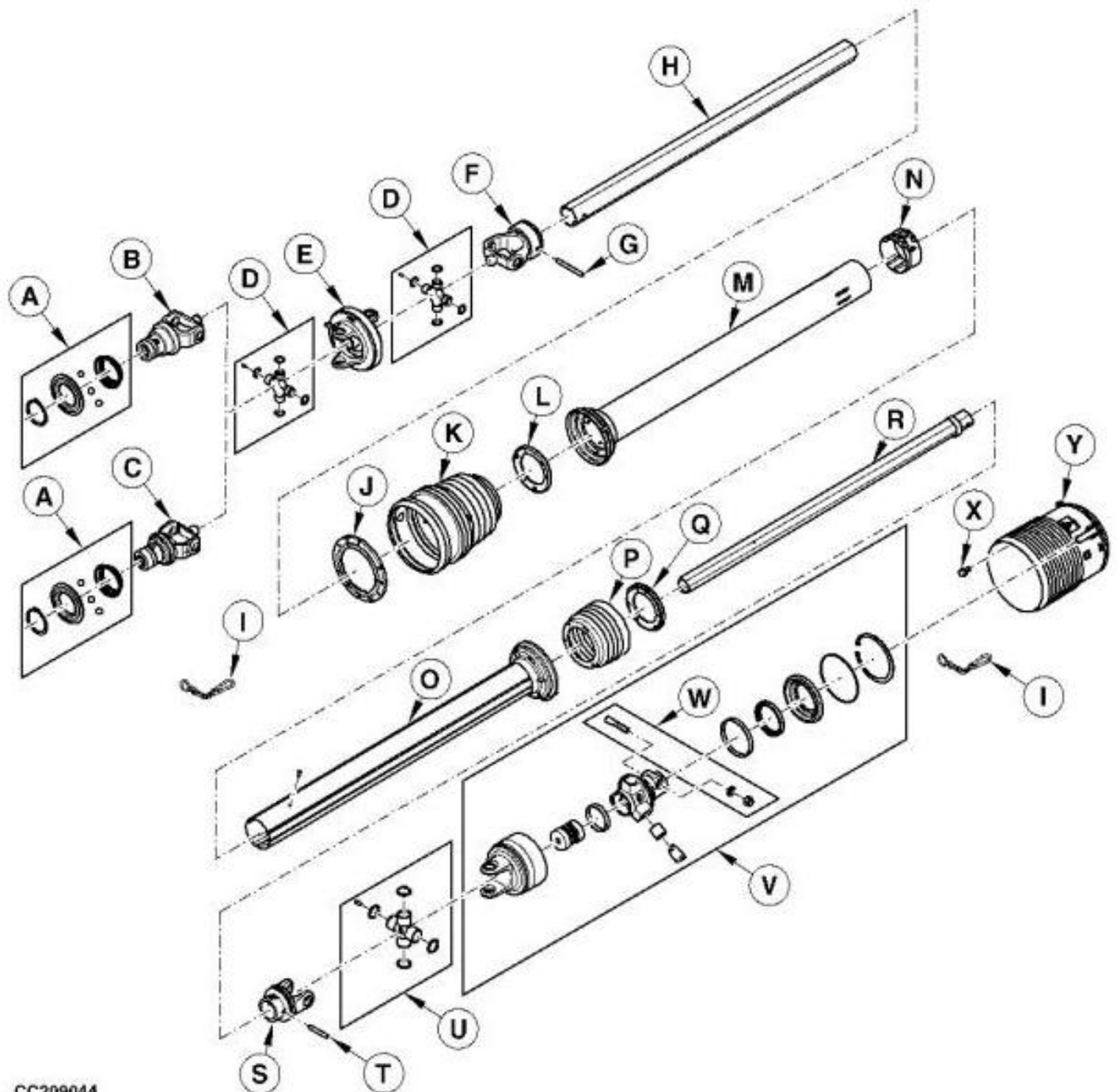
In this manual you will find detailed specifications, illustrations, schematics, diagrams and step-by-step procedures to properly service and diagnose the machine to the manufacturer's standards.

Contents:

- General Information
- Specifications
- Serial Number Location
- Engine Specifications
- Engine Diagnostics
- Engine Tests and Adjustments
- Engine Repair
- Power Train
- Transmission
- Axles
- Differential
- PTO
- Hydraulic System
- Electrical System
- Electrical Tests and Diagnostics
- Wiring Diagram / Schematic
- Ignition and Charging
- Steering
- Brakes
- Wheels
- Operator's Platform
- Body Panels
- Disassembly and Assembly
- Diagnostics, Tests and Adjustments
- Troubleshooting
- and much more...

Please note this manual is in **downloadable PDF format only**. If you have any questions about this product or would like to request sample pages, please contact us and reference the product name or SKU.

Exploded View of Input Driveline (F440R Baler with 1000 rpm Gear Case)



CC209044

Exploded View Input Driveline F440R with 1000 rpm Gear Case

LEGEND:

A	Automatic Locking Collar
B	Yoke (6 Splines)
C	Yoke (21 Splines)
D	Universal Joint Cross
E	CV Joint
F	Yoke
G	Spring Pin
H	Outer Driveshaft Free Rotation Tube
I	Safety Chain
J	Bearing Ring
K	Powershaft Guard
L	Bearing Ring



Thank you very much
for your reading.
Please click here
to get more information.