

John Deere E210, E210LC, E230LC Excavator Diagnostic, Operation and Test Service Manual (TM12729)

870G, 870GP, 872G and 872GP Motor Graders Operation and Test

(PIN: 1DW870G__C678818—680877;
PIN: 1DW870G__D678818—680877;
PIN: 1DW872G__C678818—680877;
PIN: 1DW872G__D678818—680877)



JOHN HARE



COLLECTION

OPERATION & TEST TECHNICAL MANUAL

870G, 870GP, 872G and 872GP Motor Graders

(PIN:1DW870G__C678818—680877;
PIN: 1DW870G__D678818—680877;
PIN: 1DW872G__C678818—680877;
PIN: 1DW872G__D678818—680877)
TM14077X19 01DEC18 (ENGLISH)



For complete service information, see the following table:

870G, 870GP, 872G and 872GP Motor Graders Operators Manual.....	TM14080X19
DF230 Series Transmission Repair Manual.....	ctm362
6090 PowerTech™ OEM Diesel Engines (Final Tier 4/ Stage IV platform).....	ctm117719
PowerTech 6090 Diesel Engine Level 14 Electronic Fuel System with the Denso High Pressure Common Rail (HPCR) Level 14 ECU.....	ctm385
870G, 870GP, 872G and 872GP Motor Graders Repair.....	TM14080X19
PowerTech 9.0L OEM Diesel Engines 6090 Tier 3 / Stage IIIA Emissions Certified Base Engine Repair.....	CTM400
PowerTech 4045, 6068 Diesel Engine Level 14 Electronic Fuel System with the Denso High Pressure Common Rail (HPCR) Level 14 ECU.....	ctm320
TeamMate™ II 1400 Series Inboard Planetary Axles.....	ctm138619

Worldwide Construction and
Forestry Division

Covers: E210,1YNE21A_,_D400204(???,E210LC,1YNE21A_,_C400021

Type: Service Manual

Language: English

Pages: 1261

Format: PDF

Features: Bookmarked, searchable, printable

Compatibility: Windows/Mac/Tablet/Mobile

This service manual contains important information for the maintenance, troubleshooting and servicing of the **John Deere E210, E210LC, E230LC Excavator Diagnostic, Operation and Test Service Manual (TM12729)**

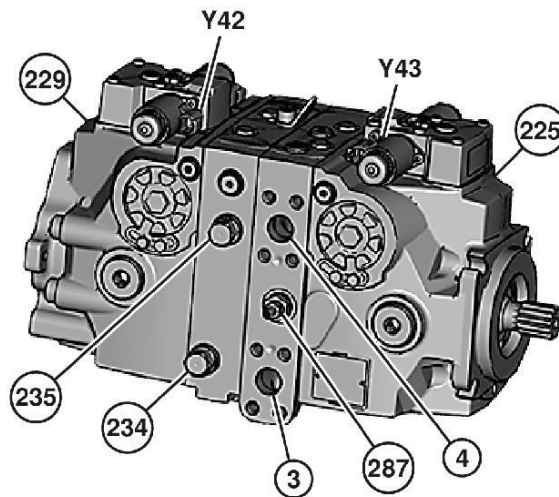
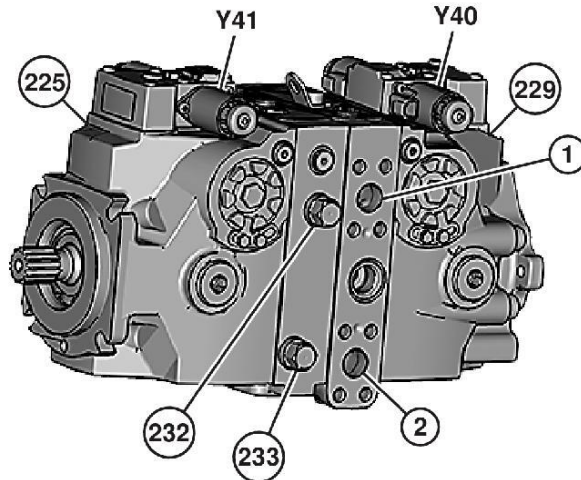
In this manual you will find detailed specifications, illustrations, schematics, diagrams and step-by-step procedures to properly service and diagnose the machine to the manufacturer's standards.

Contents:

- General Information
- Specifications
- Serial Number Location
- Engine Specifications
- Engine Diagnostics
- Engine Tests and Adjustments
- Engine Repair
- Power Train
- Transmission
- Axles
- Differential
- PTO
- Hydraulic System
- Electrical System
- Electrical Tests and Diagnostics
- Wiring Diagram / Schematic
- Ignition and Charging
- Steering
- Brakes
- Wheels
- Operator's Platform
- Body Panels
- Disassembly and Assembly
- Diagnostics, Tests and Adjustments
- Troubleshooting
- and much more...

Please note this manual is in **downloadable PDF format only**. If you have any questions about this product or would like to request sample pages, please contact us and reference the product name or SKU.

Six-Wheel Drive (6WD) Pump Operation

**TX1220401**

TX1220401-UN: Six-Wheel Drive (6WD) Pump

LEGEND:

1-Right Reverse Pressure Port
2-Right Forward Pressure Port
3-Left Forward Pressure Port
4-Left Reverse Pressure Port
225-Left 6WD Pump
229-Right 6WD Pump

232-Left Reverse 6WD Relief and Make-Up Valve
233-Left Forward 6WD Relief and Make-Up Valve
234-Right Forward 6WD Relief and Make-Up Valve
235-Right Reverse 6WD Relief and Make-Up Valve

287-Charge System Relief Valve
Y40-Right Forward Pump Solenoid
Y41-Left Forward Pump Solenoid
Y42-Right Reverse Pump Solenoid
Y43-Left Reverse Pump Solenoid

The 6WD pump is an axial-piston, variable-displacement pump. It consists of two in-line pumps connected with a drive shaft. The speed and direction of the front wheel motors is controlled by the output of the left and right 6WD pumps (225 and 229).

The vehicle control unit (VCU) sends a signal to the forward and reverse solenoids (Y40, Y41, Y42, and Y43) in the pump control to change swash angle and direction of pump flow. This flow is directed out ports (1, 2, 3, or 4), through the 6WD engagement manifold and onto the 6WD motors.



Thank you very much
for your reading.
Please click here
to get more information.