

# John Deere E330LC Excavator Diagnostic, Operation and Test Service Manual (TM13103X19)

## S650 STS, S660 STS, S670 STS, S680 STS, S685 STS & S690 STS Combines Repair (Worldwide Edition)

### REPAIR TECHNICAL MANUAL

Combines models S650 STS, S660 STS, S670 STS, S680 STS, S685 STS, S690 STS

TM133419 15 SEP 15 (ENGLISH)

For complete service information also see:

S650 STS, S660 STS, S670 STS, S680 STS, S685 STS & S690 STS Combines Diagnostics	TM133319
JDLink (MTG) Technical Manual	TM114519
JDPS Master Tool Manual	TM111119
Alternators and Starting Motors	CTM77
120 Series Hydraulic Pumps	TM130519
6135 PowerTech Diesel Engine (Tier 4/Stage IV platform)	CTM115419
6090 PowerTech OEM Diesel Engines (Final Tier 4/Stage IV platform)	CTM104919
6090 PowerTech Diesel Engines (Interim Tier 4/Stage III B platform)	CTM104819



DOWNLOAD



John Deere Agriculture

Covers: E330LC,1YNE33AL\_,\_C600002-;,1YNE33AL\_,\_D600025-)

**Type:** Service Manual

**Language:** English

**Pages:** 1300

**Format:** PDF

**Features:** Bookmarked, searchable, printable

**Compatibility:** Windows/Mac/Tablet/Mobile

This service manual contains important information for the maintenance, troubleshooting and servicing of the **John Deere E330LC Excavator Diagnostic, Operation and Test Service Manual (TM13103X19)**

In this manual you will find detailed specifications, illustrations, schematics, diagrams and step-by-step procedures to properly service and diagnose the machine to the manufacturer's standards.

**Contents:**

- General Information
- Specifications
- Serial Number Location
- Engine Specifications
- Engine Diagnostics
- Engine Tests and Adjustments
- Engine Repair
- Power Train
- Transmission
- Axles
- Differential
- PTO
- Hydraulic System
- Electrical System
- Electrical Tests and Diagnostics
- Wiring Diagram / Schematic
- Ignition and Charging
- Steering
- Brakes
- Wheels
- Operator's Platform
- Body Panels
- Disassembly and Assembly
- Diagnostics, Tests and Adjustments
- Troubleshooting
- and much more...

Please note this manual is in **downloadable PDF format only**. If you have any questions about this product or would like to request sample pages, please contact us and reference the product name or SKU.

## Track Chain Repair to Replace Broken Part

### NOTE:

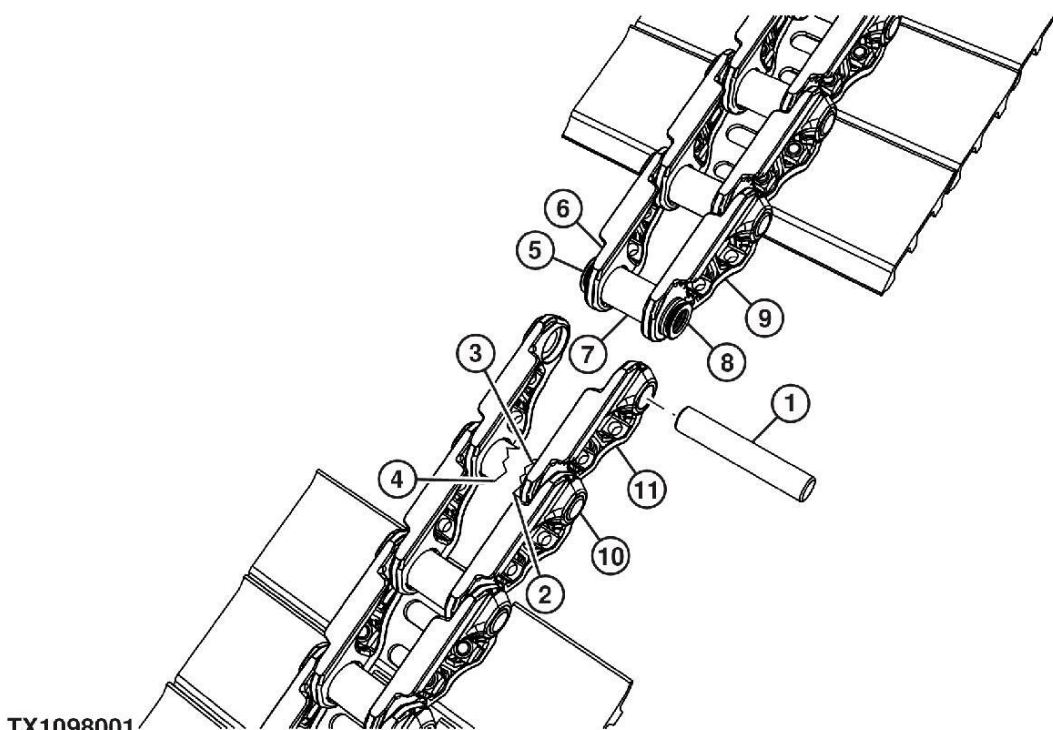
This procedure is to address a broken track pin or broken track link.

### **Broken Track Pin Replacement**

1. Remove three track shoes surrounding damaged area. [See Track Shoe Remove and Install](#). (Group 0130.)

2. NOTE:

All track pins, bushings, and links will be discarded and replaced with new parts.



TX1098001

TX1098001-UN: Track Pin

#### LEGEND:

1-Broken Track Pin  
 2-Bushing  
 3-Cut Point  
 4-Cut Point  
 5-Grind Point  
 6-Track Link

7-Bushing  
 8-Grind Point  
 9-Track Link  
 10-Track Pin  
 11-Track Link Assembly

Remove broken track pin (1).

### IMPORTANT:

3. **Avoid damage to good parts. Use care when operating cutting torch.**

Cut bushing (2) and pin at cut points (3 and 4).



Thank you very much  
for your reading.  
Please click here  
to get more information.