



# John Deere HITACHI Zaxis 190W-5N Wheeled Excavator Service Repair Manual (TM13254X19)

903KH and 909KH Tracked Harvester Repair



**REPAIR TECHNICAL MANUAL**  
Track models 903KH, 909KH  
TM11626 28 APR 15 (ENGLISH)

**For complete service information also see:**

903KH and 909KH Tracked Harvester Diagnostic	TM11623
JDLINK (MTG) Technical Manual	TM114519
Alternators and Starting Motors	CTM77
PowerTech 9.0L OEM Diesel Engines 6000 / Stage IIIA Emissions Certified Base Engines	CTM400
PowerTech 6090 High Pressure Coolant	
Super Caddy Oil Cleanup Product	
120 Series Hydraulic Cylinders	CTM114519
120 Series Hydraulic Cylinders	CTM10090X19
COOLANT HEATER SERVICE MANUAL	CTM10006
JDLINK/ZXLINK Machine Monitoring System	

**PDF**  **DOWNLOAD** 

John Deere Construction and Forestry  
Printed by Selgreen



Covers: 190W-5N,HCMLBD60\*\*0004001-)

**Type:** Service Manual

**Language:** English

**Pages:** 757

**Format:** PDF

**Features:** Bookmarked, searchable, printable

**Compatibility:** Windows/Mac/Tablet/Mobile

This service manual contains important information for the maintenance, troubleshooting and servicing of the **John Deere HITACHI Zaxis 190W-5N Wheeled Excavator Service Repair Manual (TM13254X19)**

In this manual you will find detailed specifications, illustrations, schematics, diagrams and step-by-step procedures to properly service and diagnose the machine to the manufacturer's standards.

**Contents:**

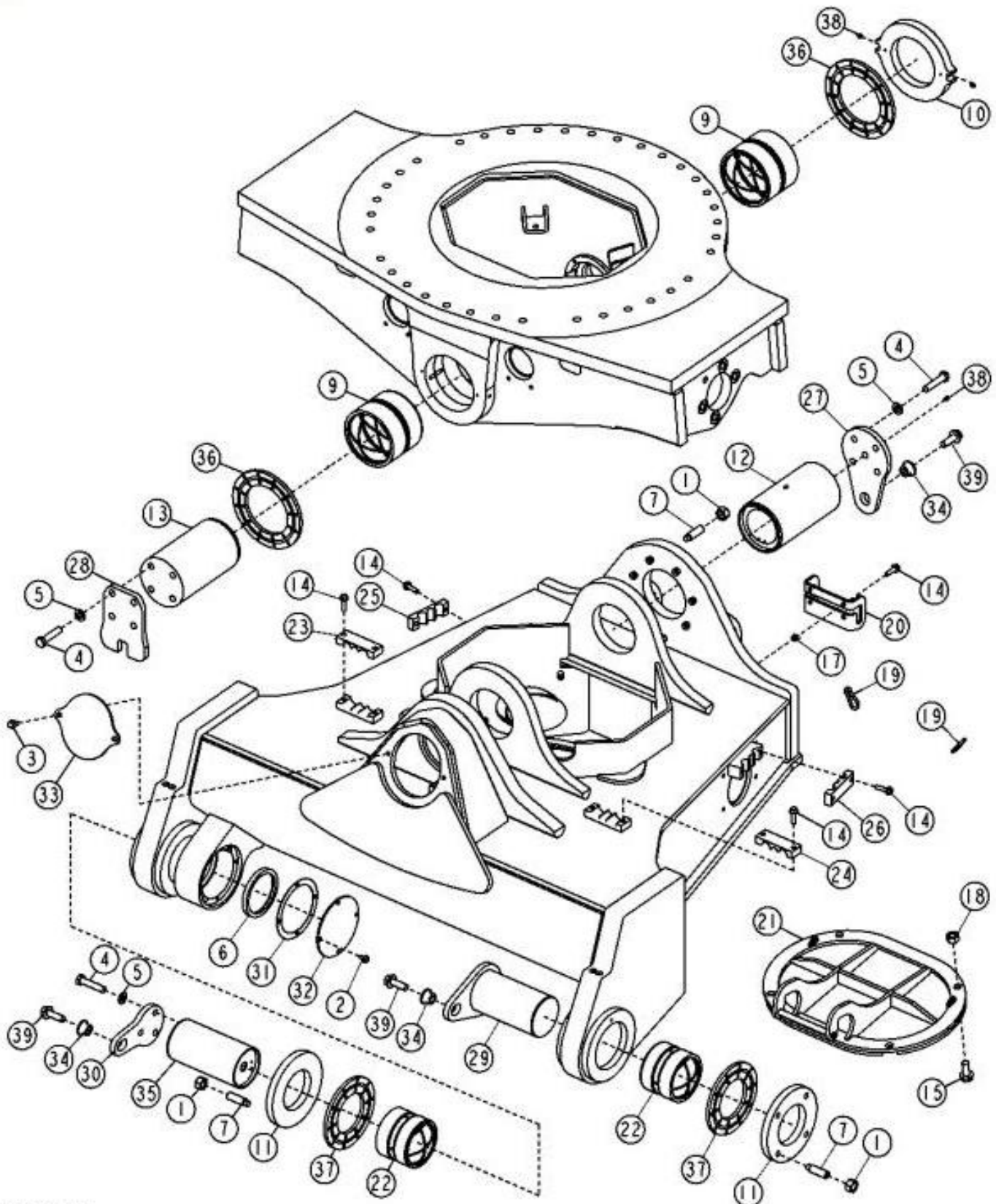
- General Information
- Specifications
- Serial Number Location
- Engine Specifications
- Engine Diagnostics
- Engine Tests and Adjustments
- Engine Repair
- Power Train
- Transmission
- Axles
- Differential
- PTO
- Hydraulic System
- Electrical System
- Electrical Tests and Diagnostics
- Wiring Diagram / Schematic
- Ignition and Charging
- Steering
- Brakes
- Wheels
- Operator's Platform
- Body Panels
- Disassembly and Assembly
- Diagnostics, Tests and Adjustments
- Troubleshooting
- and much more...

Please note this manual is in **downloadable PDF format only**. If you have any questions about this product or would like to request sample pages, please contact us and reference the product name or SKU.

## Group 0131 - Track Frames

### Lower Leveler Frame Remove and Install

[1] -



TX103772

Leveler Frame

**LEGEND:**

1

Nut (3 used)



Thank you very much  
for your reading.  
Please click here  
to get more information.