

John Deere M724, M732, M740, M732i, M740i Trailed Crop Sprayers Diagnostic Service Manual (TM407219)

M724, M732, M740, M732i
and M740i Trailed Crop
Sprayers Diagnostic
Technical Manual
(European Edition)



DIAGNOSIS AND TESTS MANUAL

Trailed Sprayers models M724, M732, M732i, M740, M740i

TM407219 26 JAN 15 (ENGLISH)

For complete service information also see:

M724, M732, M740, M732i and M740i Trailed Crop Sprayer Repair (European Edition)

TM407319

GreenStar 3 2630 Display Technical Solutions Manual

TM112219

GreenStar 2 Diagnosis and Tests Manual

TM1061



John Deere Agriculture
Printed by Belgreen



Covers: M724,M732,M732i,M740,M740i

Type: Service Manual

Language: English

Pages: 753

Format: PDF

Features: Bookmarked, searchable, printable

Compatibility: Windows/Mac/Tablet/Mobile

This service manual contains important information for the maintenance, troubleshooting and servicing of the **John Deere M724, M732, M740, M732i, M740i Trailed Crop Sprayers Diagnostic Service Manual (TM407219)**

In this manual you will find detailed specifications, illustrations, schematics, diagrams and step-by-step procedures to properly service and diagnose the machine to the manufacturer's standards.

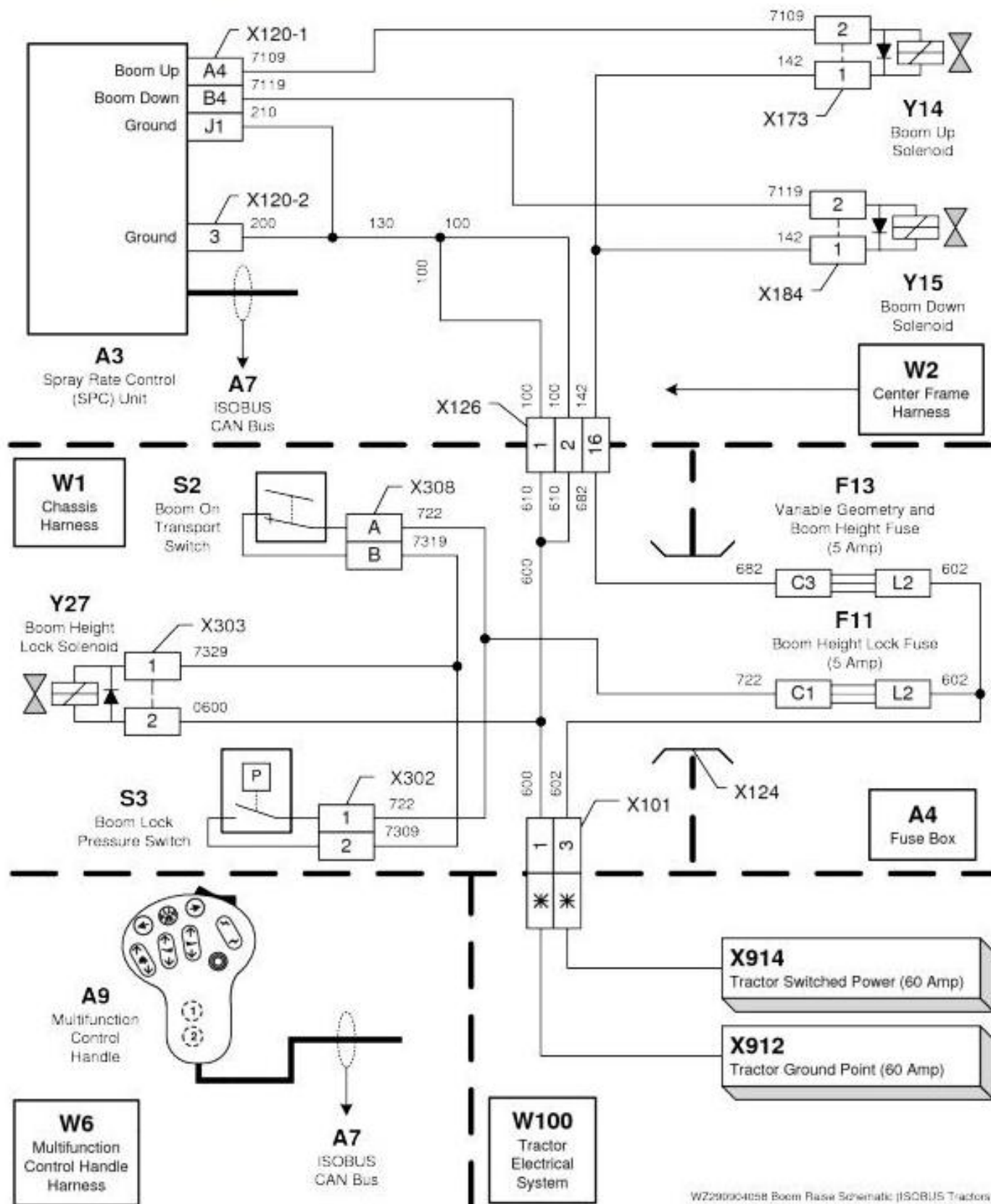
Contents:

- General Information
- Specifications
- Serial Number Location
- Engine Specifications
- Engine Diagnostics
- Engine Tests and Adjustments
- Engine Repair
- Power Train
- Transmission
- Axles
- Differential
- PTO
- Hydraulic System
- Electrical System
- Electrical Tests and Diagnostics
- Wiring Diagram / Schematic
- Ignition and Charging
- Steering
- Brakes
- Wheels
- Operator's Platform
- Body Panels
- Disassembly and Assembly
- Diagnostics, Tests and Adjustments
- Troubleshooting
- and much more...

Please note this manual is in **downloadable PDF format only**. If you have any questions about this product or would like to request sample pages, please contact us and reference the product name or SKU.

Boom Raise and Lower – Electrical – Schematic

ISOBUS Equipped Tractors



W2209004058 Boom Raise Schematic (ISOBUS Tractors)
Aug 5, 2013 -MWW

Boom Raise and Lower

LEGEND:

A3 Spray Rate Control (SPC) Unit



Thank you very much
for your reading.
Please click here
to get more information.