


John Deere R4040i, R4050i Demountable Crop Sprayer (MY18) Repair Technical Service Manual (TM409619)




4995 Self-Propelled Windrower Diagnostic




OPERATION AND TESTS MANUAL
Self-Propelled Windrowers models 4995
TM2036 01 MAR 13 (ENGLISH)

For complete service information also see:

100 Series Hydraulic Cylinders	TM-H100A
994 (4 and 4.5 Meter) Rotary Platform	TM2051
995 (5 Meter) Rotary Platform Repair	TM2039
4995 Self-Propelled Windrower Repair	TM2035
GreenStar 2 Diagnostic	TM1061
Alternators and Stators	
PowerTech 4.5L and 5.8L Diesel Engines	
120 Series Hydraulic Cylinders	
120 Series Hydraulic Cylinders	
PowerTech 4.5L & 6.8L Diesel Engines, Tier 1, Tier 2/Stage II, Tier 3/Stage IIIA, Tier 3/Stage IIA Tier 3/Stage III, (Base Engine)	CTM104

  **DOWNLOAD** 

John Deere Agriculture
Printed by Belgreen



TM2036

Covers: 2018),R4040i,R4050i

Type: Service Manual

Language: English

Pages: 724

Format: PDF

Features: Bookmarked, searchable, printable

Compatibility: Windows/Mac/Tablet/Mobile

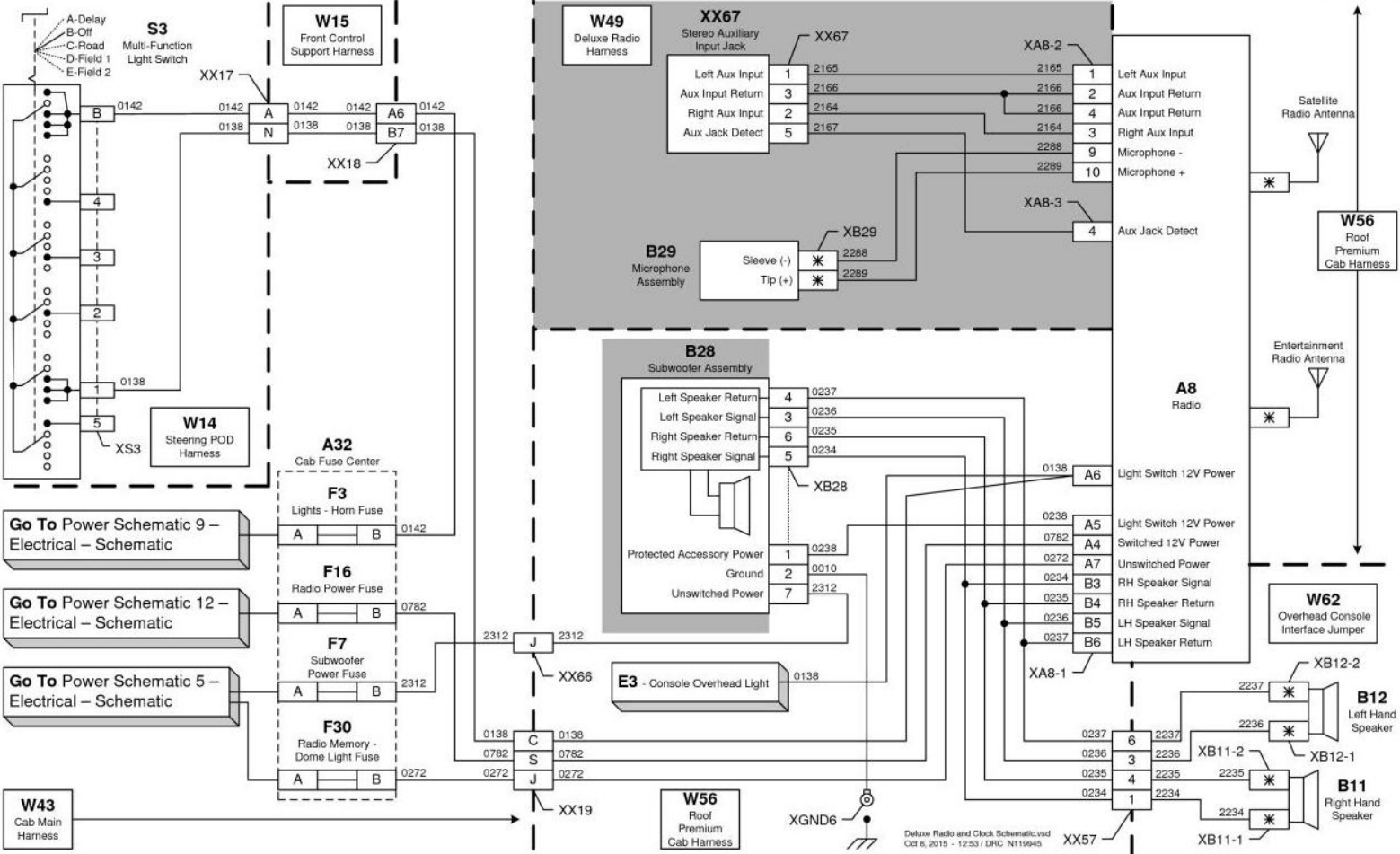
This service manual contains important information for the maintenance, troubleshooting and servicing of the **John Deere R4040I, R4050I Demountable Crop Sprayer (MY18) Repair Technical Service Manual (TM409619)**

In this manual you will find detailed specifications, illustrations, schematics, diagrams and step-by-step procedures to properly service and diagnose the machine to the manufacturer's standards.

Contents:

- General Information
- Specifications
- Serial Number Location
- Engine Specifications
- Engine Diagnostics
- Engine Tests and Adjustments
- Engine Repair
- Power Train
- Transmission
- Axles
- Differential
- PTO
- Hydraulic System
- Electrical System
- Electrical Tests and Diagnostics
- Wiring Diagram / Schematic
- Ignition and Charging
- Steering
- Brakes
- Wheels
- Operator's Platform
- Body Panels
- Disassembly and Assembly
- Diagnostics, Tests and Adjustments
- Troubleshooting
- and much more...

Please note this manual is in **downloadable PDF format only**. If you have any questions about this product or would like to request sample pages, please contact us and reference the product name or SKU.



Radio Electrical Schematic (Premium Cab)

Deluxe Radio and Clock Schematic.vsd
Oct 8, 2015 - 12:53 / DRC: N119945



Thank you very much
for your reading.
Please click here
to get more information.