

# John Deere R4045 Self-Propelled Sprayers Service Repair Technical Manual (TM116119)

**XUV590i and XUV590i S4  
Gator™ Utility Vehicle  
(S.N. 010001-)**



JOHN HARE



COLLECTION

**DIAGNOSTIC TECHNICAL MANUAL  
XUV Gator™ Utility Vehicle XUV590i and XUV590i S4  
(S.N. 010001-)**



**Type:** Service Manual

**Language:** English

**Pages:** 910

**Format:** PDF

**Features:** Bookmarked, searchable, printable

**Compatibility:** Windows/Mac/Tablet/Mobile

This service manual contains important information for the maintenance, troubleshooting and servicing of the **John Deere R4045 Self-Propelled Sprayers Service Repair Technical Manual (TM116119)**

In this manual you will find detailed specifications, illustrations, schematics, diagrams and step-by-step procedures to properly service and diagnose the machine to the manufacturer's standards.

**Contents:**

- General Information
- Specifications
- Serial Number Location
- Engine Specifications
- Engine Diagnostics
- Engine Tests and Adjustments
- Engine Repair
- Power Train
- Transmission
- Axles
- Differential
- PTO
- Hydraulic System
- Electrical System
- Electrical Tests and Diagnostics
- Wiring Diagram / Schematic
- Ignition and Charging
- Steering
- Brakes
- Wheels
- Operator's Platform
- Body Panels
- Disassembly and Assembly
- Diagnostics, Tests and Adjustments
- Troubleshooting
- and much more...

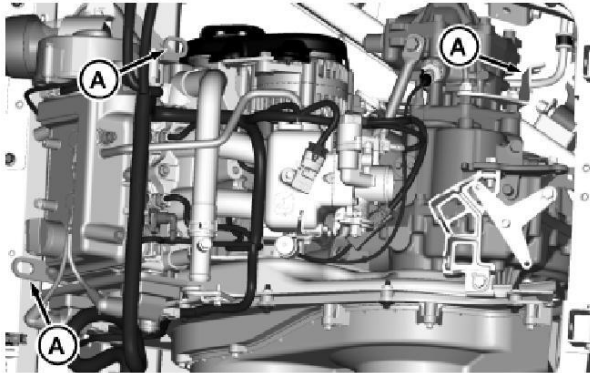
Please note this manual is in **downloadable PDF format only**. If you have any questions about this product or would like to request sample pages, please contact us and reference the product name or SKU.

## Install Power Train Assembly



**CAUTION:**

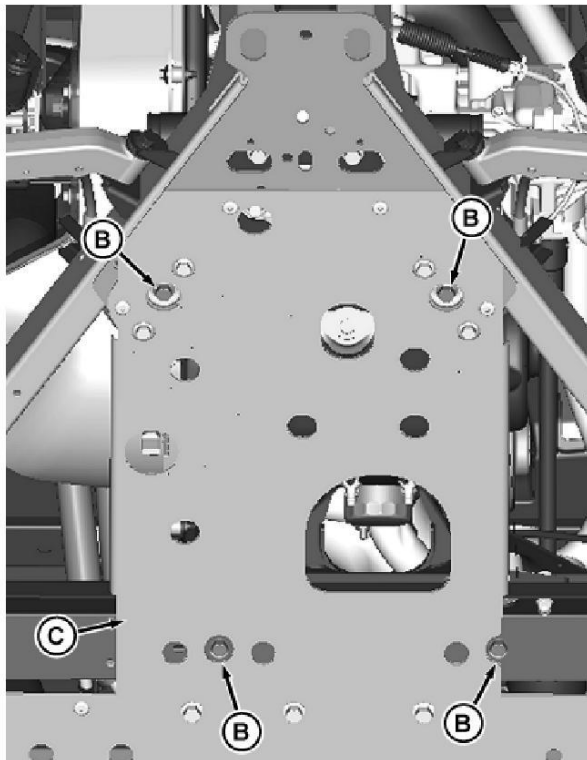
Avoid Injury! Machine component or attachment is heavy. Use a safe lifting device or get an assistant to help lift, install, or remove component or attachment.



MXT017717-UN: Power Train Assembly

**LEGEND:**  
**A-Anchor**

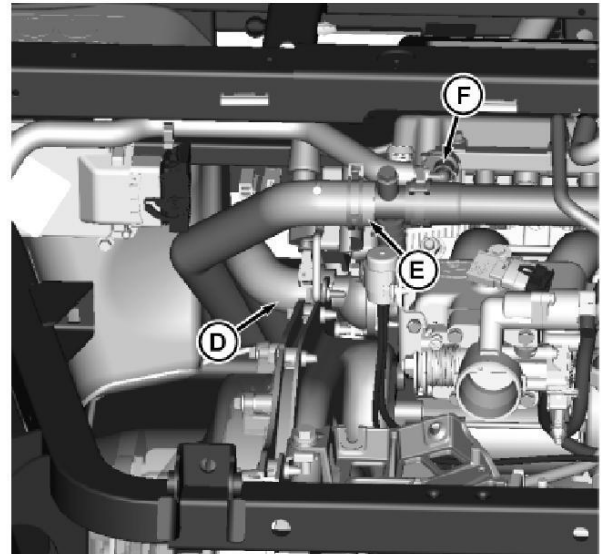
1. Attach appropriate lifting device to engine and power train assembly at three anchors (A).
2. Slowly lift and position power train assembly in machine.



MXT017718-UN: Skid Plate

**LEGEND:**  
**B-Bolt**  
**C-Skid Plate**

Align power train assembly with engine mounts and install four bolts (B) through skid plate (C).



4. MXT017719-UN: Lines

**LEGEND:**  
**D-Coolant Line**  
**E-Coolant Line**  
**F-Fuel Line**

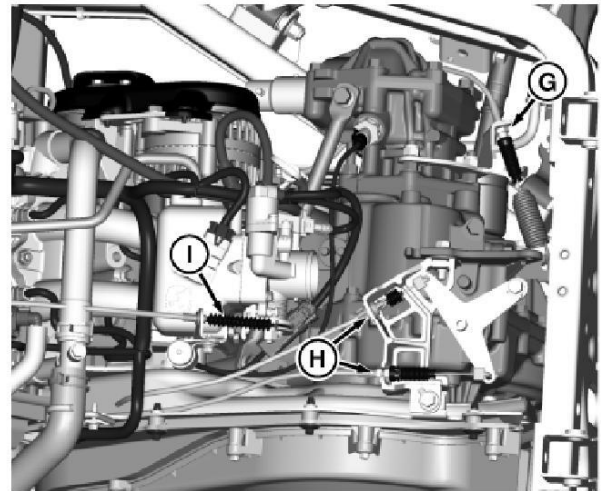
Connect coolant lines (D and E) to engine.



**CAUTION:**

Avoid Injury! Gasoline is extremely flammable. DO NOT SMOKE. Always work in a well-ventilated area away from open flame or spark-producing equipment, including equipment that utilizes pilot lights.

Connect fuel line (F).



6. MXT017720-UN: Cables

**LEGEND:**  
**G-Lock Lever**  
**H-Shift Cable**  
**I-Throttle Cable**

6. Install differential lock lever (G) on transmission.
7. Install transmission shift cables (H) on transmission.
8. Install throttle cable (I) on throttle body.



Thank you very much  
for your reading.  
Please click here  
to get more information.