

John Deere S560, S690, S560i, S690i & HillMaster Combines Diagnostic and Test Manual (TM102819)

S560, S690, S560i, S690i & HillMaster Combines Diagnostic

OPERATION AND TEST MANUAL

Combines models S690, S560 STS, S560

TM102819 26 DEC 10 (ENGLISH)

For complete service information also see:

| | |
|---|----------|
| S560 STS, S690 STS and S690 HILLMASTER STS Combines Repair | TM102719 |
| Alternators and Starting Motors | CTM77 |
| PowerTech 13.5L OEM Diesel Engines Base Engine Repair | CTM415 |
| PowerTech 9.0 L OEM Diesel Engines Base Engine Repair | CTM400 |
| PowerTech 9.0 L Electronic Fuel System | CTM305 |
| PowerTech 13.5 15 Electronic Fuel System EUIs | |



DOWNLOAD



John Deere Agriculture

Covers: 725101),S690,S690i,S560,S560i

Type: Service Manual

Language: English

Pages: 5933

Format: PDF

Features: Bookmarked, searchable, printable

Compatibility: Windows/Mac/Tablet/Mobile

This service manual contains important information for the maintenance, troubleshooting and servicing of the **John Deere S560, S690, S560i, S690i & HillMaster Combines Diagnostic and Test Manual (TM102819)**

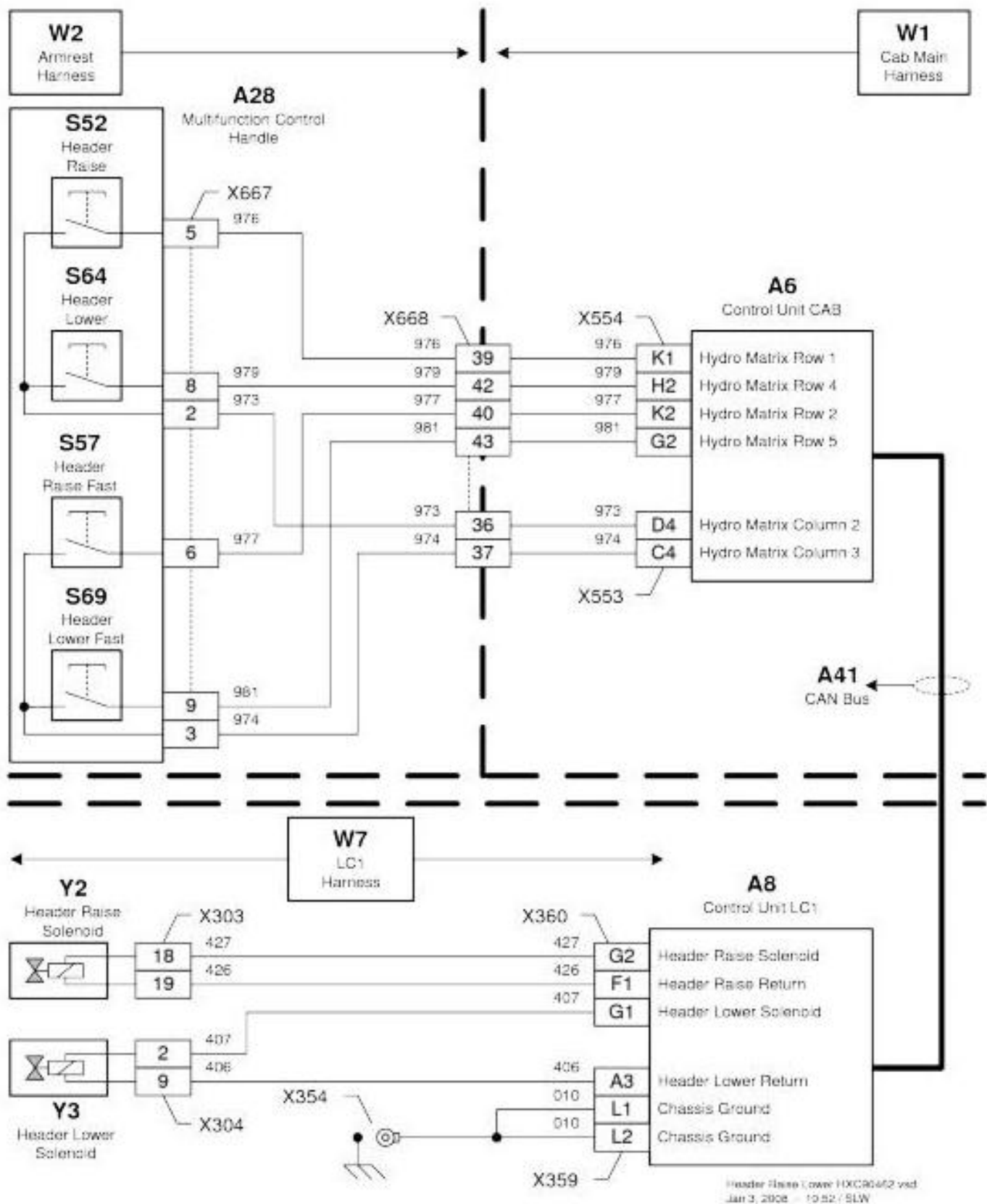
In this manual you will find detailed specifications, illustrations, schematics, diagrams and step-by-step procedures to properly service and diagnose the machine to the manufacturer's standards.

Contents:

- General Information
- Specifications
- Serial Number Location
- Engine Specifications
- Engine Diagnostics
- Engine Tests and Adjustments
- Engine Repair
- Power Train
- Transmission
- Axles
- Differential
- PTO
- Hydraulic System
- Electrical System
- Electrical Tests and Diagnostics
- Wiring Diagram / Schematic
- Ignition and Charging
- Steering
- Brakes
- Wheels
- Operator's Platform
- Body Panels
- Disassembly and Assembly
- Diagnostics, Tests and Adjustments
- Troubleshooting
- and much more...

Please note this manual is in **downloadable PDF format only**. If you have any questions about this product or would like to request sample pages, please contact us and reference the product name or SKU.

Schematic



Electrical Schematic

LEGEND:

| | |
|-----|------------------------------|
| A6 | Control Unit CAB |
| A8 | Control Unit LC1 |
| A28 | Multifunction Control Handle |



Thank you very much
for your reading.
Please click here
to get more information.