

John Deere TIMBERJACK 360D, 460D, 560D (SN.-586336) Single Arch Grapple Skidder Diagnostic and Test (TM1879)

624K-II 4WD Loader Repair

(PIN: 1DW624K___F677549—)



JOHN HARE



COLLECTION

REPAIR TECHNICAL MANUAL

624K-II 4WD Loader (PIN: 1DW624K___F677549—)

TM14148X19 01DEC18 (ENGLISH)

For complete service information also see:

TeamMate V 1400 Series Inboard Planetary Axles..... ctm143819
TeamMate™ IV 1200 Series Inboard Planetary Axles ctm140119
624K-II 4WD Loader Operation and Test..... TM14148X19
PowerTech 6068 OEM Diesel Engines (Final Tier 4/Stage II
platform) Level 33 ECU TM14148X19
Hydraulic Cylinders..... TM14148X19



Worldwide Construction and
Forestry Division

Covers: 586336);,360D,460D,560D

Type: Service Manual

Language: English

Pages: 816

Format: PDF

Features: Bookmarked, searchable, printable

Compatibility: Windows/Mac/Tablet/Mobile

This service manual contains important information for the maintenance, troubleshooting and servicing of the **John Deere TIMBERJACK 360D, 460D, 560D (SN.-586336) Single Arch Grapple Skidder Diagnostic and Test (TM1879)**

In this manual you will find detailed specifications, illustrations, schematics, diagrams and step-by-step procedures to properly service and diagnose the machine to the manufacturer's standards.

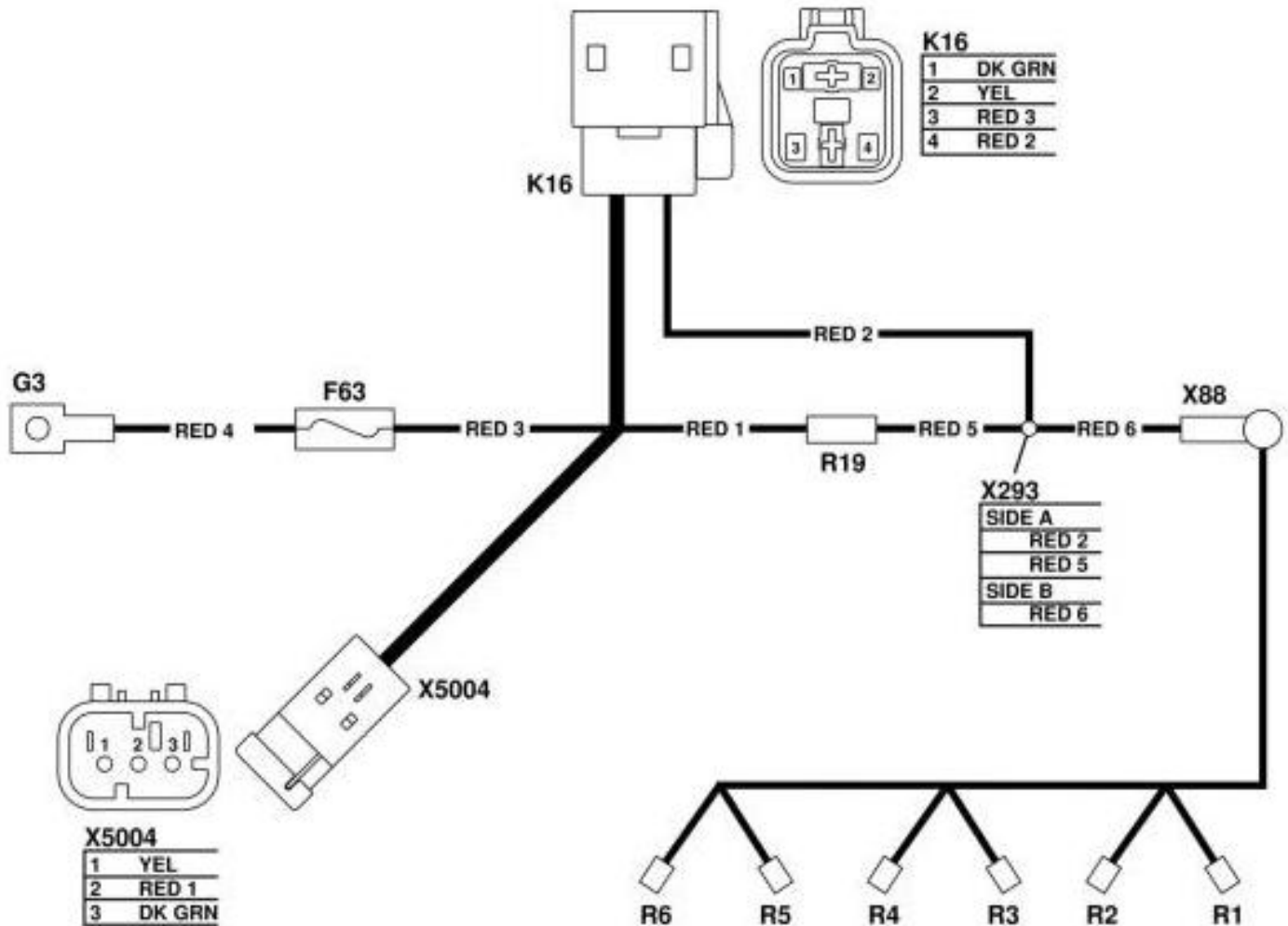
Contents:

- General Information
- Specifications
- Serial Number Location
- Engine Specifications
- Engine Diagnostics
- Engine Tests and Adjustments
- Engine Repair
- Power Train
- Transmission
- Axles
- Differential
- PTO
- Hydraulic System
- Electrical System
- Electrical Tests and Diagnostics
- Wiring Diagram / Schematic
- Ignition and Charging
- Steering
- Brakes
- Wheels
- Operator's Platform
- Body Panels
- Disassembly and Assembly
- Diagnostics, Tests and Adjustments
- Troubleshooting
- and much more...

Please note this manual is in **downloadable PDF format only**. If you have any questions about this product or would like to request sample pages, please contact us and reference the product name or SKU.

Glow Plug Harness (W40) Wiring Diagram

END #1	NUMBER	COLOR	END #2
X5004	DK GRN	DK GRN	K16
X5004	RED 1	RED	R19
K16	RED 2	RED	X293
K16	RED 3	RED	F63
F63	RED 4	RED	G3
R19	RED 5	RED	X293
X293	RED 6	RED	X88
X5004	YEL	YEL	K16



TX1143391

Glow Plug Harness (W40) Wiring Diagram

LEGEND:

- F63 Glow Plug 50 A Fuse
- G3 Alternator
- K16 Glow Plug Relay
- R1 Glow Plug 1
- R2 Glow Plug 2
- R3 Glow Plug 3
- R4 Glow Plug 4
- R5 Glow Plug 5
- R6 Glow Plug 6
- R19 Glow Plug Resistor
- X88 Glow Plug Harness-to-Glow Plug Connector
- X293 RED Splice 1
- X5004 Engine Harness-to-Glow Plug Interface Connector



Thank you very much
for your reading.
Please click here
to get more information.