

John Deere Timberjack/ 753GL, 608L Tracked Feller Buncher (Harvester) Service Repair Manual (TMF387451)

135D Excavator Diagnostic

OPERATION AND TEST MANUAL

RTS models 135D

TM10742 18AUG15 (ENGLISH)

For complete service information also see:

JDLink (MTG) Technical Manual	TM114519
135D Excavator Repair	TM10743
Alternators and Starting Motors	CTM77
Super Caddy Oil Cleanup Procedure	CTM310



John Deere Construction and Forestry

Covers: 608L,WC608LX006067-),753GL,WC753GL001027-)

Type: Service Manual

Language: English

Pages: 460

Format: PDF

Features: Bookmarked, searchable, printable

Compatibility: Windows/Mac/Tablet/Mobile

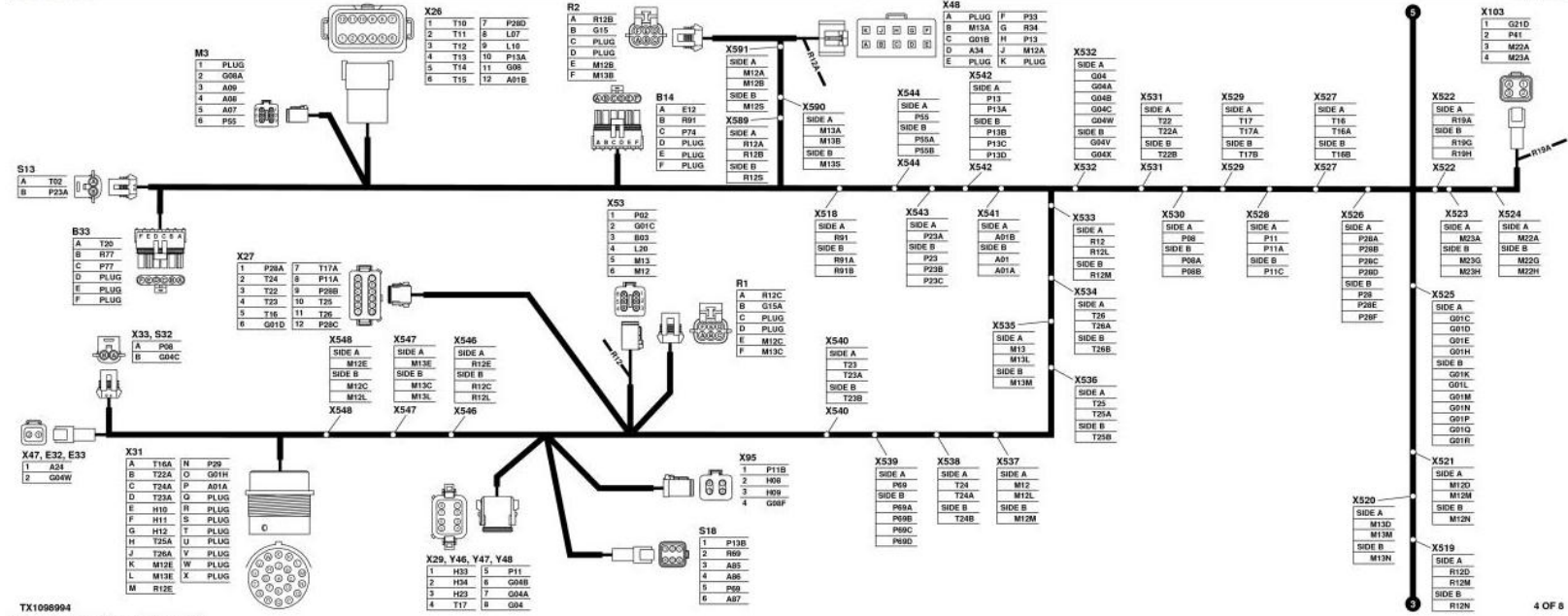
This service manual contains important information for the maintenance, troubleshooting and servicing of the **John Deere Timberjack/ 753GL, 608L Tracked Feller Buncher (Harvester) Service Repair Manual (TMF387451)**

In this manual you will find detailed specifications, illustrations, schematics, diagrams and step-by-step procedures to properly service and diagnose the machine to the manufacturer's standards.

Contents:

- General Information
- Specifications
- Serial Number Location
- Engine Specifications
- Engine Diagnostics
- Engine Tests and Adjustments
- Engine Repair
- Power Train
- Transmission
- Axles
- Differential
- PTO
- Hydraulic System
- Electrical System
- Electrical Tests and Diagnostics
- Wiring Diagram / Schematic
- Ignition and Charging
- Steering
- Brakes
- Wheels
- Operator's Platform
- Body Panels
- Disassembly and Assembly
- Diagnostics, Tests and Adjustments
- Troubleshooting
- and much more...

Please note this manual is in **downloadable PDF format only**. If you have any questions about this product or would like to request sample pages, please contact us and reference the product name or SKU.



TX1008994 Land Center Harness (M2) Wiring Diagram (1 of 8) (S.A. -489423)



Thank you very much
for your reading.
Please click here
to get more information.