


John Deere /Timberjack 848G/660D Grapple Skidder Diagnostic, Operation & Test Service Manual (TM2248)

310K Backhoe Loader
Repair





REPAIR TECHNICAL MANUAL

Backhoe Loaders (iT4/S3B) models 310K (PIN:1T0310KXE219607-)**


TM12436 27 DEC 15 (ENGLISH)

For complete service information also see:

310K Backhoe Loader Diagnostic	TM12435
JDLINK (MTG) Technical Manual	TM114519
Super Caddy Oil Cleanup Procedure	CTM310
120 Series Hydraulic Cylinders	CTM120519
4045 PowerTech Diesel Engine (170kW (174hp) (PWX & PVX) Interim Tier 4/Stage IIIB	CTM114619
120 Series Hydraulic Cylinders	
125 Series Hydraulic Cylinders	
100 Series Hydraulic Cylinders	

PDF  **DOWNLOAD** 

John Deere Construction and Forestry
Printed by Belgreen



TM12436

Covers: 660D,848G

Type: Service Manual

Language: English

Pages: 380

Format: PDF

Features: Bookmarked, searchable, printable

Compatibility: Windows/Mac/Tablet/Mobile

This service manual contains important information for the maintenance, troubleshooting and servicing of the **John Deere /Timberjack 848G/660D Grapple Skidder Diagnostic, Operation & Test Service Manual (TM2248)**

In this manual you will find detailed specifications, illustrations, schematics, diagrams and step-by-step procedures to properly service and diagnose the machine to the manufacturer's standards.

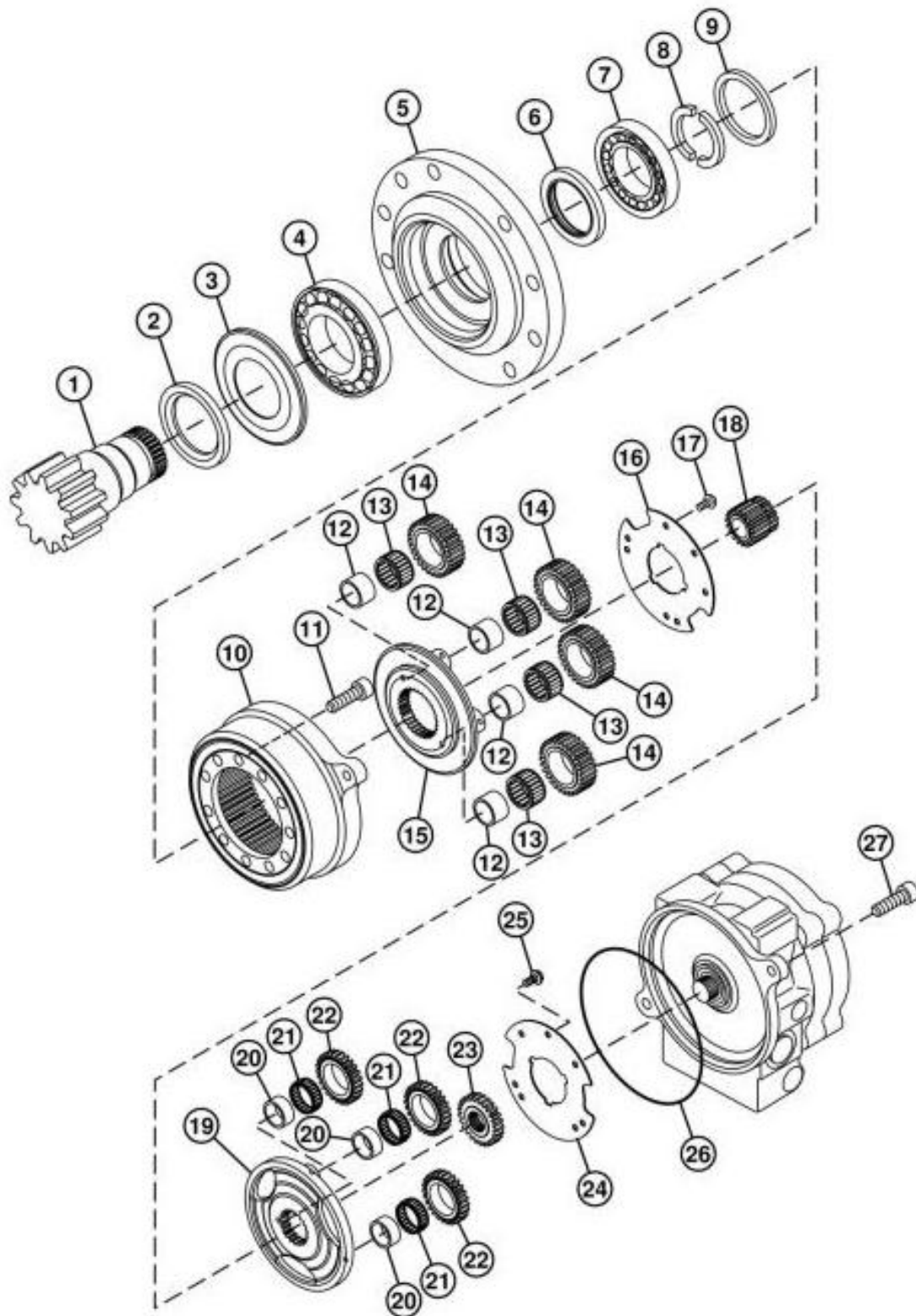
Contents:

- General Information
- Specifications
- Serial Number Location
- Engine Specifications
- Engine Diagnostics
- Engine Tests and Adjustments
- Engine Repair
- Power Train
- Transmission
- Axles
- Differential
- PTO
- Hydraulic System
- Electrical System
- Electrical Tests and Diagnostics
- Wiring Diagram / Schematic
- Ignition and Charging
- Steering
- Brakes
- Wheels
- Operator's Platform
- Body Panels
- Disassembly and Assembly
- Diagnostics, Tests and Adjustments
- Troubleshooting
- and much more...

Please note this manual is in **downloadable PDF format only**. If you have any questions about this product or would like to request sample pages, please contact us and reference the product name or SKU.

Swing Gearbox Disassemble and Assemble

[1] -



TX1047727

Swing Gearbox Exploded View

LEGEND:

1 Shaft



Thank you very much
for your reading.
Please click here
to get more information.