



# John Deere Tractors 5320N, 5420N, 5520N (North America) All Inclusive Technical Service Manual (tm1872)

4630 Self-Propelled Sprayer Repair

**REPAIR TECHNICAL MANUAL**  
**Self-Propelled Sprayers models 4630**  
TM106119 18 AUG 15 (ENGLISH)

**For complete service information also see:**

GreenStar 3 2630 Display Technical Solutions Manual	TM112219
JDPS Master Tool Manual	TM111119
4630 Self-Propelled Sprayer Diagnostic	TM106219
GreenStar 2 Diagnosis and Tests Manual	TM1061
Alternators and Stators	CTM77
PowerTech E 4.5L & 6.8L Diesel Engines (Tier 1/Stage I, Tier 2/Stage II, Tier 3/Stage IIIA, Tier 3/Stage IIA, Tier 3/Stage III, Tier 3/Stage IIB)	CTM104
Denso HPCR	
CTM441 - Machine Connections	
120 Series Hydraulic Cylinders	
100 Series Hydraulic Cylinders	CTM103519

**PDF**  **DOWNLOAD** 

John Deere Agriculture  
Printed by Belgreen

TM106119

**Covers:** 5320N,5420N,5520N

**Type:** Service Manual

**Language:** English

**Pages:** 1806

**Format:** PDF

**Features:** Bookmarked, searchable, printable

**Compatibility:** Windows/Mac/Tablet/Mobile

This service manual contains important information for the maintenance, troubleshooting and servicing of the **John Deere Tractors 5320N, 5420N, 5520N (North America) All Inclusive Technical Service Manual (tm1872)**

In this manual you will find detailed specifications, illustrations, schematics, diagrams and step-by-step procedures to properly service and diagnose the machine to the manufacturer's standards.

**Contents:**

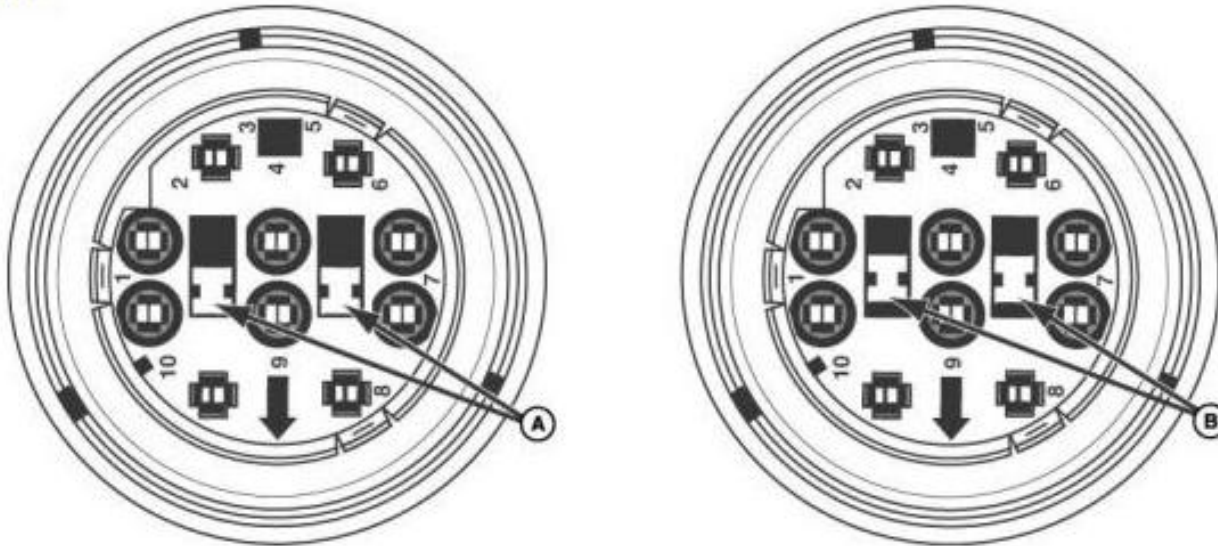
- General Information
- Specifications
- Serial Number Location
- Engine Specifications
- Engine Diagnostics
- Engine Tests and Adjustments
- Engine Repair
- Power Train
- Transmission
- Axles
- Differential
- PTO
- Hydraulic System
- Electrical System
- Electrical Tests and Diagnostics
- Wiring Diagram / Schematic
- Ignition and Charging
- Steering
- Brakes
- Wheels
- Operator's Platform
- Body Panels
- Disassembly and Assembly
- Diagnostics, Tests and Adjustments
- Troubleshooting
- and much more...

Please note this manual is in **downloadable PDF format only**. If you have any questions about this product or would like to request sample pages, please contact us and reference the product name or SKU.

## Repair Procedure R-AG

### Remove Contact From Connector Body

[1] -



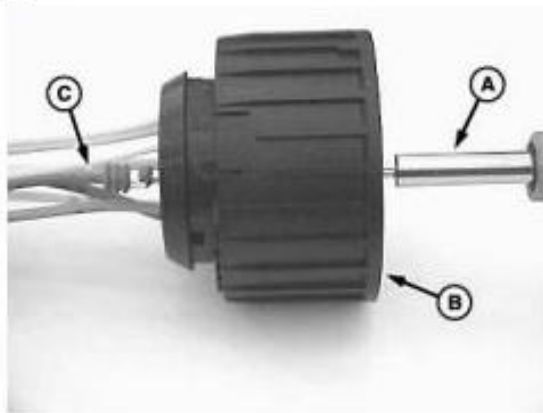
#### Connector

##### LEGEND:

A Locked Position  
B Unlocked Position

Using a pick or small screwdriver, push internal secondary lock upward until unlocked position (B) is achieved.

[2] -

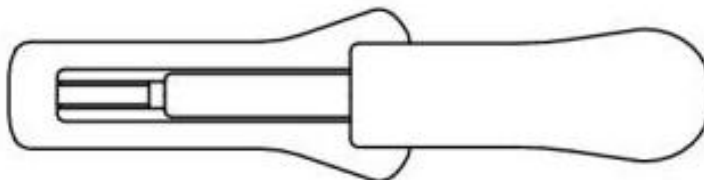


##### LEGEND:

A JDG10205 Terminal Extraction Tool  
B Housing  
C Wire

#### Connector

From terminal end of connector, insert JDG10205 Terminal Extraction Tool  
Extraction Tool  
JDG10205



#### JDG10205

To remove terminals from connector body.  
(A) into housing (B) of terminal to be repaired.



Thank you very much  
for your reading.  
Please click here  
to get more information.