

# John Deere Tractors 5325N, 5425N and 5525N USA Service Repair Technical Manual (TM2188)

524K 4WD Loader (SN.  
D670308-677548)  
Diagnostic



## OPERATION AND TEST MANUAL

4WD Loaders models 524K (PIN: 1DW524K\*\*\*D670308-677548)

TM13365X19 22 FEB 16 (ENGLISH)

**For complete service information also see:**

524K 4WD Loader Repair

TM13371X19

JDLINK (MTG) Technical Manual

TM114519

PowerTech E 4.5 and 6.8L Diesel Engines Level 16 Electronic Fuel System With  
Denso HPCR

CTM502

TMIV1200 - 1400 Series Inboard Pumps

CTM442

120 Series Hydraulic

PowerTech 4.5L 6.8L Diesel Engines  
3/Stage IIIA, Tier 3/Stage IIIB



John Deere Construction and Forestry  
Printed by Belgreen



Covers: 5325N,5425N,5525N

**Type:** Service Manual

**Language:** English

**Pages:** 1111

**Format:** PDF

**Features:** Bookmarked, searchable, printable

**Compatibility:** Windows/Mac/Tablet/Mobile

This service manual contains important information for the maintenance, troubleshooting and servicing of the **John Deere Tractors 5325N, 5425N and 5525N USA Service Repair Technical Manual (TM2188)**

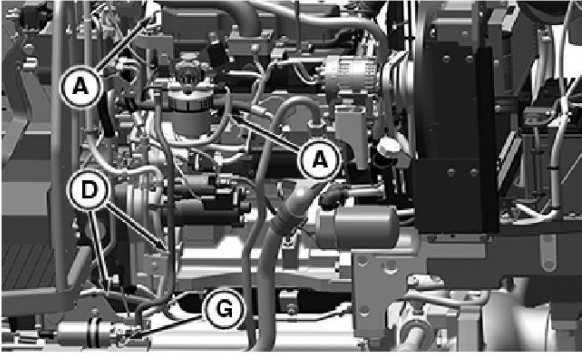
In this manual you will find detailed specifications, illustrations, schematics, diagrams and step-by-step procedures to properly service and diagnose the machine to the manufacturer's standards.

**Contents:**

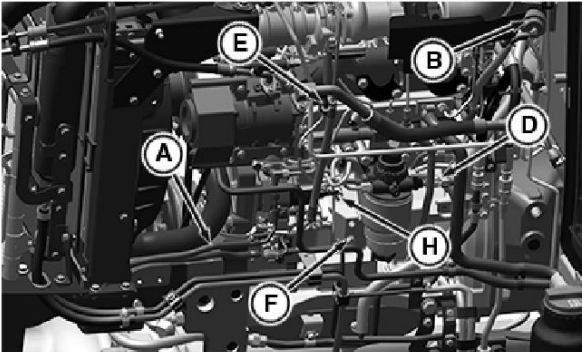
- General Information
- Specifications
- Serial Number Location
- Engine Specifications
- Engine Diagnostics
- Engine Tests and Adjustments
- Engine Repair
- Power Train
- Transmission
- Axles
- Differential
- PTO
- Hydraulic System
- Electrical System
- Electrical Tests and Diagnostics
- Wiring Diagram / Schematic
- Ignition and Charging
- Steering
- Brakes
- Wheels
- Operator's Platform
- Body Panels
- Disassembly and Assembly
- Diagnostics, Tests and Adjustments
- Troubleshooting
- and much more...

Please note this manual is in **downloadable PDF format only**. If you have any questions about this product or would like to request sample pages, please contact us and reference the product name or SKU.

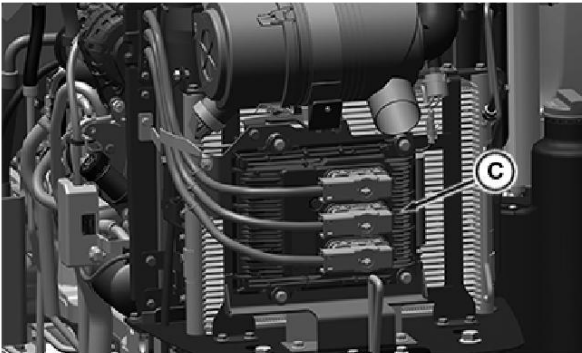
## Clutch Housing



21. PY33114-UN: 5050E IOOS and CAB



PY33115-UN: 5058E, 5067E and 5075E IOOS and CAB



PY33116-UN: 5058E, 5067E and 5075E IOOS and CAB

**LEGEND:**

- A-Fuel Return Line**
- B-Connector**
- C-Engine Control Unit (ECU)**
- D-Fuel Supply Line**
- E-Compressor Connector**
- F-Ground Terminal**
- G-Fuel Pump Harness Connector**
- H-Throttle Harness Connector**

Install fuel return line (A) and fuel supply line (D) using worm gear clamps.

22. **For Cab Tractors:** Connect A/C compressor connector (E) and Ground terminal (F).
23. Connect engine harness to front harness connector (B). Identify, label, and Connect to front engine harness.
24. Identify, label, and connect engine control unit (C).
25. Connect wiring harness fuel pump connector (G) and throttle connector (H).
26. Bleed fuel system. (Refer 'PowerTech™ 2.9L Diesel Engines' CTM.)
27. Install dash panels.
28. Install exhaust. (See [Service Exhaust System, Stage III](#) [A Service Exhaust System, Stage III Bin Section 30, Group 15.](#))
29. Install tool box and side grille panels.
30. Connect battery negative (—) cable to battery.
31. Install hood. (See [Remove and Install Hood](#) in Section 80, Group 25.)
32. Perform engine performance testing using relevant diagnostic technical manual.

NM61126,000035E-19-20170213



Thank you very much  
for your reading.  
Please click here  
to get more information.