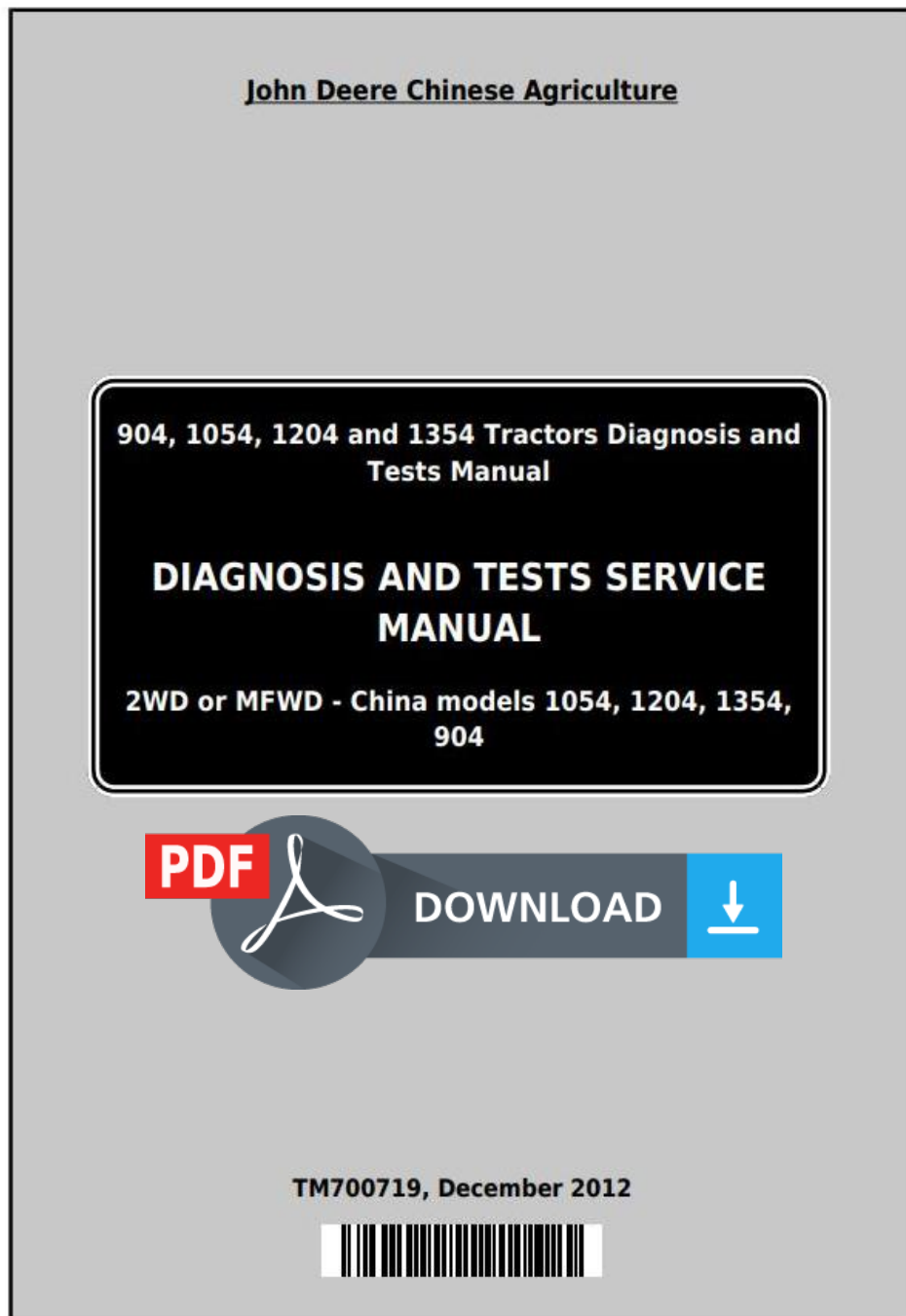


John Deere Tractors 5403, 5600, 5603, 5605, 5700, 5705 (South America) Diagnostic, Tests Service Manual (TM8138)



Covers: 5403,5600,5700,5603,5605,5705

Type: Service Manual

Language: English

Pages: 923

Format: PDF

Features: Bookmarked, searchable, printable

Compatibility: Windows/Mac/Tablet/Mobile

This service manual contains important information for the maintenance, troubleshooting and servicing of the **John Deere Tractors 5403, 5600, 5603, 5605, 5700, 5705 (South America) Diagnostic, Tests Service Manual (TM8138)**

In this manual you will find detailed specifications, illustrations, schematics, diagrams and step-by-step procedures to properly service and diagnose the machine to the manufacturer's standards.

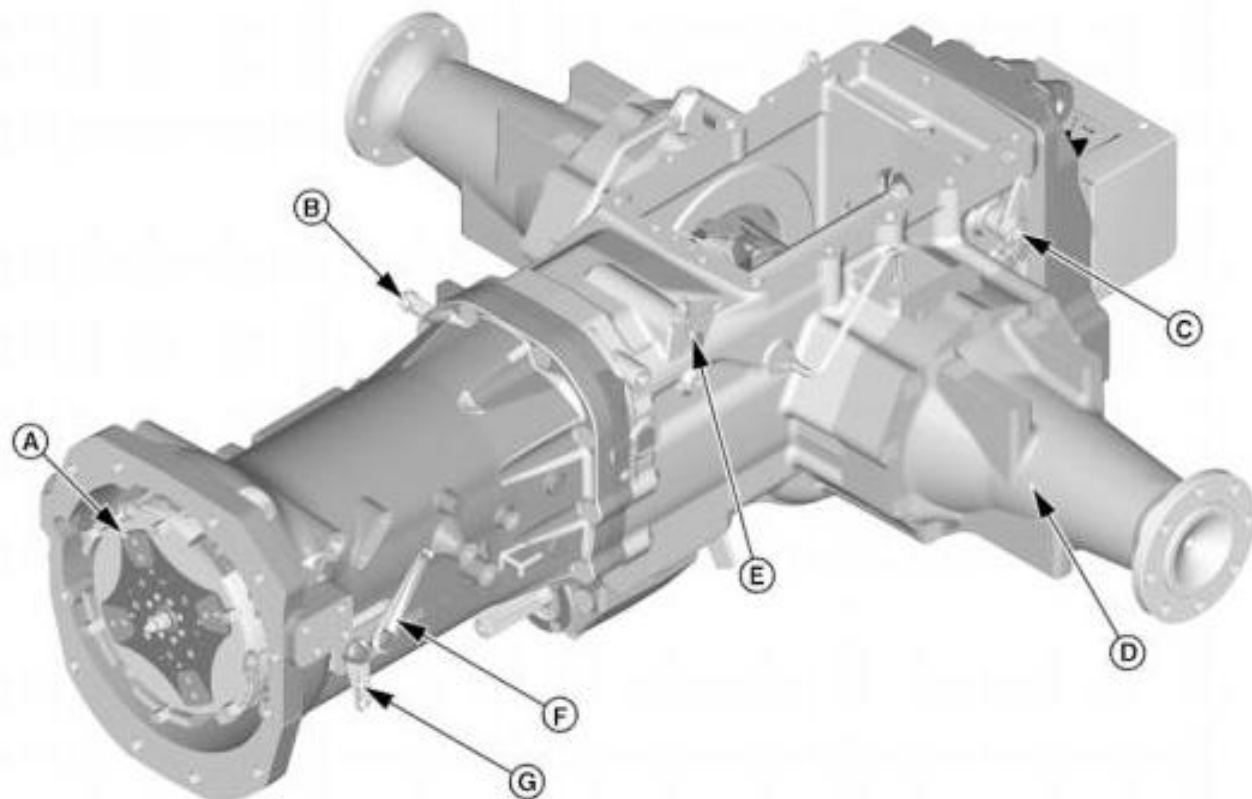
Contents:

- General Information
- Specifications
- Serial Number Location
- Engine Specifications
- Engine Diagnostics
- Engine Tests and Adjustments
- Engine Repair
- Power Train
- Transmission
- Axles
- Differential
- PTO
- Hydraulic System
- Electrical System
- Electrical Tests and Diagnostics
- Wiring Diagram / Schematic
- Ignition and Charging
- Steering
- Brakes
- Wheels
- Operator's Platform
- Body Panels
- Disassembly and Assembly
- Diagnostics, Tests and Adjustments
- Troubleshooting
- and much more...

Please note this manual is in **downloadable PDF format only**. If you have any questions about this product or would like to request sample pages, please contact us and reference the product name or SKU.

Group 15E - Collar Shift Transmission Diagnostics

Collar Shift Transmission Theory of Operation



PUC3832

Power Train Complete (Dry clutch shown)

LEGEND:

A	Dry Clutch
B	Gear Shift Linkage
C	Left-Hand Brake Linkage
D	Final Drive and Axle
E	Range Lever Linkage
F	Traction Clutch Linkage
G	PTO Clutch Linkage

The collar shift transmission is a manually operated transmission with three range gears, three forward gears, and one reverse gear. The three range, three forward gears, and one reverse gear combine for nine forward speeds and three reverse speeds.



Thank you very much
for your reading.
Please click here
to get more information.