


John Deere Tractors 5425, 5425HC, 5425N, 5625, 5625HC, 5725, 5725N Diagnostic Service Manual (TM6033)

524K 4WD Loader with
Engine 6068HDW74 (T3)
Diagnostic





OPERATION AND TEST MANUAL

4WD loaders with Engine 6068HDW74 (T3) models 524K (SN. before 642245)


TM10686 22 FEB 16 (ENGLISH)

For complete service information also see:

JDLINK (MTG) Technical Manual	TM114519
524K 4WD Loader with Engine 6068HDW74 Repair	TM10687
PowerTech E 4.5 and 6.8L Diesel Engines Level 16 Electronic Fuel System With Denso HPCR	CTM502
TMIV1200 - 1400 Series Inboard Pumps	CTM442
PowerTech 4045, 4045L, 4045LX Diesel Engines Level 16 Electronic Fuel System With Denso High Pressure Fuel System	CTM502
Super Caddy Oil Cleanup Kit	
120 Series Hydraulic Cylinders	
120 Series Hydraulic Cylinders	
125 Series Hydraulic Cylinders	CTM109319
PowerTech 4.5L & 6.8L Diesel Engines Tier 1/Stage I, Tier 2/Stage II, Tier 3/Stage IIIA, Tier 3/Stage IIA Tier 3/Stage III, (Base Engine)	CTM104
JDLINK/ZXLINK Machine Monitoring System	CTM10006

PDF  **DOWNLOAD** 

John Deere Construction and Forestry
Printed by Belgreen



TM10686

Covers: 5725,5725N,5725HC,5425,5425HC,5425N,5625,5625HC

Type: Service Manual

Language: English

Pages: 1445

Format: PDF

Features: Bookmarked, searchable, printable

Compatibility: Windows/Mac/Tablet/Mobile

This service manual contains important information for the maintenance, troubleshooting and servicing of the **John Deere Tractors 5425, 5425HC, 5425N, 5625, 5625HC, 5725, 5725N Diagnostic Service Manual (TM6033)**

In this manual you will find detailed specifications, illustrations, schematics, diagrams and step-by-step procedures to properly service and diagnose the machine to the manufacturer's standards.

Contents:

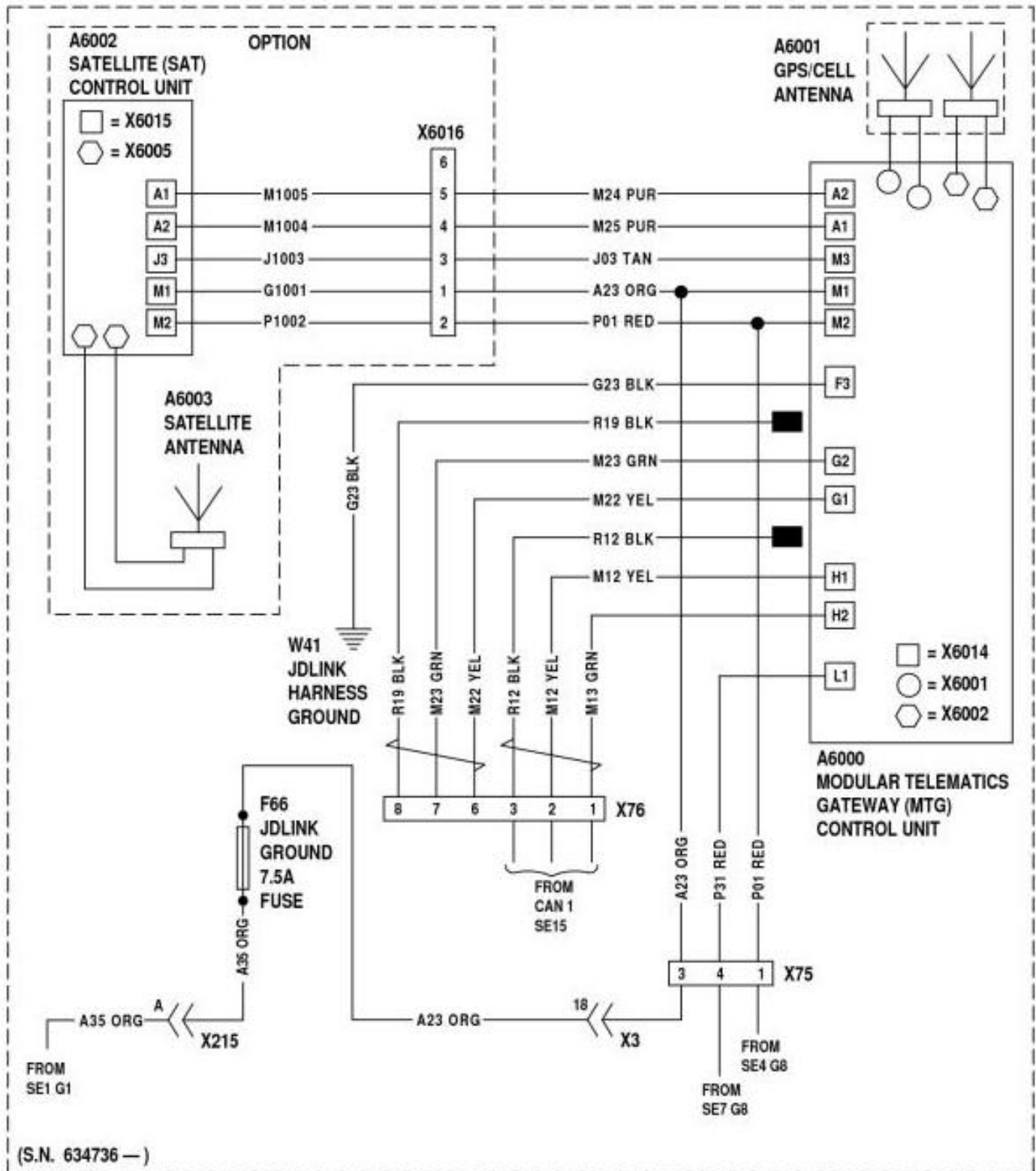
- General Information
- Specifications
- Serial Number Location
- Engine Specifications
- Engine Diagnostics
- Engine Tests and Adjustments
- Engine Repair
- Power Train
- Transmission
- Axles
- Differential
- PTO
- Hydraulic System
- Electrical System
- Electrical Tests and Diagnostics
- Wiring Diagram / Schematic
- Ignition and Charging
- Steering
- Brakes
- Wheels
- Operator's Platform
- Body Panels
- Disassembly and Assembly
- Diagnostics, Tests and Adjustments
- Troubleshooting
- and much more...

Please note this manual is in **downloadable PDF format only**. If you have any questions about this product or would like to request sample pages, please contact us and reference the product name or SKU.

JDLink™ System Functional Schematic—MTG/SAT

Machine may be equipped with one of two different JDLink™ systems. See [JDLink™ System Identification](#). (Group 9015-20.)

JDLink™ System Functional Schematic—If Equipped (S.N 634736—)



SE49

524K SYSTEM FUNCTIONAL SCHEMATIC (17 OF 17)

TX1084643

JDLink™ System Functional Schematic (SE49)

LEGEND:



Thank you very much
for your reading.
Please click here
to get more information.