

# John Deere Tractors 5620, 5720, 5820 Diagnostic and Tests Service Manual (TM4791)

## 7715, 7815 Tractors - Repair

### REPAIR MANUAL

7715, 7815 (S.N. 070001-)

TM2190 10AUG07 (ENGLISH)

For complete service information also see:

7715 and 7815 Tractors Operation and Test TM2516

Alternators and Starting Motors CTM77

OEM Engine Accessories CTM67

PowerTech 4.5L and 6.8L Diesel Engines  
Level 12 Electronic Fuel System With  
Stanadyne DE10 Pump CTM331

PowerTech 4.5L & 6.8L Diesel Engines Tier  
1/Stage I, Tier 2/Stage II, Tier 3/Stage IIA  
(Engine) CTM104

PDF



DOWNLOAD



John Deere Agriculture

Covers: 5620,5720,5820

**Type:** Service Manual

**Language:** English

**Pages:** 1572

**Format:** PDF

**Features:** Bookmarked, searchable, printable

**Compatibility:** Windows/Mac/Tablet/Mobile

This service manual contains important information for the maintenance, troubleshooting and servicing of the **John Deere Tractors 5620, 5720, 5820 Diagnostic and Tests Service Manual (TM4791)**

In this manual you will find detailed specifications, illustrations, schematics, diagrams and step-by-step procedures to properly service and diagnose the machine to the manufacturer's standards.

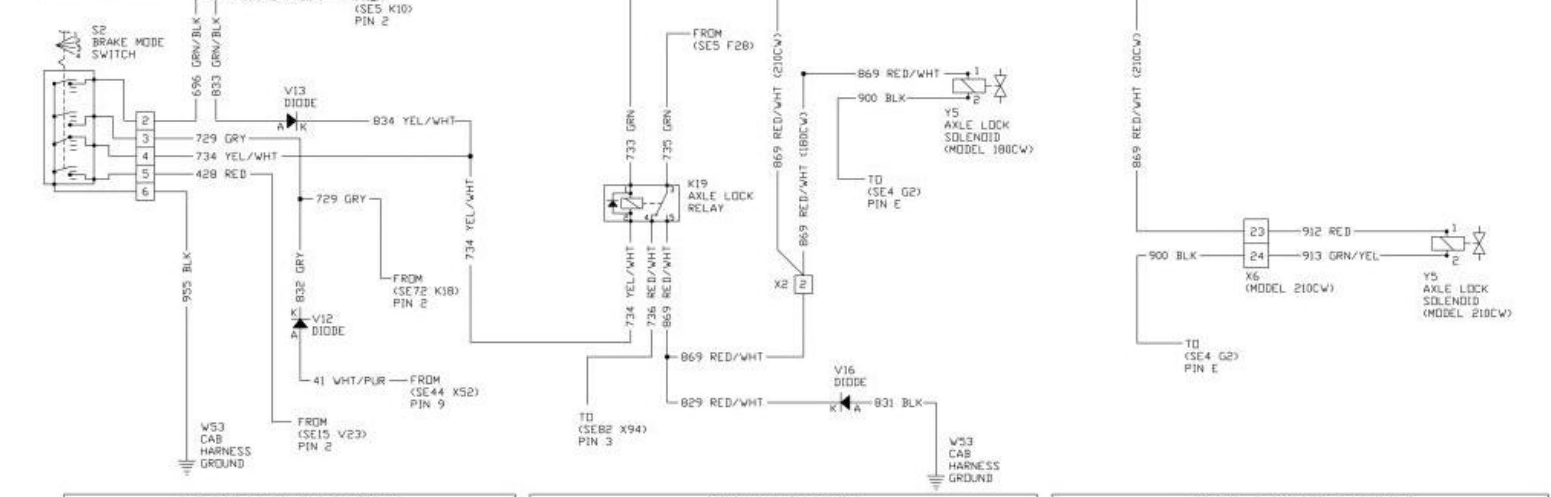
**Contents:**

- General Information
- Specifications
- Serial Number Location
- Engine Specifications
- Engine Diagnostics
- Engine Tests and Adjustments
- Engine Repair
- Power Train
- Transmission
- Axles
- Differential
- PTO
- Hydraulic System
- Electrical System
- Electrical Tests and Diagnostics
- Wiring Diagram / Schematic
- Ignition and Charging
- Steering
- Brakes
- Wheels
- Operator's Platform
- Body Panels
- Disassembly and Assembly
- Diagnostics, Tests and Adjustments
- Troubleshooting
- and much more...

Please note this manual is in **downloadable PDF format only**. If you have any questions about this product or would like to request sample pages, please contact us and reference the product name or SKU.

System Functional Schematic (Circuits SE10-SE12)

POSITION	6	2	3	4	5
OFF	•	•	•	•	•
AXLE LOCK	•	•	•	•	•
PARK	•	•	•	•	•
WORK	•	•	•	•	•



T209001 SE10 BRAKE MODE SWITCH CIRCUIT SE11 AXLE LOCK CIRCUIT 180CW AND 210CW SYSTEM FUNCTIONAL SCHEMATIC SE12 AXLE LOCK CIRCUIT CONTINUED

System Functional Schematic (Circuits SE10-SE12) (Sheet 1 of 2)



Thank you very much  
for your reading.  
Please click here  
to get more information.