

John Deere Tractors 6120,6220, 6320,6420, 6120L,6220L, 6320L,6420L,6520L Diagnostic Service Manual TM4733

**3154G Forestry
Excavator Repair**
(PIN: 1FF3154G__D310001—)



JOHN HARE



COLLECTION

REPAIR TECHNICAL MANUAL 3154G Forestry Excavator (PIN: 1FF3154G_ _D310001—)

TM14028X19 01DEC18 (ENGLISH)

For complete service information also see:

3154G Forestry Excavator Operators Manual..... OMT351628X19
3154G Forestry Excavator Operation and Test..... TM14027X19
PowerTech 6090 Diesel Engine Level 14 ElectronicFuel
System with the Denso High Pressure Compressor..... 85
(HPCR) Level 14 ECU.....



Worldwide Construction and
Forestry Division

Covers: 6120,6220,6320,6420,6120L,6220L,6320L,6420L,6520L

Type: Service Manual

Language: English

Pages: 2199

Format: PDF

Features: Bookmarked, searchable, printable

Compatibility: Windows/Mac/Tablet/Mobile

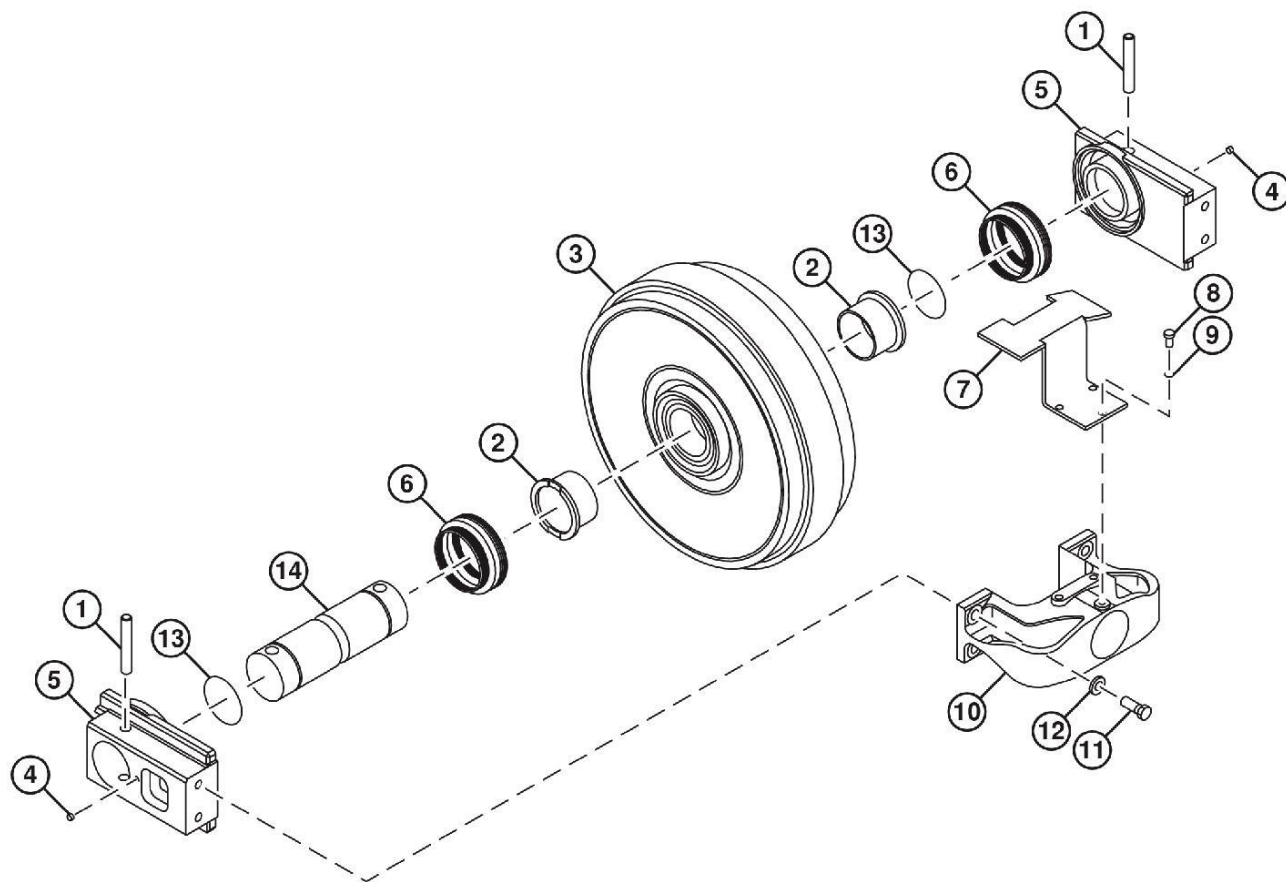
This service manual contains important information for the maintenance, troubleshooting and servicing of the **John Deere Tractors 6120,6220, 6320,6420, 6120L,6220L, 6320L,6420L,6520L Diagnostic Service Manual TM4733**

In this manual you will find detailed specifications, illustrations, schematics, diagrams and step-by-step procedures to properly service and diagnose the machine to the manufacturer's standards.

Contents:

- General Information
- Specifications
- Serial Number Location
- Engine Specifications
- Engine Diagnostics
- Engine Tests and Adjustments
- Engine Repair
- Power Train
- Transmission
- Axles
- Differential
- PTO
- Hydraulic System
- Electrical System
- Electrical Tests and Diagnostics
- Wiring Diagram / Schematic
- Ignition and Charging
- Steering
- Brakes
- Wheels
- Operator's Platform
- Body Panels
- Disassembly and Assembly
- Diagnostics, Tests and Adjustments
- Troubleshooting
- and much more...

Please note this manual is in **downloadable PDF format only**. If you have any questions about this product or would like to request sample pages, please contact us and reference the product name or SKU.



1. **TX1226954**

TX1226954-UN: Front Idler Assembly

LEGEND:

1-Pin (2 used)

2-Bushing (2 used)

3-Idler

4-Plug (2 used)

5-Bracket (2 used)

6-Metal Face Seal (2 used)

7-Guard

Remove plug (4).

8-Cap Screw (3 used)

9-Lock Washer (3 used)

10-Yoke

11-Cap Screw (4 used)

12-Lock Washer (4 used)

13-O-Ring (2 used)

14-Axle

2. Fill front idler to specification.

Item	Measurement	Specification
Front Idler (engine oil SAE 30)	Capacity (approximate)	300 mL 10 oz



Thank you very much
for your reading.
Please click here
to get more information.